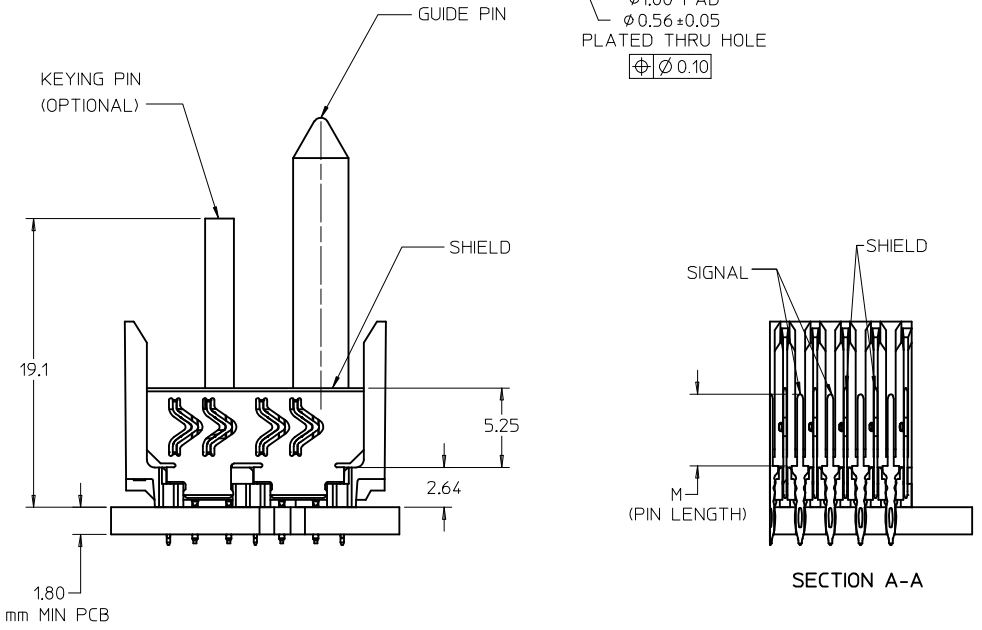
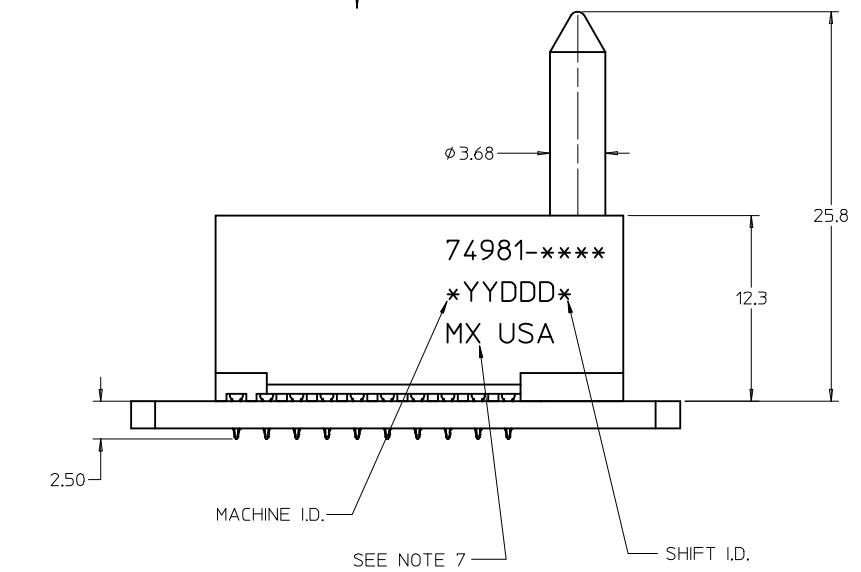
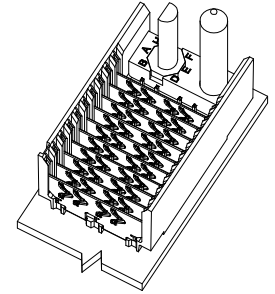


BACKPLANE HOLE PATTERN  
RECOMMENDED DIMENSIONS

$\phi 0.66$  DRILL  
 $\phi 1.00$  PAD  
 $\phi 0.56 \pm 0.05$   
 PLATED THRU HOLE  
 $\phi \pm 0.10$

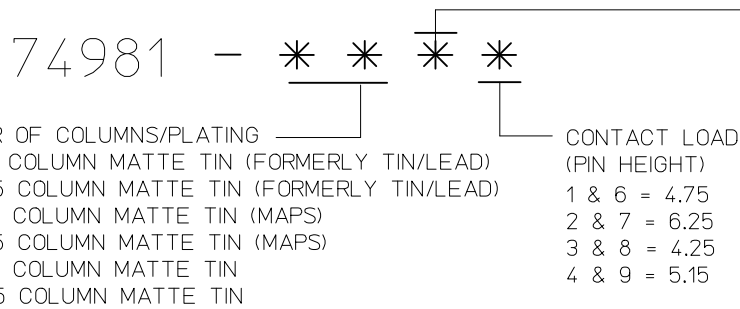
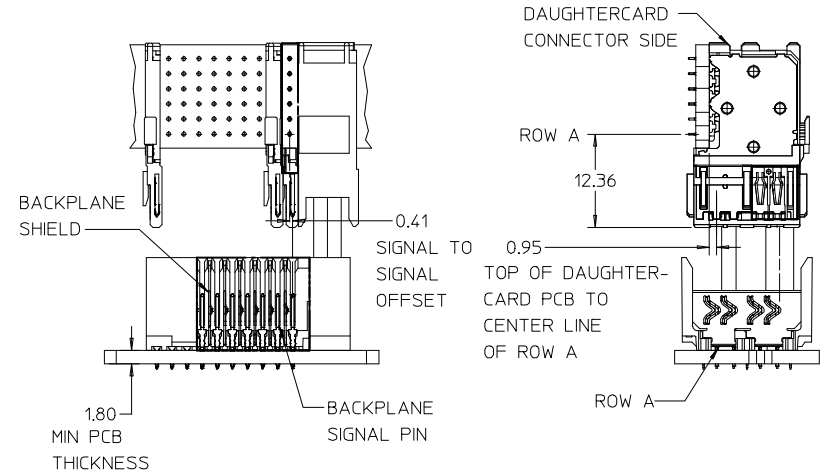


- NOTES:
1. MATERIAL: HOUSING-LIQUID CRYSTAL POLYMER (LCP) GLASS-FILLED. UL 94V-0. COLOR-BLACK. SIGNAL AND SHIELD - HIGH PERFORMANCE COPPER ALLOY.
  2. FINISHES:  
CONTACT AREA: SELECTIVE GOLD (Au)  
PCB TAILS: SELECTIVE MATTE TIN (Sn)  
NICKEL (Ni) OVERALL.
  3. THIS PART CONFORMS TO MOLEX PRODUCT SPECIFICATION PS-74031-999.
  4. FOR MIXED CONTACT LENGTHS - CONSULT MOLEX FOR AVAILABILITY.
  5. FOR SPECIFIC PART NUMBER AND MATING INFORMATION REFER TO SHEET 2.
  6. PACKAGE PER PK-74058-003.
  7. MARK PART NUMBER AND DATE CODE APPROXIMATELY WHERE SHOWN
  8. MAPS (MOLEX ADVANCED PLATING SYSTEM).

THE PRIMARY CARTON WITH A LABEL STATING "ELV AND RoHS COMPLAINT" IS LEAD FREE. CARTONS WITHOUT THIS LABEL MAY CONTAIN LEAD.

<b>LEAD FREE CONVERSION</b> EC NO: UCP2013-0687 DRWNGES 2012/08/22 CHKD:MMOLFE 2012/11/27 APPR:SMILLER 2012/12/14	QUALITY SYMBOLS $\nabla = 0$ $\nabla = 0$ $\nabla = 0$	GENERAL TOLERANCES (UNLESS SPECIFIED)		DIMENSION STYLE <b>MM ONLY</b>		SCALE <b>4:1</b>	DESIGN UNITS <b>METRIC</b>	THIRD ANGLE PROJECTION		
		mm	INCH	DRAWN BY NMARTIN	DATE 2002/09/06	<b>HSD SALES ASSEMBLY 6 ROW SHIELD END BACKPLANE</b>  <b>molex</b>				
		4 PLACES $\pm$ ---	$\pm$ ---	CHECKED BY SREED	DATE 2002/09/06					
		3 PLACES $\pm$ ---	$\pm$ ---	APPROVED BY CBIXLER	DATE 2002/09/06	MATERIAL NO. <b>SEE SHT.2</b>		DOCUMENT NO. <b>SD-74981-010</b>	SHEET NO. <b>1 OF 2</b>	
2 PLACES $\pm$ ---	$\pm$ ---	ANGULAR $\pm 1^\circ$		THIS DRAWING CONTAINS INFORMATION THAT IS PROPRIETARY TO MOLEX INCORPORATED AND SHOULD NOT BE USED WITHOUT WRITTEN PERMISSION						
1 PLACE $\pm$ ---	$\pm$ ---	DRAFT WHERE APPLICABLE MUST REMAIN WITHIN DIMENSIONS								
0 PLACE $\pm$	$\pm$									

PART NUMBER	COLUMN	NUMBER OF SIGNAL PIN	NUMBER OF SHIELD	A	B	M	GOLD THICKNESS MICROMETER	TIN THICKNESS MICROMETER	
<b>74981-60*1</b>	10	40	10	27.00	18.00	4.75	0.25 MAPS	0.76-1.52	
74981-*0*1							0.76		
74981-*0*6							1.27		
<b>74981-75*1</b>	25	100	25	57.00	48.00	0.25 MAPS	0.76-1.52		
74981-*5*1						0.76			
74981-*5*6						1.27			
<b>74981-60*2</b>	10	40	10	27.00	18.00	0.25 MAPS			0.76-1.52
74981-*0*2						0.76			
74981-*0*7						1.27			
<b>74981-75*2</b>	25	100	25	57.00	48.00	0.25 MAPS		0.76-1.52	
74981-*5*2						0.76			
74981-*5*7						1.27			
<b>74981-60*3</b>	10	40	10	27.00	18.00	0.25 MAPS	0.76-1.52		
74981-*0*3						0.76			
74981-*0*8						1.27			
<b>74981-75*3</b>	25	100	25	57.00	48.00	0.25 MAPS			0.76-1.52
74981-*5*3						0.76			
74981-*5*8						1.27			
<b>74981-60*4</b>	10	40	10	27.00	18.00	0.25 MAPS		0.76-1.52	
74981-*0*4						0.76			
74981-*0*9						1.27			
<b>74981-75*4</b>	25	100	25	57.00	48.00	0.25 MAPS	0.76-1.52		
74981-*5*4						0.76			
74981-*5*9						1.27			



P/N	---0*	---1*	---2*	---3*	---4*	---5*	---6*	---7*	---8*
74981-( )	0	A	B	C	D	E	F	G	H
KEYING PIN ORIENTATION									

<b>SEE SHEET 1</b> EC NO: UCP2013-0687 DRAWINGS 2012/08/22 CHKD:WOLFE 2012/11/27 APPR:SMILLER 2012/12/14 REV DESCRIPTION	QUALITY SYMBOLS	GENERAL TOLERANCES (UNLESS SPECIFIED)	DIMENSION STYLE	SCALE	DESIGN UNITS	THIRD ANGLE PROJECTION
	▽=0	mm INCH	MM ONLY	4:1	METRIC	
	▽=0	4 PLACES ± --- ± ---	DRAWN BY DATE	TITLE	DOCUMENT NO.	SHEET NO.
	▽=0	3 PLACES ± --- ± ---	NMARTIN 2002/09/06			
	2 PLACES ± --- ± ---	CHECKED BY DATE	<b>HSD SALES ASSEMBLY</b> <b>6 ROW SHIELD END</b> <b>BACKPLANE</b> 			
	1 PLACE ± --- ± ---	SREED 2002/09/06				
	0 PLACE ± ±	APPROVED BY DATE	SD-74981-010			
		CBI XLER 2002/09/06	2 OF 2			
			THIS DRAWING CONTAINS INFORMATION THAT IS PROPRIETARY TO MOLEX INCORPORATED AND SHOULD NOT BE USED WITHOUT WRITTEN PERMISSION			