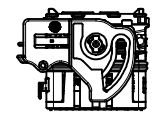
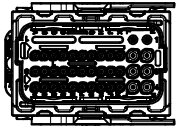
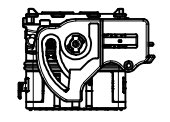


LINE N°1 CLOSED
YELLOW BACK GRID VERSION



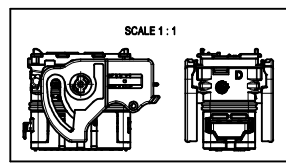
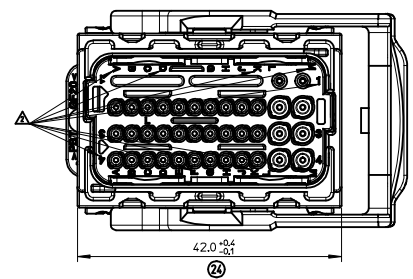
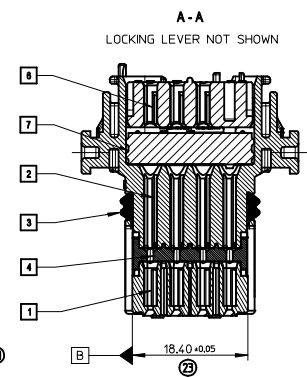
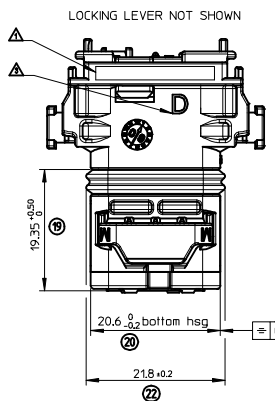
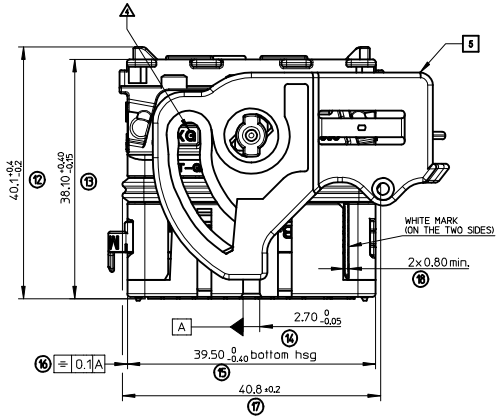
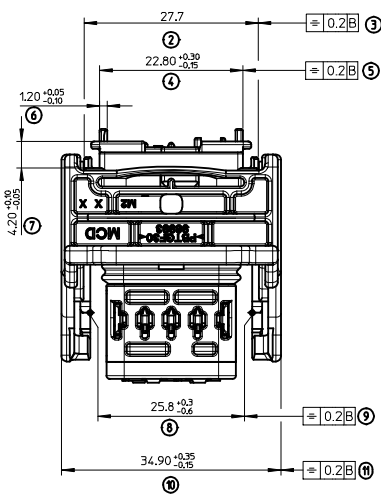
LEFT WIRE OUTPUT

MATERIAL NUMBER	COLOR
0643202311	BLACK
0643202319	BROWN



RIGHT WIRE OUTPUT

MATERIAL NUMBER	COLOR
0643204311	BLACK
0643204319	BROWN



NOTES:

- 1-FOR ILLUSTRATION PURPOSE THE FEMALE HOUSING SHOWN IS: THE RIGHT WIRE OUTPUT VERSION CODING 1
- 2-APPLICATION SPECIFICATION: AS-64319-002
- 3-WIRES EXTERNAL DIAMETER USED: FOR CP0.6 TERMINAL: USED WIRES WITH AN EXTERNAL DIAMETER BETWEEN Ø1.25MM MIN AND Ø1.90MM MAX FOR CP15 TERMINAL: USED WIRES WITH AN EXTERNAL DIAMETER BETWEEN Ø1.0MM MIN AND Ø2.80MM MAX
- 4-THE CONNECTOR FITS WITH WIRE CAP (48 WAY) MOLEX P/N 0643201901
- 5-BLIND PLUG FOR 0.6 AND 15 CAVITIES (MOLEX P/N 0643251010 AND 0643251023) MUST BE USED ON THIS PART.
- 6-DELIVERED PRODUCT WEIGHT: 33.8 g

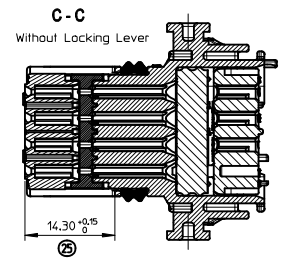
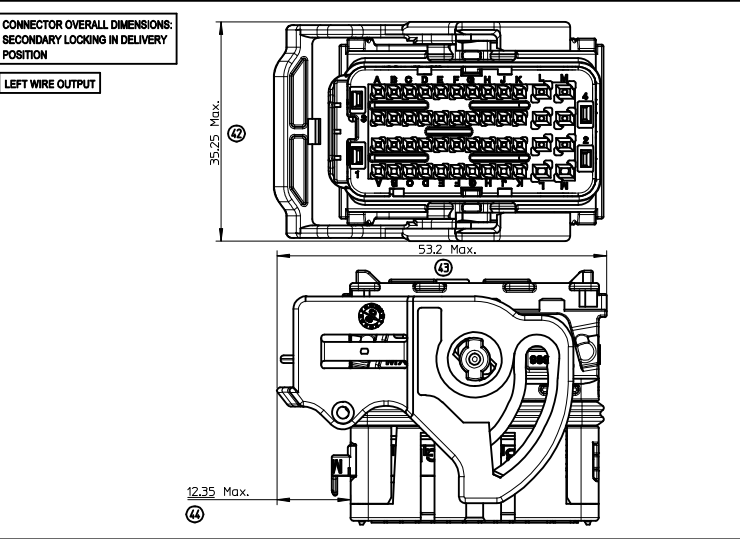
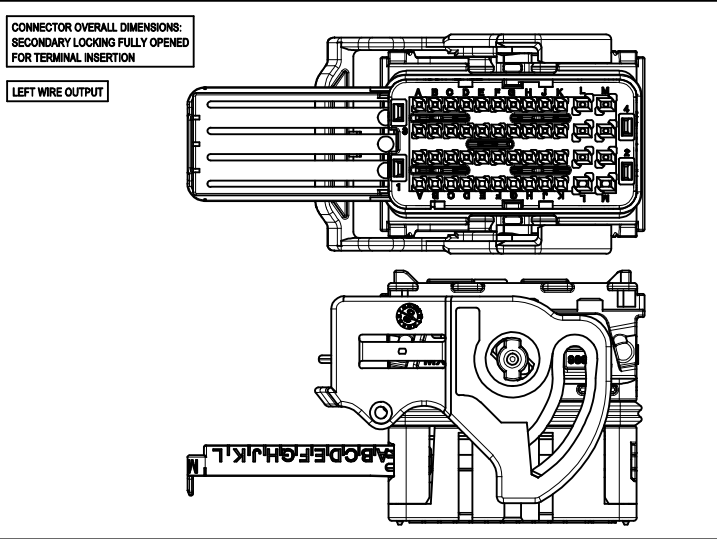
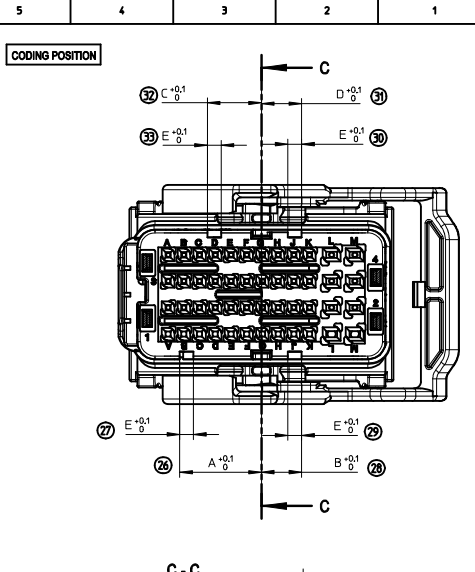
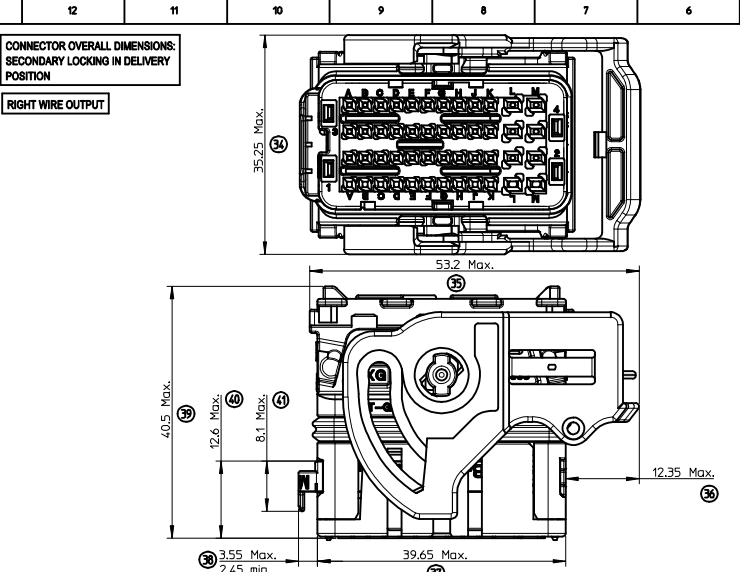
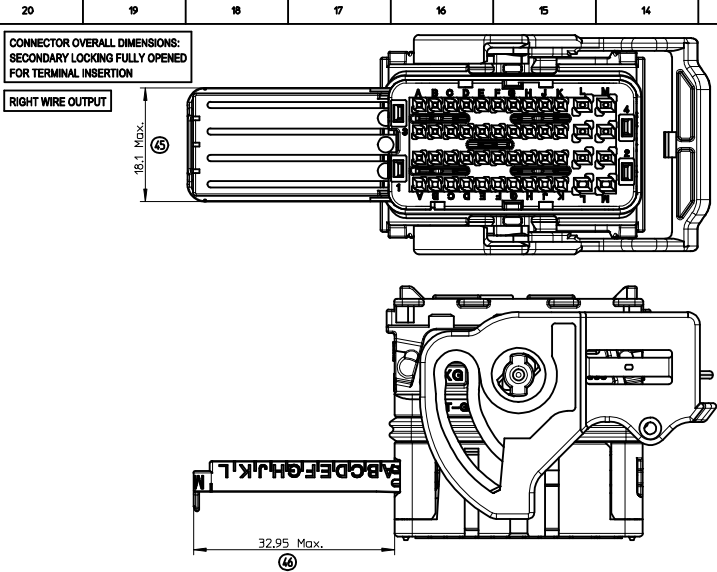
POS.	DESIGNATION	MATERIAL	COLOR
7	MAT SEAL	SILICON	RED
8	BACK GRID 36W	>PBT-GF20<	YELLOW
9	LOCKING LEVER 48W	>PBT-GF30<	BLACK
4	SECONDARY LOCK	>PBT-GF20<	GREY
3	PERIPHERAL SEAL 48W	SILICON	RED
2	BACK PART	>PBT-GF20<	BLACK
1	FRONT PART	>PBT-GF20<	COLOR LINKED TO KEYS

MARKINGS :

- ▲ - Assembled part tracability: Day + Year
- ▲ - Terminal cavities identification
- ▲ - Lever position indicator: "D" LETTER VISIBLE - Part with "LEVER ON THE RIGHT" "G" LETTER VISIBLE - Part with "LEVER ON THE LEFT"
- ▲ - Supplier identification
- ▲ - Material identification

APPL. SPEC. CHANGED IEC NO: G2016-0064 DRYNAPLESSIS 2015/11/30 CHYKOPPOURIN 2015/12/01 APPR: C. BOUCHAN 2015/12/02	QUALITY SYMBOLS (Symbol 1) (Symbol 2) (Symbol 3)	GENERAL TOLERANCES (UNLESS SPECIFIED)	DIMENSION STYLE MM ONLY	SCALE 2.5:1	DESIGN UNITS METRIC	FIRST ANGLE PROJECTION
		4 PLACES ± --- ± --- 3 PLACES ± --- ± --- 2 PLACES ± 0.1 ± --- 1 PLACE ± 0.1 ± --- 0 PLACE ± 0.1 ± ---	DRAWN BY: T. BADAROUX CHECKED BY: P. GRANDCLAUD APPROVED BY: C. BOUCHAN DATE: 2008/05/23	TITLE CMC CONNECTOR 36 WAY MAT SEAL VERSION	DOCUMENT NO. SD-64320-003	SHEET NO. 1 OF 2

DRAFT WHERE APPLICABLE MUST REMAIN WITHIN DIMENSIONS
 ANGULAR ± 2 °
 SEE CHART
 THIS DRAWING CONTAINS INFORMATION THAT IS PROPRIETARY TO MOLEX INCORPORATED AND SHOULD NOT BE USED WITHOUT WRITTEN PERMISSION



COLOR	KEYING	A	B	C	D	E
BLACK	1	13	6.4	8.6	6.4	2.2
GREY	2	10.8	8.6	13	8.6	2.2
BROWN	3	8.6	10.8	13	13	2.2
GREEN	4	10.8	13	6.4	6.4	2.2

TERMINALS USED

CAVITY #	FEMALE TERMINALS (Section mm2)	PLATING	MOLEX P/N	min / MAX WIRE INSULATION DIAMETER (mm)
A1 to K1 A2 to K2 A3 to K3 A4 to K4	CP 0.6 0.35mm2	Tin plated	0643221019	Ø1.25 min / Ø1.40 Max
		Gold plated	0643221229	
	CP 0.6 0.5mm2	Tin plated	0643221039	Ø1.40 min / Ø1.70 Max
		Gold plated	0643221239	
L1 to L4 M1 to M4	CP 0.6 0.75mm2	Tin plated	0643221029	Ø1.60 min / Ø1.90 Max
		Gold plated	0643221219	
	CP 1.5 0.5mm2 to 1mm2	Tin plated	0643231029	Ø1.40 min / Ø2.15 Max
		Gold plated	0643231319	
	CP 1.5 >1mm2 to 2mm2	Tin plated	0643231039	Ø2.10 min / Ø2.80 Max
		Gold plated	0643231219	

APPL. SPEC. CHANGED
EC NO: G2016-0064
DRAWN BY: DRWINPLESSIS 2015/11/30
CHKD BY: PGOUBRIN 2015/12/01
APPR: CBOUCHAN 2015/12/02

QUALITY SYMBOLS

GENERAL TOLERANCES (UNLESS SPECIFIED)

	mm	INCH
4 PLACES	± ---	± ---
3 PLACES	± ---	± ---
2 PLACES	± 0.1	± ---
1 PLACE	± 0.1	± ---
0 PLACE	± 0.1	± ---

ANGULAR ± 2 °
DRAFT WHERE APPLICABLE
MUST REMAIN WITHIN DIMENSIONS

DIMENSION STYLE
MM ONLY

DRAWN BY: T. BADAROUX 2008/05/23
CHECKED BY: DATE
APPROVED BY: P. GRANDCLAUD 2008/05/23
DATE
C. BOUCHAN 2008/05/23

SCALE: 2.5:1
DESIGN UNITS: METRIC
FIRST ANGLE PROJECTION

TITLE: CMC CONNECTOR 36 WAY MAT SEAL VERSION

SEE SHEET 1

MATERIAL NO.
DOCUMENT NO. SD-64320-003

SHEET NO. 2 OF 2

THIS DRAWING CONTAINS INFORMATION THAT IS PROPRIETARY TO MOLEX INCORPORATED AND SHOULD NOT BE USED WITHOUT WRITTEN PERMISSION