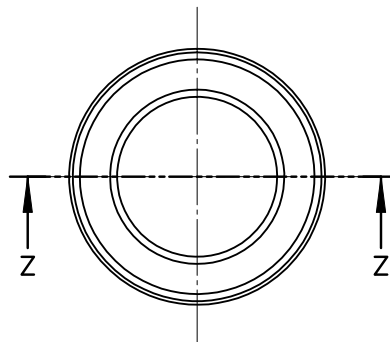


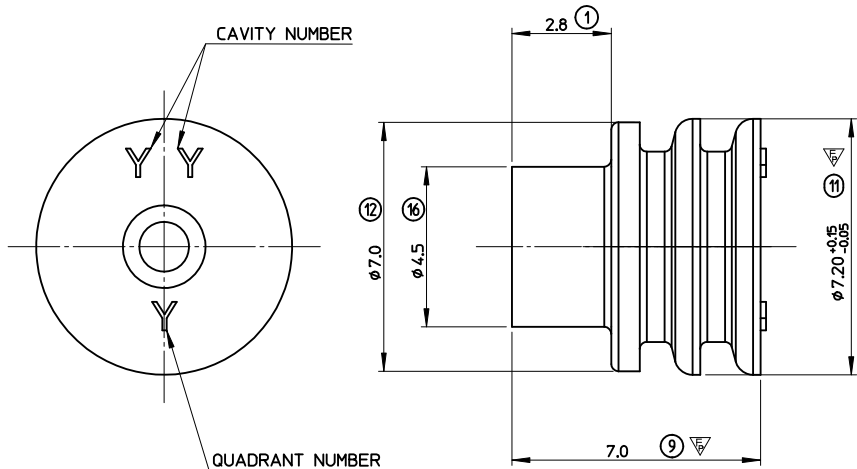
No flash, no cut, no less material,
no deformation on seal lips

Z-Z



Z

Z



MATERIAL SPECIFICATION : SILICON ELASTOMER TYPE LSR 50+5 SHORE A ,
SELF BLEEDING OIL CONTENT : 0%

LOOSE PACKAGING		
50 000 seals (5 bags of 10 000 seals) / cardboard box.		
PACKAGING CODE : GALIA A12		
0643251091	BLACK	0.19
MOLEX PART NUMBER	COLOUR	CALCULATED WEIGHT (g)

REVIEW ALL NOTES EC NO: G2010-0160 DRWN:PECHELE 2010/03/16 CHKD:OPLESSIS 2011/10/20 APPR:CBOUCHAN 2011/12/06	QUALITY SYMBOLS	GENERAL TOLERANCES (UNLESS SPECIFIED)		DIMENSION STYLE	SCALE	DESIGN UNITS	FIRST ANGLE PROJECTION
	▽=0	mm	INCH	MM ONLY	10:1	METRIC	
	▽=0	4 PLACES ± --- ± ---	DRAWN BY	DATE	TITLE		
	▽=3	3 PLACES ± --- ± ---	VGUERIN	2007/07/13	WIRE SEAL PLUG RCPT TERM		
	2 PLACES ± --- ± ---	CHECKED BY	DATE	MOLEX INCORPORATED			
	1 PLACE ± 0.15 ± ---	FPAROLARI	2007/07/14				
	ANGULAR ± 3 °	APPROVED BY	DATE	MATERIAL NO.		DOCUMENT NO.	
	DRAFT WHERE APPLICABLE MUST REMAIN WITHIN DIMENSIONS	LSTICKEIR	2007/07/14	0643251091		SD-64325-004	
		SIZE		THIS DRAWING CONTAINS INFORMATION THAT IS PROPRIETARY TO MOLEX INCORPORATED AND SHOULD NOT BE USED WITHOUT WRITTEN PERMISSION			
		A 2				SHEET NO. 1 OF 1	