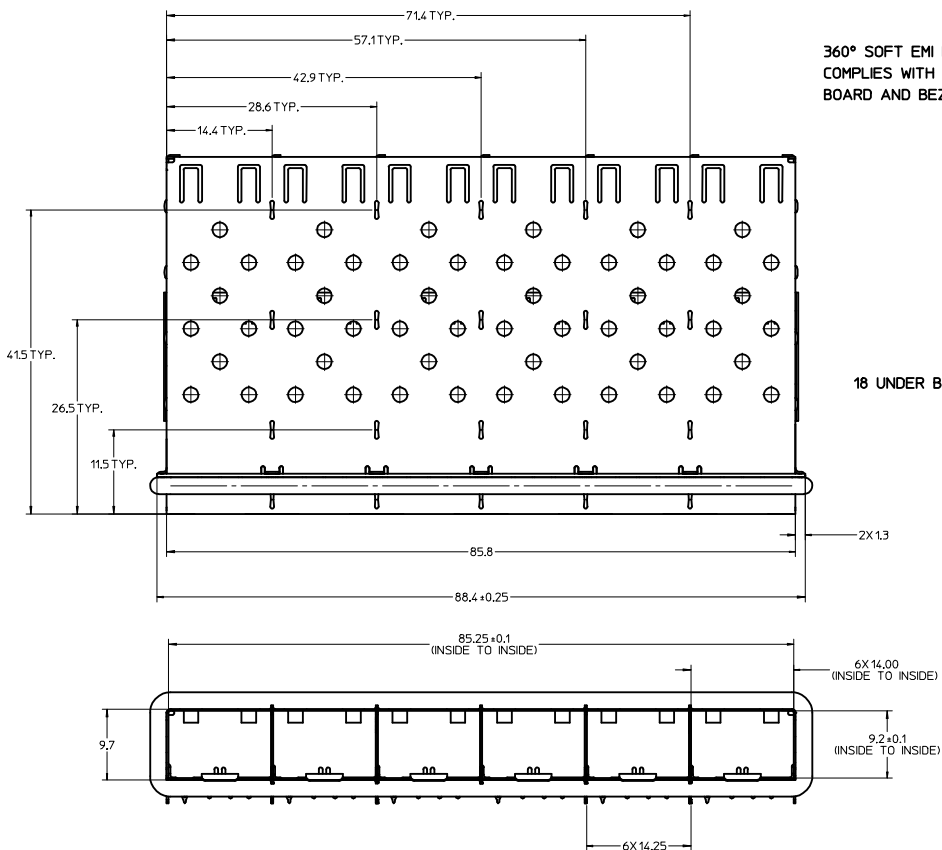


3D MODEL: EM-74747-001_ASSY



360° SOFT EMI BEZEL GASKET COMPLIES WITH (SFP) MSA BOARD AND BEZEL LOCATIONS

18 UNDER BELLY EMI PINS

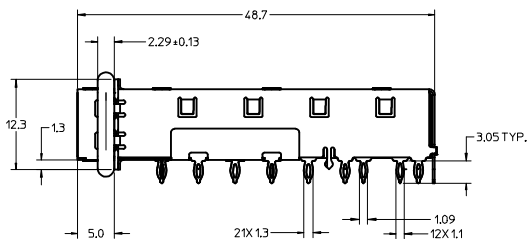
EMI FINGERS CONTACT ADAPTER

INNER WALL TABS ARE COINED OVER BASE AND COVER FOR RIGIDITY

TABS USED TO ATTACH LIGHT PIPE COVER

GASKET SEAM LOCATED ON SIDE OF CAGE

DIMENSIONS OF EACH INNER CAGE DESIGNED TO FUNCTION WITH SMALL FORM-FACTOR PLUGGABLE (SFP) TRANSCEIVER



PART NO AND WEEK/YEAR DATE CODE TO BE PRINTED ON BACK OF COMPLETED CAGE ASSEMBLY AS SHOWN USING INK OART NO. 16-8420 SEE TABLE FOR DATE CODE INFORMATION.

NOTES:

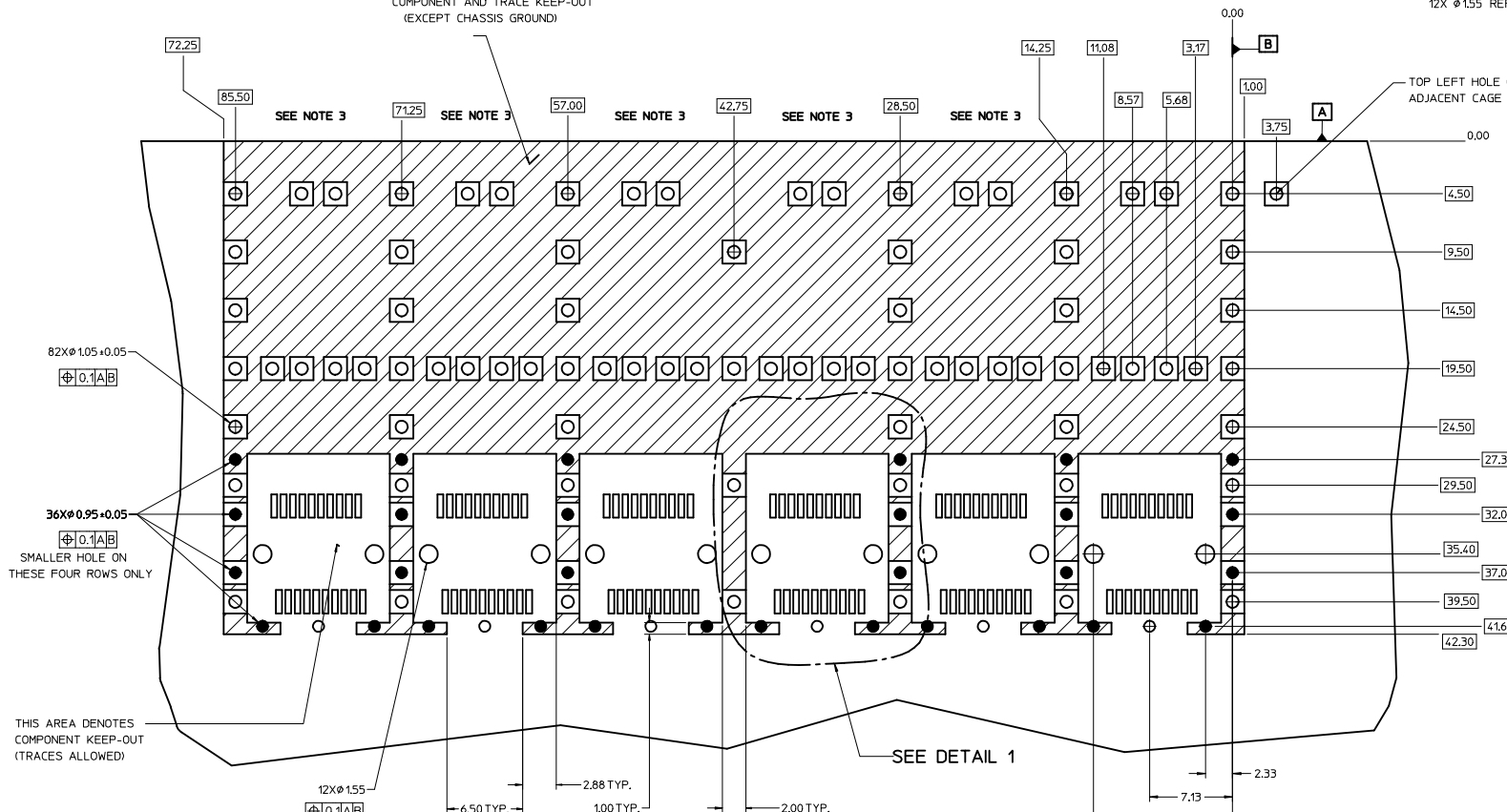
- PRESS FIT LEGS 3.05mm* LONG-
1.57 MINIMUM PCB THICKNESS FOR SINGLE SIDED USE.
3.00 MINIMUM PCB THICKNESS FOR BELLY TO BELLY USE.
INSERTION FORCE INTO PCB: <100 LBS.
- MATERIAL: COPPER ALLOY
PLATING: PRE-PLATED NICKEL
- REFERENCE DOCUMENTS:
PRODUCT SPECIFICATION: PS-74728-000
COSMETIC SPECIFICATIONS: WI-HP-7-2774 AND WI-HPA-7-0093
- MATES WITH SERIES 74748, LIGHT PIPE COVER ASSEMBLY.
- No RoHS EXEMPTIONS

DATE	WEEK/YEAR	DATE CODE	TABLE
WK	01 THRU 52	EXAMPLE: 01 =	FIRST WEEK OF YEAR 52 = LAST WEEK OF YEAR
YR	16, 17, 18, ETC.	EXAMPLE: YEAR 2016 =	16

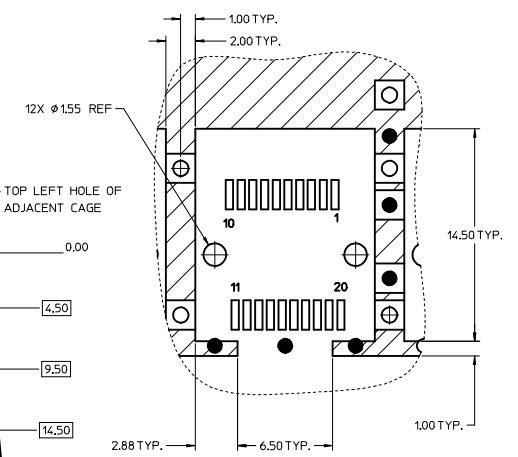
ENTER DESCRIPTION EC NO: CPG2016-3795 DRWN: HCHANG04 2016/04/21 CHKD: APPR: RCHEN08 2016/04/26 REV	QUALITY SYMBOLS ∇=0 ∇=0 ∇=0	GENERAL TOLERANCES (UNLESS SPECIFIED) mm INCH 4 PLACES ± --- ± --- 3 PLACES ± --- ± --- 2 PLACES ± 0.13 ± --- 1 PLACE ± 0.18 ± --- 0 PLACE ± ±	DIMENSION STYLE MM ONLY	SCALE 3:1	DESIGN UNITS METRIC	THIRD ANGLE PROJECTION
	DRAWN BY: KSI MONSO CHECKED BY: BRUSSELL APPROVED BY: BRUSSELL	DATE: 2004/07/08 DATE: 2004/07/08 DATE: 2004/07/08	MATERIAL NO. 747470001	TITLE 1X6 SFP GANGED CAGE ASSEMBLY, W/090 OD GASKET	DOCUMENT NO. SD-74747-001	SHEET NO. 1 OF 5

PCB LAYOUT FOR BELLY TO BELLY MOUNTING

CROSS-HATCHED AREA DENOTES
COMPONENT AND TRACE KEEP-OUT
(EXCEPT CHASSIS GROUND)



HOST CONNECTOR DETAIL



Detail
SCALE 6:1

- 1.PADS AND VAIS GO CHASSIS GROUND, (94 PLACES).
RECOMMENED PADS TO BE 2mm SQUARE
- 2.PLATING OPTIONAL FOR THROUGH GOLES, (24 PLACES).
- 3.HOLE PATTERN REPEATS FOR EACH PORT.
SPACING BETWEEN PORTS IS 14.25mm.
- 4.CONNECTOR PAD LAYOUT PER SFP MSA WILL ACCOMMODATE
MOLEX CONNECTOR SERIES 74441 OR EQUIVALENT

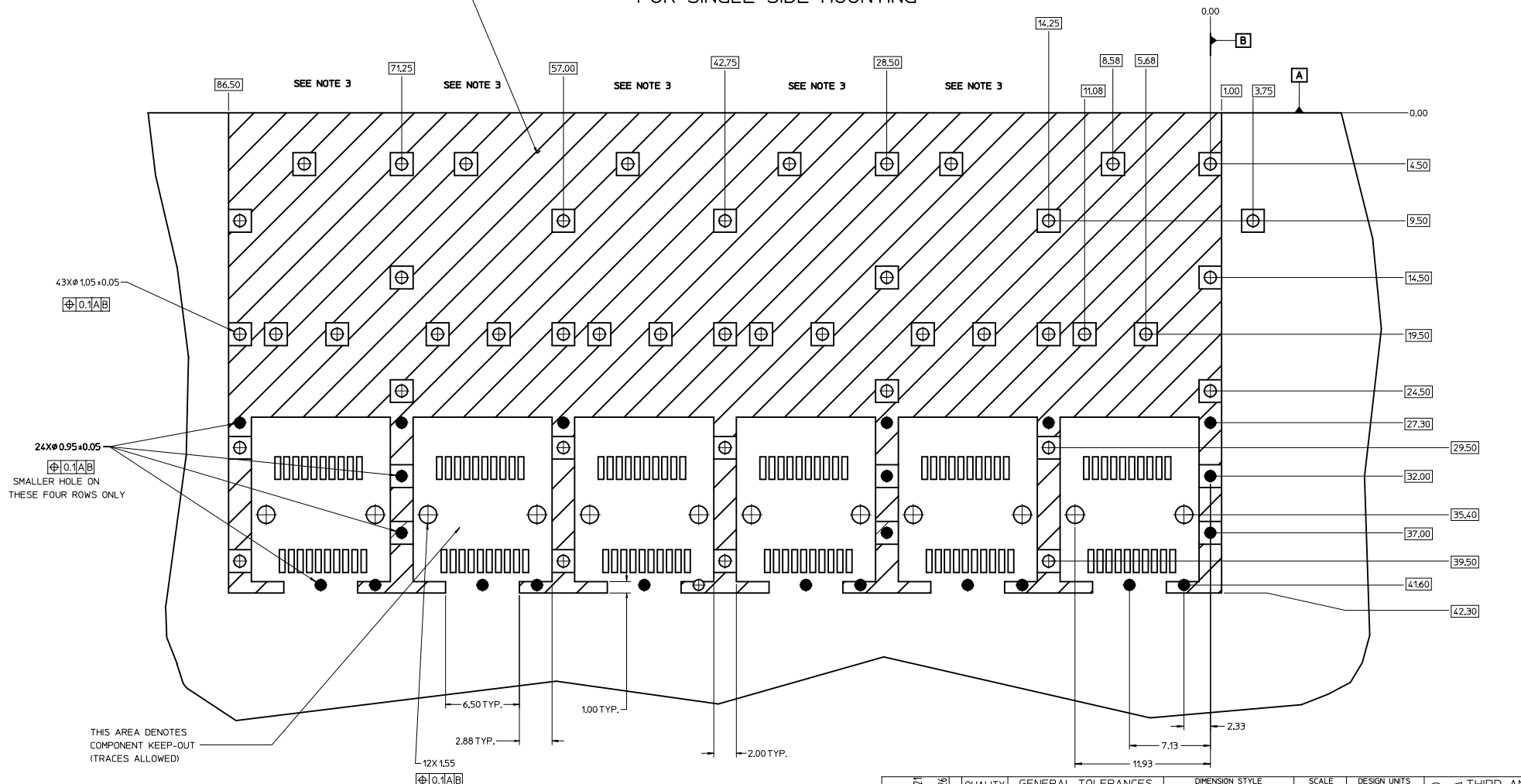
SEE DETAIL 1

ENTER DESCRIPTION EC NO: CPG2016-3795 DRAWN: CHANG04 2016/04/21 CHKD: APPR: RCHEN08 2016/04/26 REV:	QUALITY SYMBOLS ∇=0 ∇=0 ∇=0	GENERAL TOLERANCES (UNLESS SPECIFIED) 4 PLACES ± --- ± --- 3 PLACES ± --- ± --- 2 PLACES ± 0.13 ± --- 1 PLACE ± 0.18 ± --- 0 PLACE ± ±	DIMENSION STYLE MM ONLY	SCALE 5:1	DESIGN UNITS METRIC	THIRD ANGLE PROJECTION	
	MATERIAL NO. 747470001	DOCUMENT NO. SD-74747-001	TITLE 1X6 SFP GANGED CAGE ASSEMBLY, W/ .090 OD GASKET	molex			
	DRAFT WHERE APPLICABLE MUST REMAIN WITHIN DIMENSIONS		THIS DRAWING CONTAINS INFORMATION THAT IS PROPRIETARY TO MOLEX INCORPORATED AND SHOULD NOT BE USED WITHOUT WRITTEN PERMISSION				
	SHEET NO. 2 OF 5						

PCB LAYOUT FOR SINGLE SIDE MOUNTING

20 19 18 17 16 15 14 13 12 11 10 9 8 7 6 5 4 3 2 1

CROSS-HATCHED AREA DENOTES
COMPONENT AND TRACE KEEP-OUT
(EXCEPT CHASSIS GROUND)



- NOTES:**
1. PADS AND VIAS GO TO CHASSIS GROUND. (48 PLACES).
RECOMMENDED PADS TO BE 2mm SQUARE.
 2. PLATING OPTIONAL FOR THROUGH HOLES. (18 PLACES).
 3. HOLE PATTERN REPEATS FOR EACH PORT.
SPACING BETWEEN PORTS IS 14.25mm.

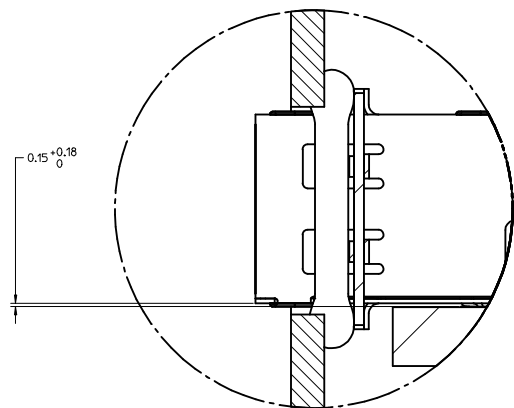
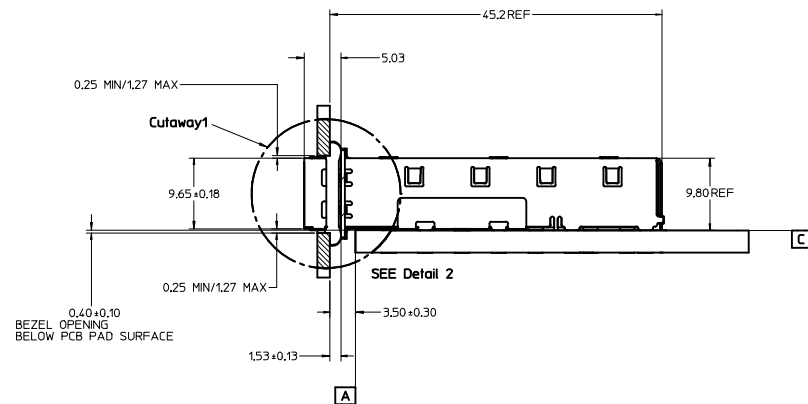
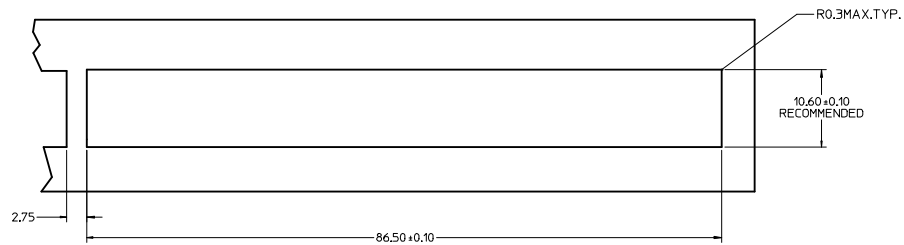
ENTER DESCRIPTION EIC NO: CPG2016-3795 CHYD: DRWN: HCHANG04 2016/04/21 APPR: RCHEN08 2016/04/26	QUALITY SYMBOLS ▽=0 ▽=0 ▽=0	GENERAL TOLERANCES (UNLESS SPECIFIED) mm INCH 4 PLACES ± 0.13 ± 0.005 3 PLACES ± 0.13 ± 0.005 2 PLACES ± 0.18 ± 0.007 1 PLACE ± 0.18 ± 0.007 0 PLACE ± 0.18 ± 0.007	DIMENSION STYLE MM ONLY	SCALE 6:1	DESIGN UNITS METRIC	THIRD ANGLE PROJECTION
	MATERIAL NO. 747470001	DOCUMENT NO. SD-74747-001	SHEET NO. 3 OF 5			

1X6 SFP GANGED
CAGE ASSEMBLY
W/090 OD GASKET

molex

THIS DRAWING CONTAINS INFORMATION THAT IS PROPRIETARY TO MOLEX
INCORPORATED AND SHOULD NOT BE USED WITHOUT WRITTEN PERMISSION

19 18 17 16 15 14 13 12 11 10 9 8 7 6 5 4 3 2 1



Detail 2
Scale 8:1

ENTER DESCRIPTION IEC NO: CPG2016-3795 DRAWN BY: DRW:HCANG04 2016/04/27 CHKD: APPR:RCHE08 2016/04/26 REV DESCRIPTION	QUALITY SYMBOLS ▽=0 ▽=0 ▽=0		GENERAL TOLERANCES (UNLESS SPECIFIED) mm INCH 4 PLACES ± --- ± --- 3 PLACES ± --- ± --- 2 PLACES ± 0.13 ± --- 1 PLACE ± 0.18 ± --- 0 PLACE ± ±		DIMENSION STYLE MM ONLY		SCALE 4:1	DESIGN UNITS METRIC	THIRD ANGLE PROJECTION
	DRAFT WHERE APPLICABLE MUST REMAIN WITHIN DIMENSIONS		ANGULAR ± 1 °		MATERIAL NO. 747470001		DOCUMENT NO. SD-74747-001		SHEET NO. 4 OF 5
	THIS DRAWING CONTAINS INFORMATION THAT IS PROPRIETARY TO MOLEX INCORPORATED AND SHOULD NOT BE USED WITHOUT WRITTEN PERMISSION								
	moxle								

REV.	DATE	DESCRIPTION
D	2015/03/16	1.UPDATED 3.37[85.5] TO 85.25 +/-0.1 (INSIDE TO INSIDE) @G16 [SHEET 1] 2.UPDATED 0.36[9.2] TO 9.2 +/-0.1 (INSIDE TO INSIDE) @F12 [SHEET 1] 3.UPDATED 0.551[14.00]X6 TO 6X14.00 (INSIDE TO INSIDE) @F13 [SHEET 1] 4.UPDATED 0.05[1.3]X2 TO 2X1.3 @H12 [SHEET 1] 5.UPDATED 0.561[14.25]X6 TO 6X14.25 @E14 [SHEET 1] 6.UPDATED 0.05[1.3]X21 TO 21X1.3 @E8 [SHEET 1] 7.UPDATED 0.04[1.1]X12 TO 12X1.1 @E6 [SHEET 1] 8.UPDATED 0.31[0.80]X18 TO 18X0.80 @H3 [SHEET 2] 9.UPDATED ϕ .041+0.002[1.05+0.05]X82 TO 82X ϕ 1.05+/-0.05 @H19 [SHEET 2] 10.UPDATED ϕ .037+/-0.002[0.95+/-0.05]X36 TO 36X0.95+/-0.05 @F19 [SHEET 2] 11.UPDATED ϕ .061[1.55]X12 TO 12X ϕ 1.55 @F15 [SHEET 2] 12.UPDATED ϕ .041+/-0.002[1.05+/-0.05]X43 TO 43X ϕ 1.05+/-0.05 @I19 [SHEET 3] 13.UPDATED ϕ .037+/-0.002[0.95+/-0.05]X24 TO 24X0.95+/-0.05 @G19 [SHEET 3] 14.UPDATED ϕ .061[1.55]X12 TO 12X1.55 @F14 [SHEET 3] 15.UPDATED 0.386[9.80] TO 9.80 REF @J3 [SHEET 4] 16.ADDED DETAIL 2 VIEW TO SHOW GAP FROM PCB PAD SURFACE TO CAGE BOTTOM SURFACE [SHEET 4] 17.CHANGED DIMENSION STYLE IN/MM TO MM ONLY IN ALL SHEETS 18.UPDATED DRAWING FORMAT IN ALL SHEETS
E	2016/04/22	SHEET 1: F3: CREATED BACK VIEWS C2: ADDED WEEK/YEAR DATE CODE TABLE A19: CHANGED NOTE 5. TO *NO RoHS EXEMPTIONS*

ENTER DESCRIPTION IEC NO: CPG2016-3795 DRAWN BY: DRW:HCANG04 2016/04/21 CHKD: APPR:RCHE08 2016/04/26 REV:	QUALITY SYMBOLS	GENERAL TOLERANCES (UNLESS SPECIFIED)	DIMENSION STYLE	SCALE	DESIGN UNITS	THIRD ANGLE PROJECTION
	$\nabla=0$ $\nabla=0$ $\nabla=0$	4 PLACES # mm # INCH 3 PLACES # # # 2 PLACES # 0.13 # # # 1 PLACE # 0.18 # # # 0 PLACE # # #	MM ONLY	1:1	METRIC	
	ANGULAR $\pm 1^\circ$ DRAFT WHERE APPLICABLE MUST REMAIN WITHIN DIMENSIONS	DRAWN BY DATE KS IMONSO 2004/07/08 CHECKED BY DATE BRUSSELL 2004/07/08 APPROVED BY DATE BRUSSELL 2004/07/08	TITLE	1X6 SFP GANGED CAGE ASSEMBLY, W/.090 OD GASKET 		
	MATERIAL NO: 747470001 SIZE D	DOCUMENT NO. SD-74747-001 SHEET NO. 5 OF 5	THIS DRAWING CONTAINS INFORMATION THAT IS PROPRIETARY TO MOLEX INCORPORATED AND SHOULD NOT BE USED WITHOUT WRITTEN PERMISSION			