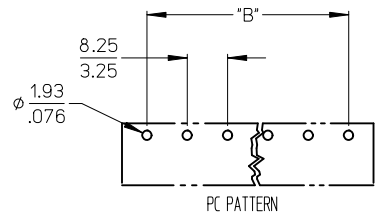
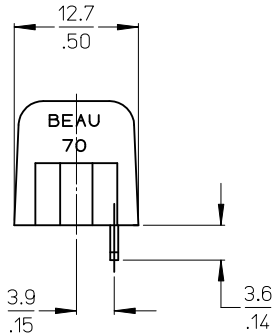
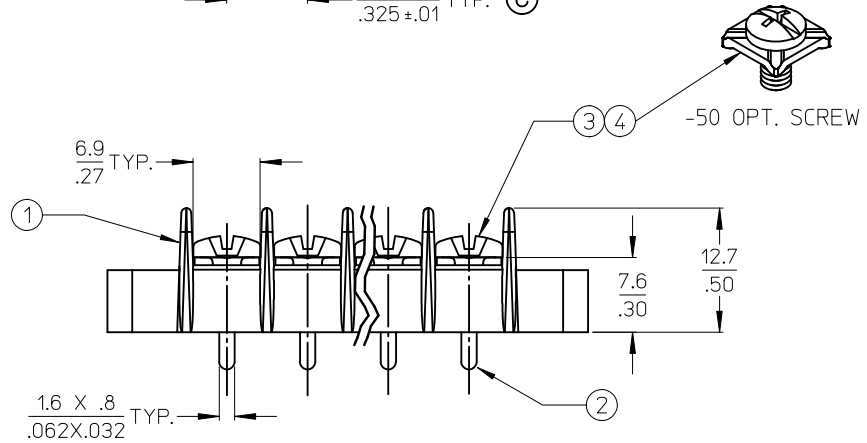
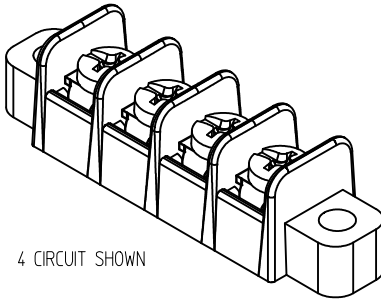
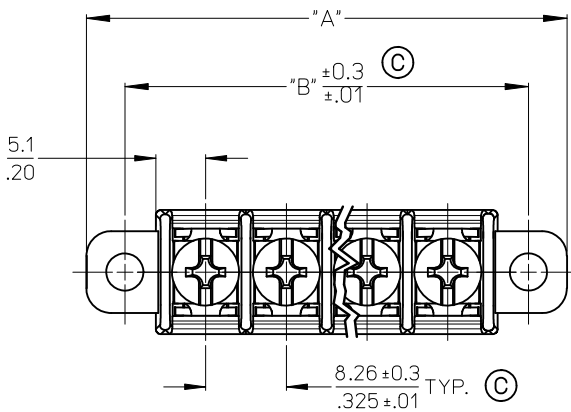


10 9 8 7 6 5 4 3 2 1



			24.78	.976		387007302
			33.04	1.301		387007303
			41.30	1.626		387007304
			49.56	1.951		387007305
			57.82	2.276		387007306
			66.08	2.602		387007307
			74.34			387007308
			82.60			387007309
			90.86			387007310
			99.12			387007311
			107.38			387007312
			115.64			387007313
			123.90			387007314
			132.16			387007315
			140.42			387007316
			148.68			387007317
			156.94			387007318
			165.20			387007319
			173.46			387007320
			181.72			387007321
			189.98			387007322
			198.24			387007323
			206.50			387007324
			214.76			387007325
			223.02			387007326
			231.28			387007327
			239.54			387007328
			247.80			387007329
			256.06			387007330

REDRAWN, UPDATE TOLERANCE
 EC NO: IPG2012-0886
 DRAWN: ENCINAS 2012/05/09
 CHKD: JMACNEIL
 APPR: JMACNEIL 2012/05/15

QUALITY SYMBOLS
 ▽ =
 ▽ =

GENERAL TOLERANCES (UNLESS SPECIFIED)

	mm	INCH
4 PLACES	± .005	± .0005
3 PLACES	± .005	± .0005
2 PLACES	± 0.13	± .01
1 PLACE	± 0.3	± .01

ANGULAR ± 2°

DRAFT WHERE APPLICABLE
 MUST REMAIN
 WITHIN DIMENSIONS

DIMENSION STYLE
MM/IN

DRAWN BY ASAYDEH DATE 10/21/05
 CHECKED BY RDEROSS DATE 10/21/05
 APPROVED BY RDEROSS DATE 2010/03/05

MATERIAL NO.

SCALE 2:1
 DESIGN UNITS INCH
 THIRD ANGLE PROJECTION

TITLE
**8.26/.325 SR BTS ASSY,
 PC TAIL, WITH MTG ENDS**

MOLEX INCORPORATED

DOCUMENT NO. SD-38700-002
 SHEET NO. 1 OF 1

THIS DRAWING CONTAINS INFORMATION THAT IS PROPRIETARY TO MOLEX INCORPORATED AND SHOULD NOT BE USED WITHOUT WRITTEN PERMISSION

9 8 7 6 5 4 3 2 1