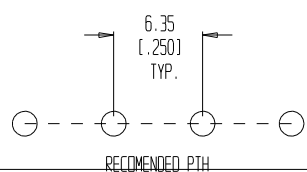


- NOTES:
1. MATERIAL: SEE TABLE
 2. FINISHES: SEE TABLE
 3. PRODUCT SPECIFICATION: NOT REQUIRED
 4. PACKAGING: NOT REQUIRED
 5. MATES WITH: NONE
 6. "XX" REFERS TO THE NUMBER OF CIRCUITS.



4 XX #3-48 SCREW W/WASHER

BRASS NICKEL

EC NO. ECN 3836
 DRWN: JF 10-27-04
 CHK: K
 APPR:

REV	DESCRIPTION
C	

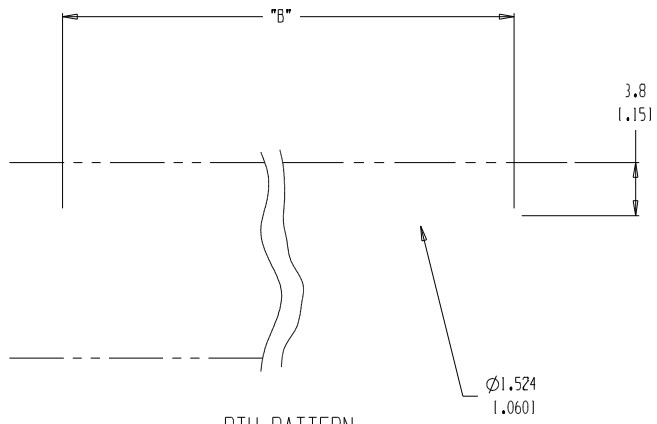
QUALITY SYMBOLS	GENERAL TOLERANCES: (UNLESS SPECIFIED)
MAJOR	mm INCH
CRITICAL	4 PLACES ±.0015
C	3 PLACES ±.038 ±.005
	2 PLACES ±.13 ±.01
	1 PLACE ±.3
	ANGULAR: ±2°
	DRAFT WHERE APPLICABLE MUST REMAIN WITHIN DIMENSIONS

SCALE	DESIGN UNITS	THIRD ANGLE PROJECTION
3:1	mm <input type="checkbox"/> INCH <input checked="" type="checkbox"/>	<input checked="" type="checkbox"/>
DRAWN BY & DATE	CHECKED BY & DATE	APPROVED BY & DATE
W. HOWARD 10-7-03		
CAD FILENAME	MATERIAL NO.	DRAWING NO.
605XX-C	SEE CHART	SD-38600-001

PROJECT NO.	SHT	REV
DIMENSIONS:	REVISE ON CAD ONLY	
<input checked="" type="checkbox"/> mm <input type="checkbox"/> INCH	<input type="checkbox"/> mm <input type="checkbox"/> ONLY	
TITLE: SR BTS ASSY	MOLEX INCORPORATED	
SHEET NO. 1 OF 2	SIZE B	

THIS DRAWING CONTAINS INFORMATION THAT IS PROPRIETARY TO MOLEX INCORPORATED AND SHOULD NOT BE USED WITHOUT WRITTEN PERMISSION.

5



PTH PATTERN