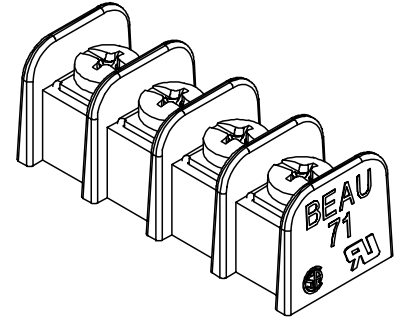
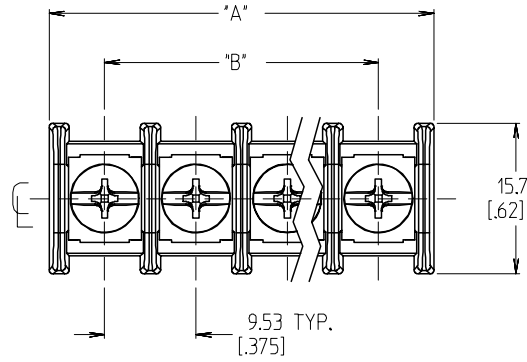
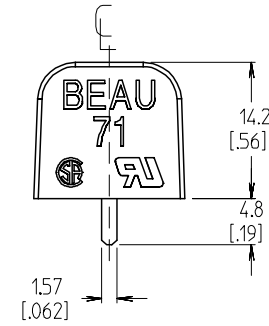
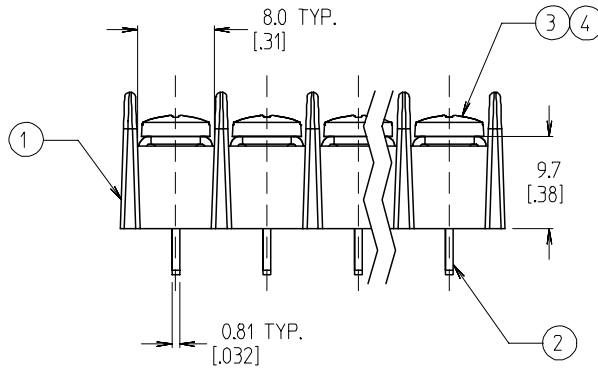


REF. -50 OPT. SCREW
(WHERE APPLICABLE)



4 CIRCUIT SHOWN



3	XX			
2	XX			
1	1	INSULATOR, SR, NO M		

ITEM	QTY.	DESCRIPTION	MATERIAL	FINISH
------	------	-------------	----------	--------

INITIAL RELEASE
EC NO: ETC2006-0520
DRWN:CYORK 2006/07/12
CHKD:RDEROSS 2006/07/13
APPR:RDEROSS 2006/07/13

QUALITY SYMBOLS
 = 0
 = 0

	GENERAL TOLERANCES (UNLESS SPECIFIED)	
	mm	INCH
4 PLACES	± .005	± .0005
3 PLACES	± .01	± .001
2 PLACES	± 0.13	± .01
1 PLACE	± 0.25	± .01
ANGULAR		± 2 °

DIMENSION STYLE	
MM/IN	SCALE
DRAWN BY C. YORK	DATE 2006/06/30
CHECKED BY R. DEROSS	DATE 2006/06/30
APPROVED BY R. DEROSS	DATE 2006/06/30
MATERIAL NO.	DOCUMENT NO.
SEE SHEET 2	SD-38710-005

DESIGN UNITS	THIRD ANGLE PROJECTION
INCH	
TITLE 9.53MM [.375] SR BTS ASSY, PC TERM. WITHOUT MTG. ENDS, LOW PROF.	
MOLEX INCORPORATED	
SHEET NO. 1 OF 2	

THIS DRAWING CONTAINS INFORMATION THAT IS PROPRIETARY TO MOLEX INCORPORATED AND SHOULD NOT BE USED WITHOUT WRITTEN PERMISSION