

10 9 8 7 6 5 4 3 2

F

E

D

C

B

A

F

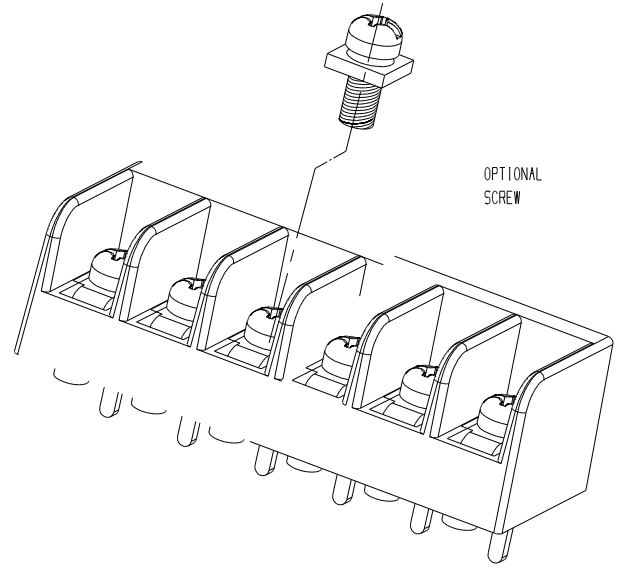
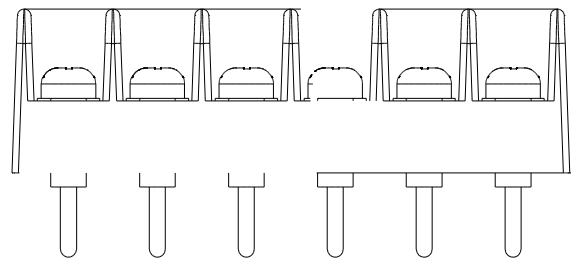
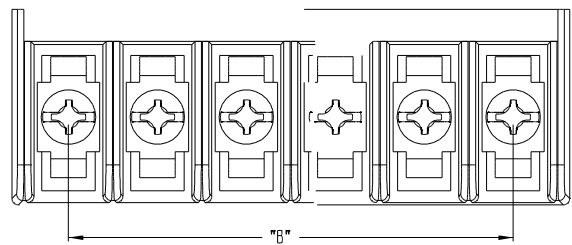
E

D

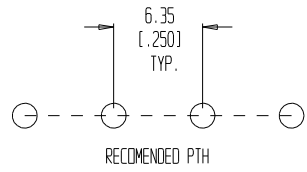
C

B

A



- NOTES:
1. MATERIAL: SEE TABLE
 2. FINISHES: SEE TABLE
 3. PRODUCT SPECIFICATION: NOT REQUIRED
 4. PACKAGING: NOT REQUIRED
 5. MATES WITH: NONE
 6. "XX" REFERS TO THE NUMBER OF CIRCUITS.



4 XX #3-48 SCREW W/WASHER

BRASS

NICKEL

DESCRIPTION
REV

GENERAL TOLERANCES (UNLESS SPECIFIED)

	mm	INCH
4 PLACES		±.0015
3 PLACES	±.038	±.005
2 PLACES	±.13	±.01
1 PLACE	±.3	

±2°

SCALE	DIMENSIONS:	SHT	REV
TITLE:			
MOLEX INCORPORATED			
CAD FILENAME			SHEET NO.

9 8 7 6 5 4 3 2 1