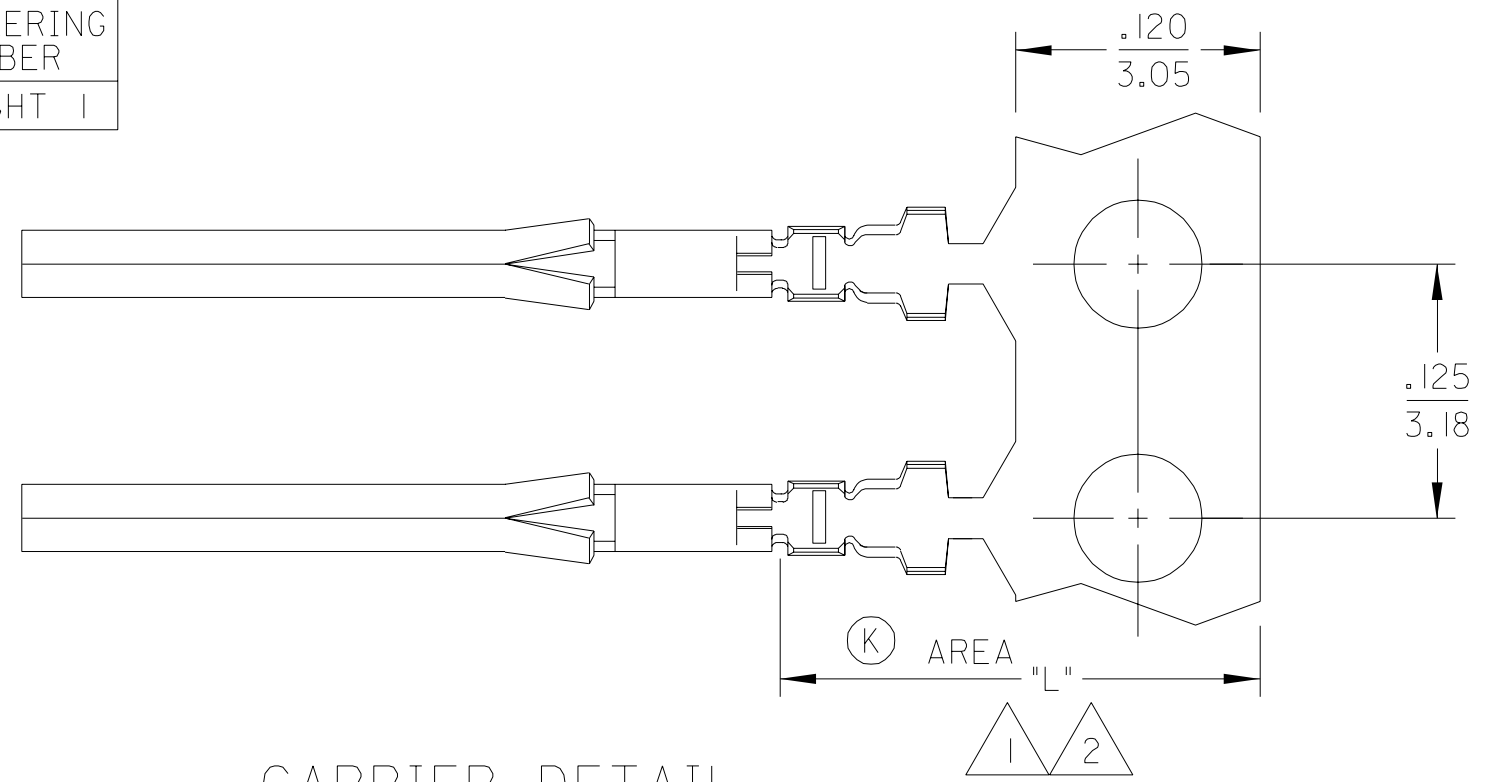
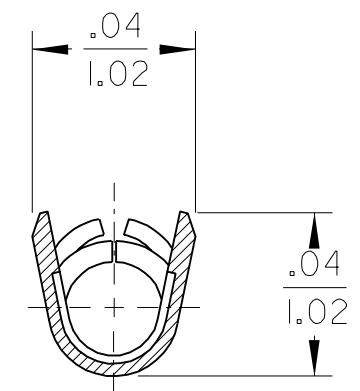
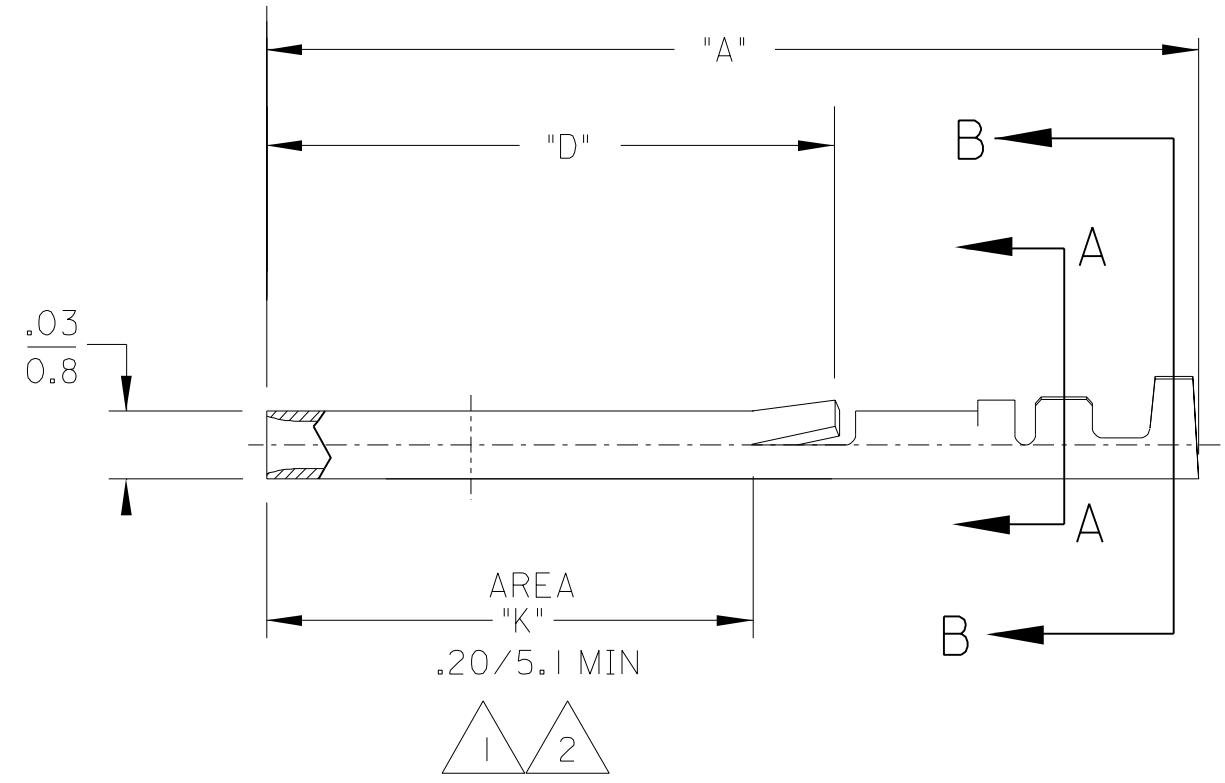


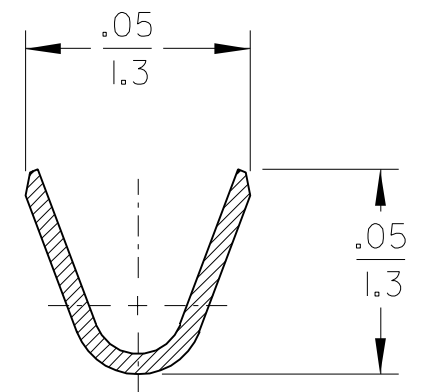
MATERIAL NUMBER	ENGINEERING NUMBER
SEE SHT 1	SEE SHT 1



CARRIER DETAIL



SECTION A-A
SCALE: NONE



SECTION B-B
SCALE: NONE

SALES DRAWING

ETC2003-0182 EC NO. ETC2003-0190 DRWN: BRE 03/01/30 CHK: HEB/JAL 03/01/30 APPR: RWD 03/01/30	QUALITY SYMBOLS
	MAJOR $\nabla=0$ CRITICAL $\nabla C=0$
K	REV

GENERAL TOLERANCES: (UNLESS SPECIFIED)	SCALE NO: NE	DESIGN UNITS <input type="checkbox"/> mm <input checked="" type="checkbox"/> INCH
4 PLACES ±0. ±.	DRAWN BY & DATE BRE 02/01/22	TITLE: CONTACT, SOCKET
3 PLACES ±0. ±.005	CHECKED BY & DATE HEB 02/01/22	MATERIAL NO. SEE CHART DRAWING NO. SD-83000-002 SHEET NO. 2 OF 2
2 PLACES ±0.13 ±.010	APPROVED BY & DATE RWD 02/01/22	
1 PLACE ±0.3 ±.	ANGULAR: ±1/2°	THIS DRAWING CONTAINS INFORMATION THAT IS PROPRIETARY TO MOLEX INCORPORATED AND SHOULD NOT BE USED WITHOUT WRITTEN PERMISSION.

THIRD ANGLE PROJECTION	DIMENSIONS: <input type="checkbox"/> mm <input checked="" type="checkbox"/> INCH <input type="checkbox"/> mm ONLY
------------------------	--

SHT	REV
	REVISE ON CAD ONLY