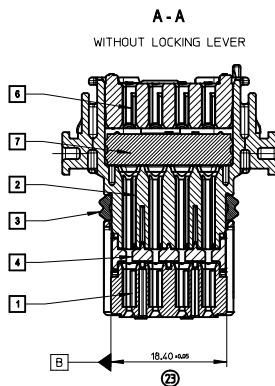
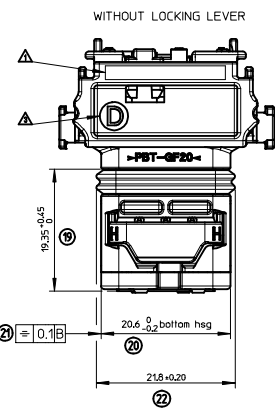
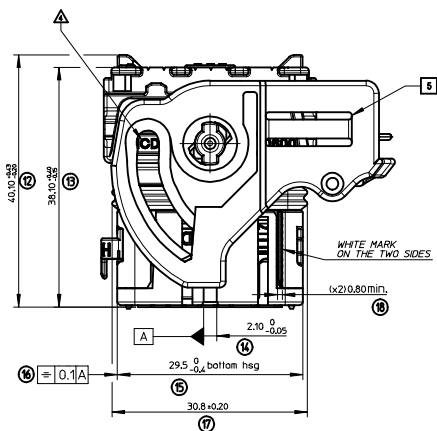
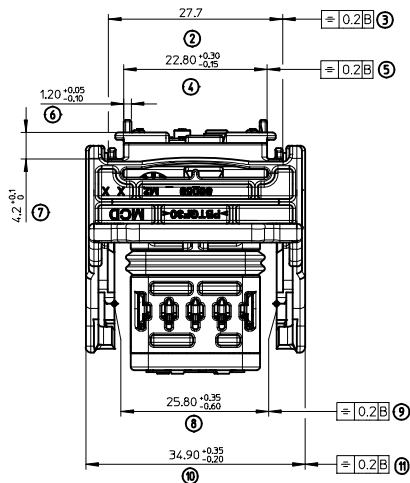


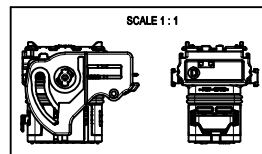
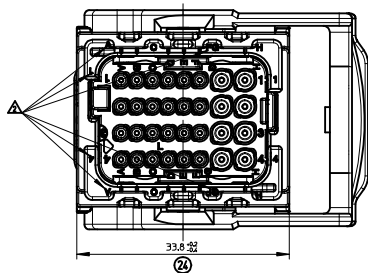
LEFT WIRE OUTPUT

MATERIAL NUMBER	COLOR
0643191211	BLACK
0643191218	GREY
0643191219	BROWN
0643191216	BLUE



RIGHT WIRE OUTPUT

MATERIAL NUMBER	COLOR
0643193211	BLACK
0643193218	GREY
0643193219	BROWN
0643193216	BLUE



NOTES:

- FOR ILLUSTRATION PURPOSE THE FEMALE HOUSING SHOWN IS THE RIGHT WIRE OUTPUT VERSION CODING 1
- APPLICATION SPECIFICATION: AS-64319-002
- WIRES EXTERNAL DIAMETER USED:
FOR CP0.6 TERMINAL: USE WIRES WITH AN EXTERNAL DIAMETER BETWEEN Ø1.25MM MIN AND Ø1.90MM MAX
FOR CP1.5 TERMINAL: USE WIRES WITH AN EXTERNAL DIAMETER BETWEEN Ø1.00MM MIN AND Ø2.80MM MAX
- THE CONNECTOR FITS WITH WIRE CAP (32 WAY) MOLEX P/N 0643191201
- BLIND PLUG FOR CP 0.6 AND 15 CAVITIES (MOLEX P/N 0643251010 AND 0643251023) MUST BE USED ON THIS PART.
- DELIVERED PRODUCT WEIGHT: 27.6 g

POS.	DESIGNATION	MATERIAL	COLOR
17	MAT SEAL	Silicon	RED
14	BACK GRID 32W	>PBT-GF20<	GREY
13	LOCKING LEVER 32W	>PBT-GF30<	BLACK
12	SECONDARY LOCK	>PBT-GF20<	GREEN
11	PERIPHERAL SEAL 32W	Silicon	BLUE
10	BACK PART	>PBT-GF20<	BLACK
1	FRONT PART	>PBT-GF20<	COLOR LINKED TO KEYS

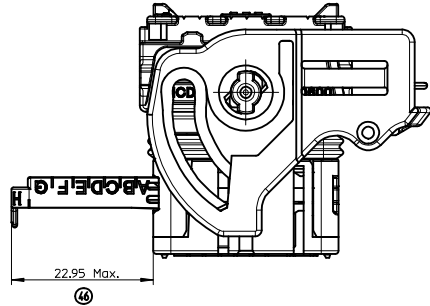
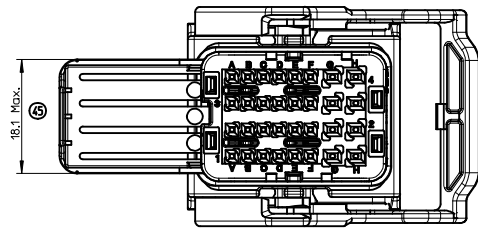
MARKINGS :

- △ - Assembled part traceability:
Year + Day
- △ - Terminal cavities identification
- △ - Lever position indicator:
"D" LETTER VISIBLE = "RIGHT WIRE OUTPUT"
"G" LETTER VISIBLE = "LEFT WIRE OUTPUT"
- △ - Supplier identification
- △ - Material identification

APPL. SPEC. CHANGED EC NO: 62076-0064 G DRWG/PLESSIS 2015/11/30 CHYK/POURBIN 2015/12/01 APPR:BOUCHAN 2015/12/02 REV DESCRIPTION	QUALITY SYMBOLS 4 PLACES ± --- ± --- 3 PLACES ± --- ± --- 2 PLACES ± 0.1 ± --- 1 PLACE ± 0.1 ± --- 0 PLACE ± --- ± ---	GENERAL TOLERANCES (UNLESS SPECIFIED) mm INCH ANGULAR ± 2 ° DRAFT WHERE APPLICABLE MUST REMAIN WITHIN DIMENSIONS	DIMENSION STYLE MM ONLY DRAWN BY DATE T. BADAROUX 2007/07/16 CHECKED BY DATE P. GRANDCLAUD 2007/07/16 APPROVED BY DATE C. BOUCHAN 2007/07/16	SCALE 2.5:1 DESIGN UNITS METRIC FIRST ANGLE PROJECTION	TITLE CMC CONNECTOR 32 WAY MAT SEAL VERSION	MATERIAL NO. SEE CHARTS DOCUMENT NO. SD-64319-001	SHEET NO. 1 OF 2
	THIS DRAWING CONTAINS INFORMATION THAT IS PROPRIETARY TO MOLEX INCORPORATED AND SHOULD NOT BE USED WITHOUT WRITTEN PERMISSION						
	molex						
	SD-64319-001						

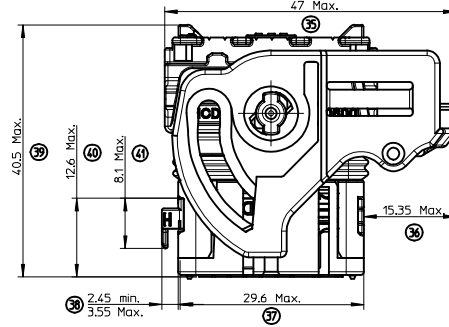
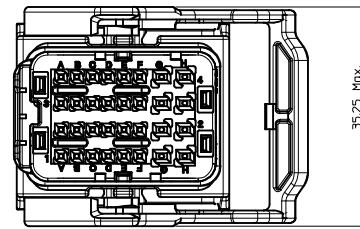
CONNECTOR OVERALL DIMENSIONS:
SECONDARY LOCKING FULLY OPENED
FOR TERMINALS INSERTION

RIGHT WIRE OUTPUT



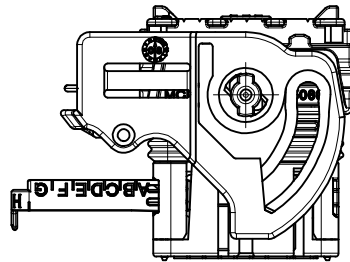
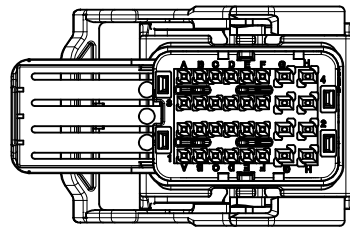
CONNECTOR OVERALL DIMENSIONS:
SECONDARY LOCKING IN DELIVERY
POSITION

RIGHT WIRE OUTPUT



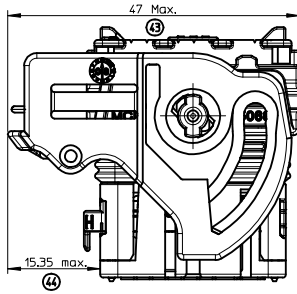
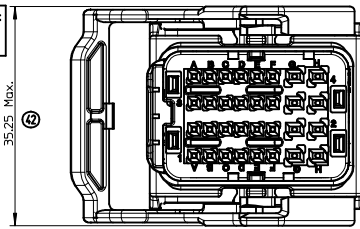
CONNECTOR OVERALL DIMENSIONS:
SECONDARY LOCKING FULLY OPENED
FOR TERMINALS INSERTION

LEFT WIRE OUTPUT

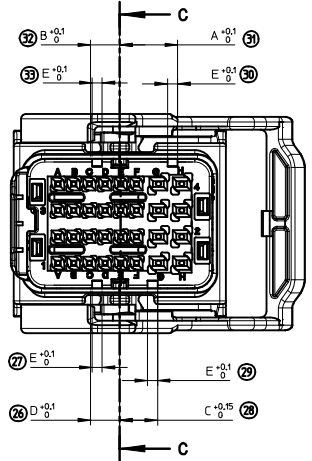


CONNECTOR OVERALL DIMENSIONS:
SECONDARY LOCKING IN DELIVERY
POSITION

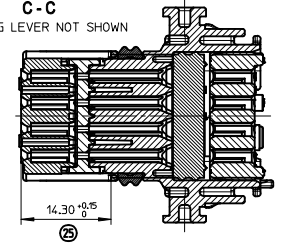
LEFT WIRE OUTPUT



CODING POSITION



C - C
LOCKING LEVER NOT SHOWN



COLOR	CODING	A	B	C	D	E
BLACK	1	9.2	4.4	6	4.4	1.6
GREY	2	7.6	6	9.2	6	1.6
BROWN	3	6	7.6	9.2	9.2	1.6
BLUE	5	4.4	7.6	6	6	1.6

TERMINALS USED

CAVITY N°	FEMALE TERMINALS (Section mm2)	PLATING	MOLEX PIN#	min / MAX WIRE INSULATION DIAMETER (mm)
A1 to F1 A2 to F2 A3 to F3 A4 to F4	CP 0.6 0.35mm2	Tin plated	0643221019	Ø1.25 min / Ø1.40 Max
		Gold plated	0643221229	
	CP 0.6 0.5mm2	Tin plated	0643221039	Ø1.40 min / Ø1.70 Max
		Gold plated	0643221239	
G1 to H4 G1 to H4	CP 0.6 0.75mm2	Tin plated	0643221029	Ø1.60 min / Ø1.90 Max
		Gold plated	0643221219	
	CP 1.5 0.5mm2 to 1mm2	Tin plated	0643231029	Ø1.40 min / Ø2.15 Max
		Gold plated	0643231319	
	CP 1.5 >1mm2 to 2mm2	Tin plated	0643231039	Ø2.10 min / Ø2.80 Max
		Gold plated	0643231219	

APPL. SPEC. CHANGED EC NO: G2016-0064 DRAWN: GLESSIS 2015/11/30 CHECKED: GORBIN 2015/12/01 APPR: BOUCHAN 2015/12/02 G	QUALITY SYMBOLS 40 30 20	GENERAL TOLERANCES (UNLESS SPECIFIED)	DIMENSION STYLE MM ONLY	SCALE 2.5:1	DESIGN UNITS METRIC	FIRST ANGLE PROJECTION		
		4 PLACES ± --- ± --- 3 PLACES ± --- ± --- 2 PLACES ± 0.1 ± --- 1 PLACE ± 0.1 ± --- 0 PLACE ± --- ± ---	mm INCH	DRAWN BY DATE T. BADAROUX 2007/07/16	CHECKED BY DATE P. GRANDCLAUD 2007/07/16	APPROVED BY DATE C. BOUCHAN 2007/07/16	TITLE CMC CONNECTOR 32 WAY MAT SEAL VERSION	SHEET NO. 2 OF 2
		ANGULAR ± 2 ° DRAFT WHERE APPLICABLE MUST REMAIN WITHIN DIMENSIONS	SEE SHEET 1	MATERIAL NO.	DOCUMENT NO. SD-64319-001	molex	INCORPORATED AND SHOULD NOT BE USED WITHOUT WRITTEN PERMISSION	