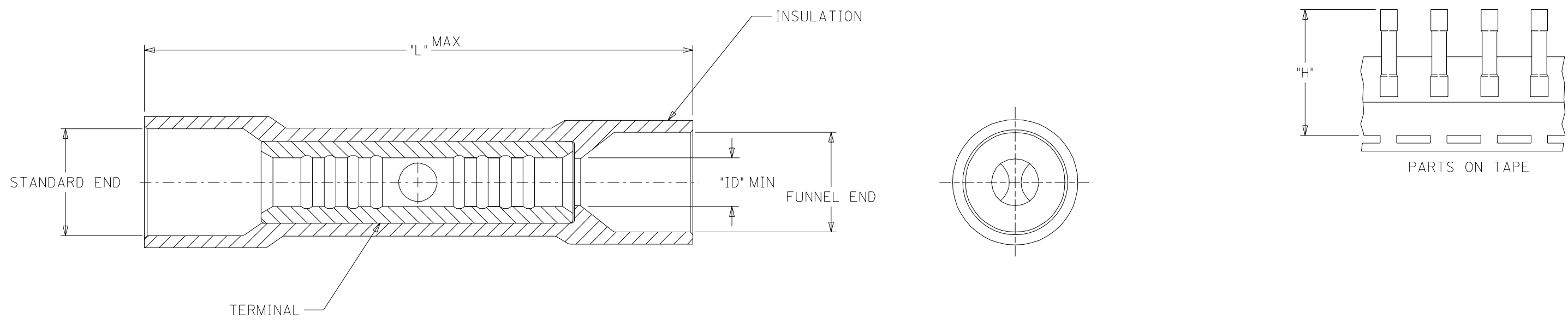


MATERIAL NUMBER	ENGINEERING NUMBER	MATERIAL NUMBER ON TAPE	ENGINEERING NUMBER ON TAPE	WIRE SIZE AWG	INSULATION COLOR	TERMINAL ID MIN	MAX. WIRE INSUL. DIA.		LENTH "L" MAX	"H" ±.010/0.25
							STANDARD END	FUNNEL END		
192020063	A-945-DK	192020007	A-945-DKT	18-22	DK RED	.062/1.57	.161/4.09	.147/3.74	1.070/27.18	1.522/38.67
192020019	B-931-DK	192020021	B-931-DKT	14-16	DK BLUE	.081/2.57	.199/5.05	.185/4.70	1.070/27.18	1.524/38.71
192020039	C-946-DK	192020041	C-946-DKT	10-12	DK YELLOW	.131/3.33	.276/7.01	.261/6.63	1.150/29.21	1.561/39.65



# SALES DRAWING

- NOTES:  
 1. MATERIAL: COPPER.  
 2. PLATING: ELECTRON-TIN.  
 3. INSULATION: 6/6 NYLON

NEW RELEASE EC NO. ETC2004-0207 DRWN: BRE 04/04/23 CHK: HEB 04/04/23 APPR: RWD 04/04/23	QUALITY SYMBOLS	MAJOR =0
	CRITICAL =0	
A	REV	

GENERAL TOLERANCES: (UNLESS SPECIFIED)	
4 PLACES ±0.	±.
3 PLACES ±0.	±.005
2 PLACES ±0.13	±.01
1 PLACE ±0.25	±.
ANGULAR: ±1/2°	
DRAFT WHERE APPLICABLE MUST REMAIN WITHIN DIMENSIONS	

SCALE 4:1	DESIGN UNITS <input type="checkbox"/> mm <input checked="" type="checkbox"/> INCH
DRAWN BY & DATE BRE 04/04/20	
CHECKED BY & DATE HEB 04/04/20	
APPROVED BY & DATE RWD 04/04/20	
CAD FILENAME SD-19202-002 .DGN	

DIMENSIONS: <input type="checkbox"/> mm <input checked="" type="checkbox"/> INCH <input type="checkbox"/> mm ONLY		SHT	REV
THIRD ANGLE PROJECTION		REVISE ON CAD ONLY	
TITLE: FUNNEL ENTRY NYLON BUTTED BUTT SPLICES			
MOLEX INCORPORATED			
MATERIAL NO. SEE CHART	DRAWING NO. SD-19202-002	SHEET NO. 1 OF 1	
THIS DRAWING CONTAINS INFORMATION THAT IS PROPRIETARY TO MOLEX INCORPORATED AND SHOULD NOT BE USED WITHOUT WRITTEN PERMISSION.			SIZE B