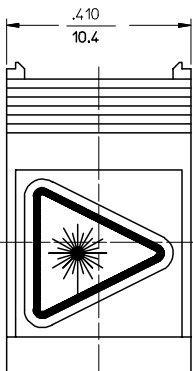
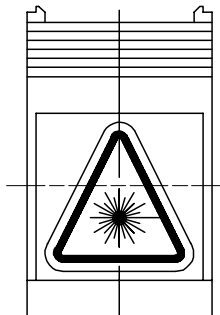


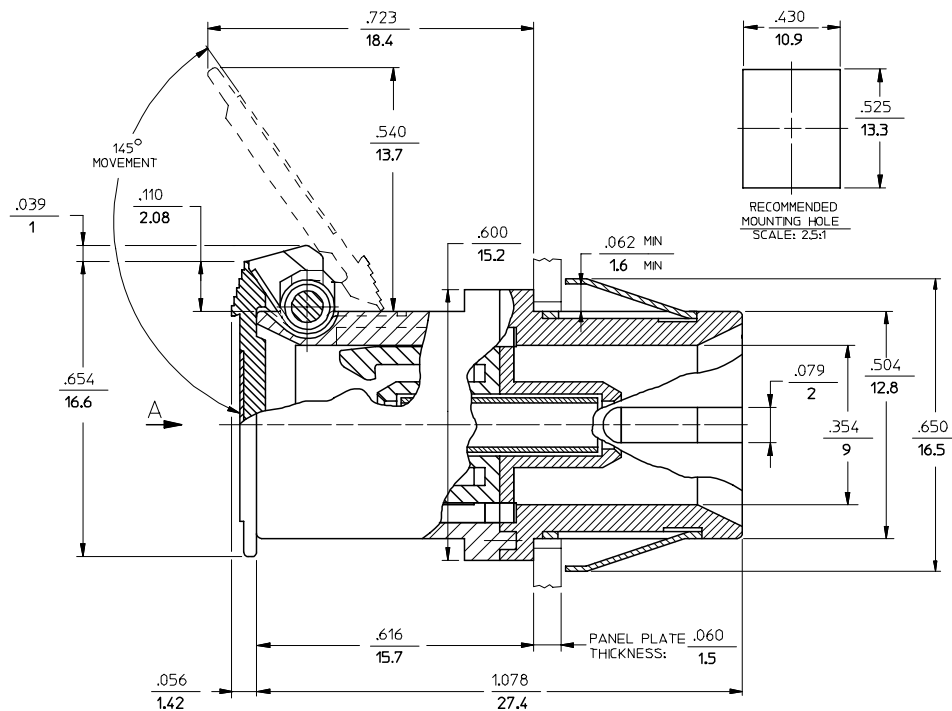
ADAPTER P/N	SPLIT SLEEVE MATERIAL	COLOR OF ADAPTER	DUST CAP COLOR
106170-2400	ZR	BLACK	GRAY
106170-2420		GREEN	
106170-2430		RED	
106171-2400	PHOSPHOR BRONZE	BLACK	YELLOW
106171-2420		GREEN	
106171-2430		RED	
106194-1440		BLACK	



VIEW A  
VERSION 1



VIEW A  
VERSION 2



NOTES:

1. ALL DIMENSIONS ARE GIVEN IN  $\frac{\text{INCHES}}{\text{mm}}$
2. LABEL MUST BE INSTALLED AND ORIENTED BY CUSTOMER. (SEE VIEW A)
3. DUST CAP NOT SHOWN.

ENTER DESCRIPTION EC NO: MF2007-0207 DRWNR:REV:ZNER 2006/09/22 CHKD: 2006/09/22 APPR: JGUMIN 2006/09/22 REV: A1	QUALITY SYMBOLS ▽=0 ▽=0	GENERAL TOLERANCES (UNLESS SPECIFIED)		DIMENSION STYLE	SCALE	DESIGN UNITS	THIRD ANGLE PROJECTION
		4 PLACES ± --- ± ---	3 PLACES ± --- ± ---	IN/MM	4:1	INCH	
		2 PLACES ± --- ± ---	1 PLACE ± --- ± ---	mm			
		ANGULAR ±1/2°		DRAWN BY DATE		TITLE	
DRAFT WHERE APPLICABLE MUST REMAIN WITHIN DIMENSIONS		SEE TABLE		CHECKED BY DATE		BSC- 2 ADAPTER WITH SHUTTER	
				APPROVED BY DATE		MOLEX INCORPORATED	
				MATERIAL NO.		DOCUMENT NO.	
				SIZE C		SD-10617Y-24Y0	
				THIS DRAWING CONTAINS INFORMATION THAT IS PROPRIETARY TO MOLEX INCORPORATED AND SHOULD NOT BE USED WITHOUT WRITTEN PERMISSION		SHEET NO. 1 OF 1	