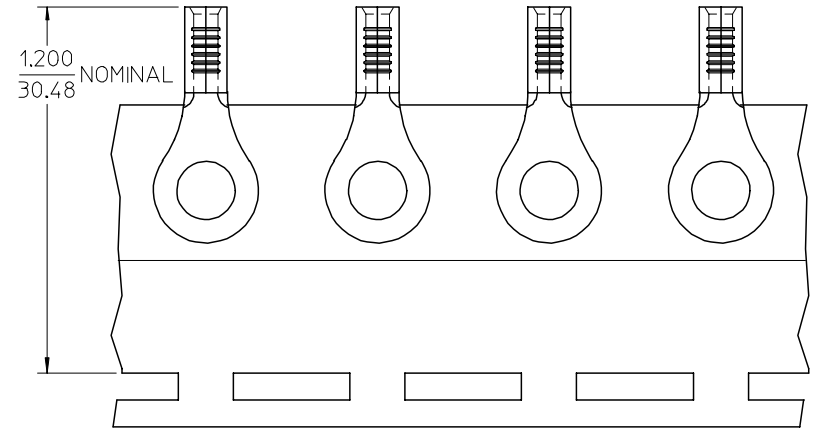
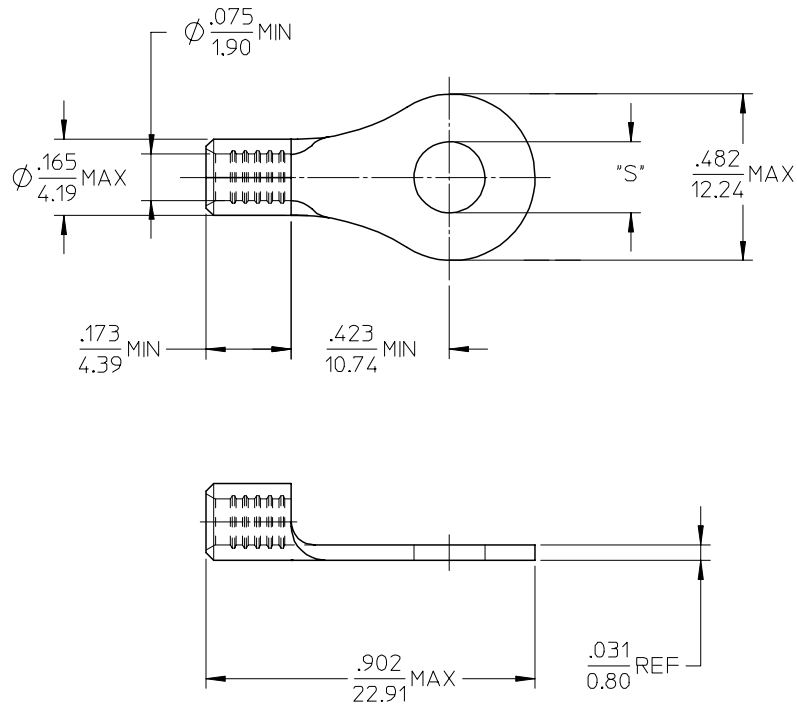


MATERIAL NO.	ENG. NO.	STUD SIZE	"S" MAX	DESCRIPTION
192030490	B-S-125-14	1/4	.259/6.58	LOOSE
192030045	B-S-125-14T	1/4	.259/6.58	TAPE



PARTS ON TAPE

NOTE(S):

- MATERIAL: STEEL
- WIRE SIZE: 16-14 AWG (1.5-2.5 MM<sup>2</sup>)
- FINISH: NICKEL PLATING
- PART IS ROHS COMPLIANT.
- AMBIENT OPERATING TEMPERATURE UP TO 900 °F (483 °C).

ADDED OPERATING TEMP		QUALITY SYMBOLS	GENERAL TOLERANCES (UNLESS SPECIFIED)		DIMENSION STYLE		SCALE	DESIGN UNITS	THIRD ANGLE PROJECTION
EC NO: ETC2007-0297	DRW: NEHLE 2007/03/13		mm	INCH	IN/MM	INCH	INCH		
CHKD: JMACNEIL 2007/03/13	APPR: JMACNEIL 2007/03/14		4 PLACES ± --- ± ---	DRAWN BY DATE	TITLE		MOLEX INCORPORATED		
			3 PLACES ± --- ± ---	EHILE 2006/09/20	RING TONGUE TERMINAL, 16-14 AWG, KRIMP TITE, 900 DEG F (483 DEG C)				
			2 PLACES ± --- ± ---	CHECKED BY DATE					
			1 PLACE ± --- ± ---	JMACNEIL 2006/09/20					
			ANGULAR ± --- °	APPROVED BY DATE					
				JMACNEIL 2006/09/20					
				MATERIAL NO.	DOCUMENT NO.				
				SEE CHART	SD-19203-028				
				SIZE B	THIS DRAWING CONTAINS INFORMATION THAT IS PROPRIETARY TO MOLEX INCORPORATED AND SHOULD NOT BE USED WITHOUT WRITTEN PERMISSION				
							SHEET NO. 1 OF 1		