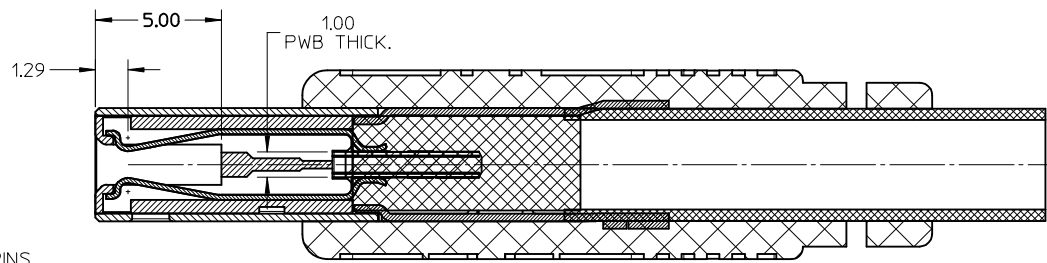
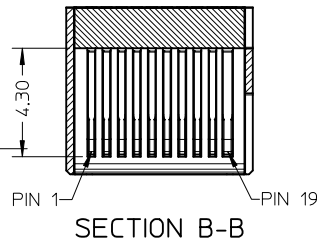


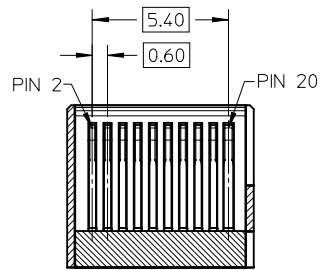
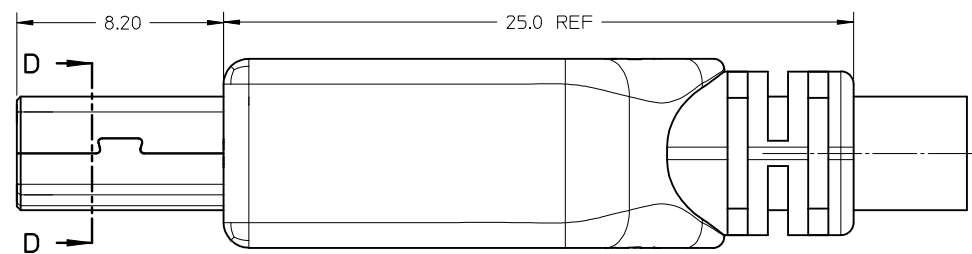
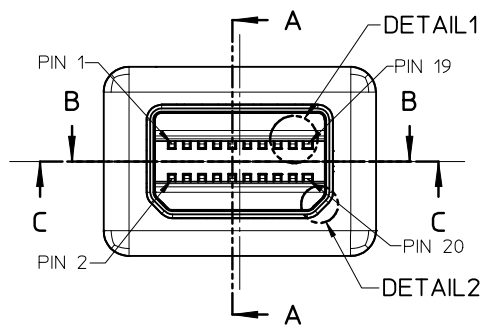
DETAIL1



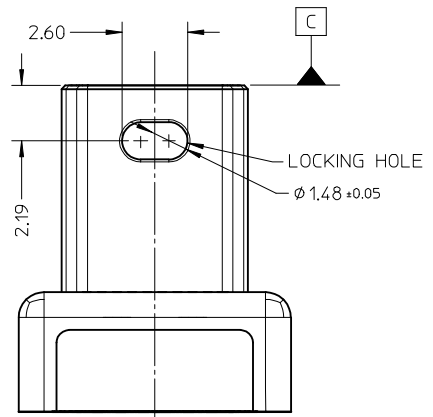
SECTION A-A



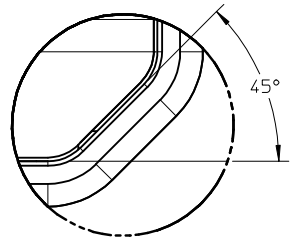
SECTION B-B



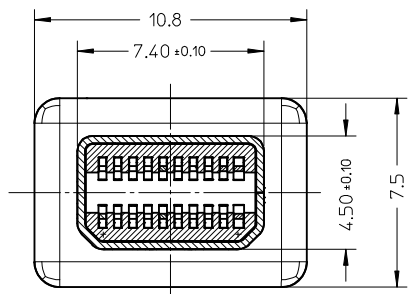
SECTION C-C



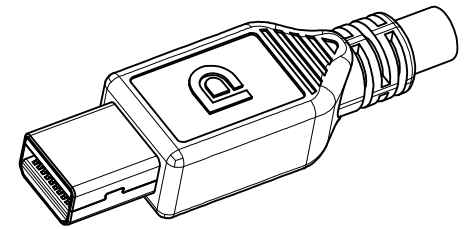
BOTTOM VIEW



DETAIL2



SECTION D-D

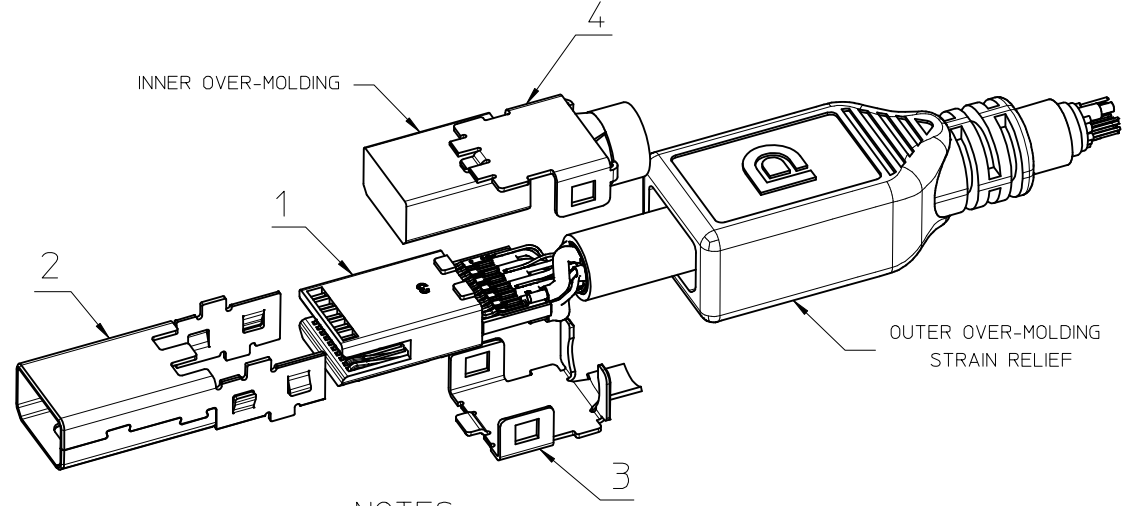


NEW PRODUCT EC NO: SH2010-0088 DRINKWEI 2009/09/14 CHYKD-RZHANG 2009/09/14 APPR: XJ.SONG 2009/09/14 REV B	QUALITY SYMBOLS ▽=0 ◻=0	GENERAL TOLERANCES (UNLESS SPECIFIED)		DIMENSION STYLE MM ONLY		SCALE 5:1	DESIGN UNITS METRIC	THIRD ANGLE PROJECTION	
		4 PLACES ± --- ± --- 3 PLACES ± --- ± --- 2 PLACES ± 0.25 ± --- 1 PLACE ± 0.30 ± ---	mm INCH ± --- ± --- ± 0.25 ± --- ± 0.30 ± ---	DRAWN BY KLAUS WEI	DATE 2008/03/31	TITLE MINI DISPLAY PORT PLUG			
		ANGULAR ± -- °		CHECKED BY ROST ZHANG	DATE 2008/03/31	MOLEX INCORPORATED			
		DRAFT WHERE APPLICABLE MUST REMAIN WITHIN DIMENSIONS		APPROVED BY HARVEY WANG	DATE 2008/03/31	DOCUMENT NO. SD-105061-200		SHEET NO. 1 OF 7	
				SEE SHEET 2	THIS DRAWING CONTAINS INFORMATION THAT IS PROPRIETARY TO MOLEX INCORPORATED AND SHOULD NOT BE USED WITHOUT WRITTEN PERMISSION				

TOP ROW			BOTTOM ROW		
PIN NUMBER	SIGNAL TYPE	PIN NAME	PIN NUMBER	SIGNAL TYPE	PIN NAME
1	GND	GND	2	IN	HOT PLUG DETECT
3	OUT	ML_LANE 0(p)	4	CONFIG	CONFIG 1
5	OUT	ML_LANE 0(n)	6	CONFIG	CONFIG 2
7	GND	GND	8	GND	GND
9	OUT	ML_LANE 1(p)	10	OUT	ML_LANE 3(p)
11	OUT	ML_LANE 1(n)	12	OUT	ML_LANE 3(n)
13	GND	GND	14	GND	GND
15	OUT	ML_LANE 2(p)	16	I/O	AUX_CH(p)
17	OUT	ML_LANE 2(n)	18	I/O	AUX_CH(n)
19	RTN	RETURN	20	POWER OUT	DP_PWR

ITEM	PART NAME	PART NUMBER	QTY'S
1	SUB-ASSEMBLY	WHITE	1
		BLACK	
2	MAIN-SHELL	105061-0005	1
3	BOTTOM SHELL	105061-0006	1
4	TOP-SHELL	105061-0007	1

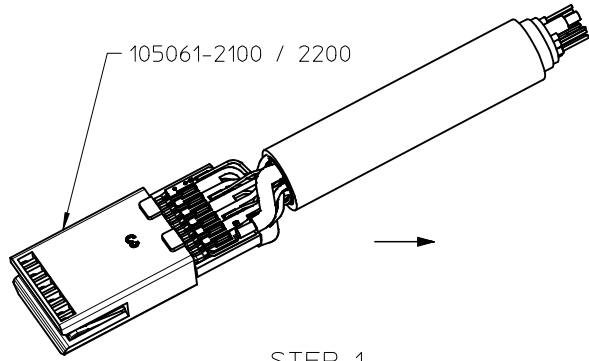
- NOTES:
- MATERIAL:
 - 1.1. PLASTIC: HIGH TEMPERATURE THERMOPLASTICS.
 - 1.2. TERMINAL: PHOSPHOR BRONZE.
 - 1.3. SHIELD SHELL: COPPER ALLOY.
 - 1.4. OTHER SHELL: COPPER ALLOY.
 - PLATING:
 - 2.1. TERMINAL:
 - 2.1.1. UNDERPLATING: NICKEL 1.30 MICROMETER MIN.
 - 2.1.2. CONTACT AREA: GOLD 0.76 MICROMETER MIN.
 - 2.1.3. SOLDER AREA: GOLD FLASH.
 - 2.2. METAL SHELL: NICKEL 1.30 MICROMETER MIN.
 - MECHANICAL PROPERTIES:
 - 3.1. TERMINAL RETENTION FORCE: 0.5 Kgf MIN.
 - 3.2. MATING FORCE: 4.0 Kgf MAX.
 - 3.3. NORMAL FORCE: 25gf MIN.
 - 3.4. DURABILITY: 1500 CYCLES.
 - ELECTRICAL PROPERTIES:
 - 4.1. APPLIED VOLTAGE RATING: 30V AC (RMS)
 - 4.2. CONTACT CURRENT RATING: 0.5 Amp
 - 4.3. DIELECTRIC WITHSTANDING: 200V AC MIN.
 - 4.4. INSULATION RESISTANCE: 100 Megaohm MIN.
 - ENVIRONMENTAL PROPERTIES:
 - 5.1. OPERATING TEMPERATURE: -20°C TO 85°C.
 - 5.2. BE APPLICABLE TO HANDWORK SOLDER & IR-REFLOW PROCESS
 - THIS PRODUCT COMPLIANT TO RoHS DIRECTIVE 2002/95/EC, AND ELV DIRECTIVE 2000/53/EC.



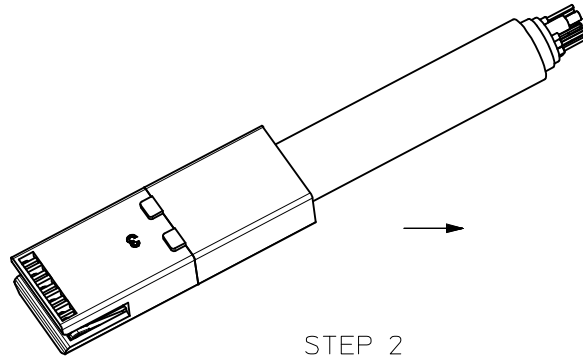
NOTES:
OVER-MOLDING ONLY FOR REFERENCE

NEW PRODUCT EC NO: SH2010-0088 DRW:KWEI 2009/09/14 CHK:RZHANG 2009/09/14 APPR:XJ.SONG 2009/09/21	QUALITY SYMBOLS 	GENERAL TOLERANCES (UNLESS SPECIFIED)		DIMENSION STYLE MM ONLY	SCALE N/A	DESIGN UNITS METRIC	THIRD ANGLE PROJECTION															
		<table border="1"> <thead> <tr> <th></th> <th>mm</th> <th>INCH</th> </tr> </thead> <tbody> <tr> <td>4 PLACES</td> <td>± ---</td> <td>± ---</td> </tr> <tr> <td>3 PLACES</td> <td>± ---</td> <td>± ---</td> </tr> <tr> <td>2 PLACES</td> <td>± ---</td> <td>± ---</td> </tr> <tr> <td>1 PLACE</td> <td>± ---</td> <td>± ---</td> </tr> </tbody> </table>		mm	INCH	4 PLACES	± ---	± ---	3 PLACES	± ---	± ---	2 PLACES	± ---	± ---	1 PLACE	± ---	± ---	DRAWN BY KLAUS WEI	DATE 2008/03/31	TITLE MINI DISPLAY PORT PLUG		
			mm	INCH																		
		4 PLACES	± ---	± ---																		
3 PLACES	± ---	± ---																				
2 PLACES	± ---	± ---																				
1 PLACE	± ---	± ---																				
DRAFT WHERE APPLICABLE MUST REMAIN WITHIN DIMENSIONS	CHECKED BY ROST ZHANG	DATE 2008/03/31	APPROVED BY HARVEY WANG 2008/03/31			MOLEX INCORPORATED																
		MATERIAL NO. SEE TABLE	DOCUMENT NO. SD-105061-200	SHEET NO. 2 OF 7		THIS DRAWING CONTAINS INFORMATION THAT IS PROPRIETARY TO MOLEX INCORPORATED AND SHOULD NOT BE USED WITHOUT WRITTEN PERMISSION																

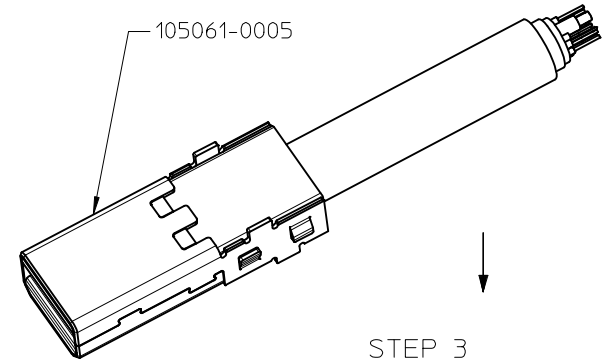
ASSEMBLY PROCEDURE



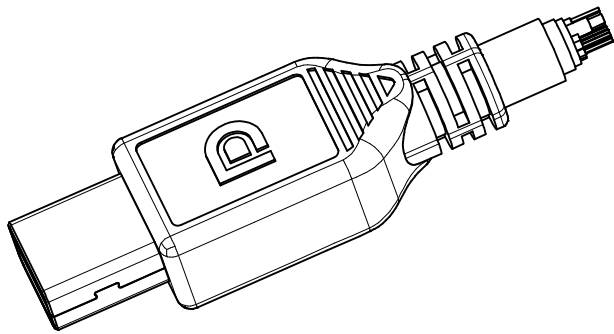
STEP 1
SOLDER WIRE



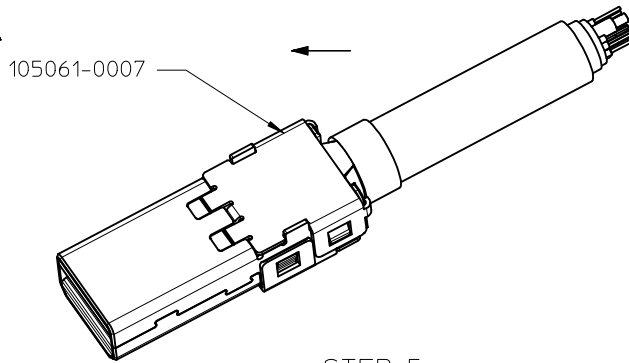
STEP 2
INNER OVER-MOLDING



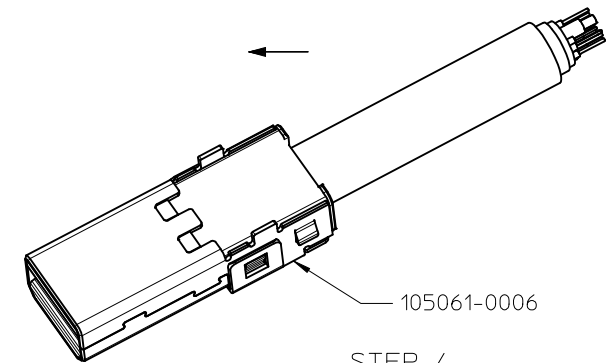
STEP 3
ASSEMBLE MAIN SHELL



STEP 6
OUTER OVER-MOLDING

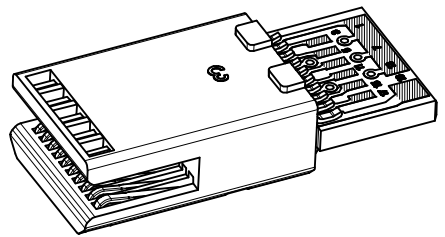
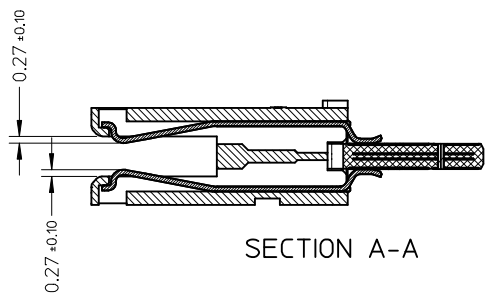
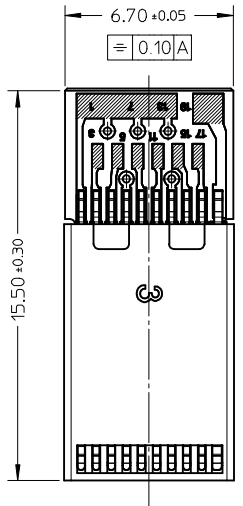


STEP 5
ASSEMBLE TOP SHELL AND CRIMPING

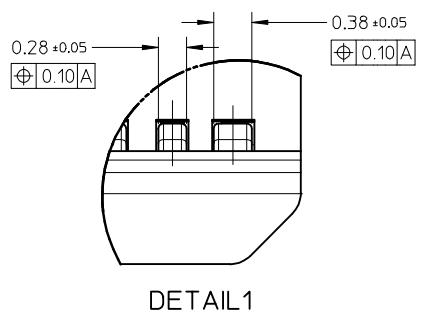
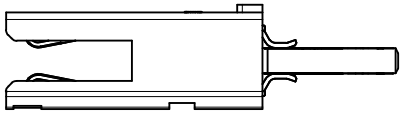
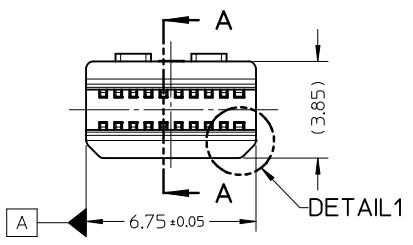


STEP 4
ASSEMBLE BOTTOM SHELL

NEW PRODUCT IEC NO: SH2010-0088 DRW:KWCWEI 2009/09/14 CH:KDRZHANG 2009/09/14 APPR:XJ.SONG 2009/09/21 REV B	QUALITY SYMBOLS ▽=0 ◻=0	GENERAL TOLERANCES (UNLESS SPECIFIED)		DIMENSION STYLE MM ONLY	SCALE N/A	DESIGN UNITS METRIC	THIRD ANGLE PROJECTION	
		4 PLACES ±--- ±--- 3 PLACES ±--- ±--- 2 PLACES ±--- ±--- 1 PLACE ±--- ±--- ANGULAR ±---°	mm INCH ±--- ±--- ±--- ±--- ±--- ±--- ±--- ±---	DRAWN BY DATE KLAUS WEI 2008/03/31 CHECKED BY DATE ROST ZHANG 2008/03/31 APPROVED BY DATE HARVEY WANG 2008/03/31	TITLE MINI DISPLAY PORT PLUG			
		DRAFT WHERE APPLICABLE MUST REMAIN WITHIN DIMENSIONS	SEE ABOVE	MATERIAL NO. MOLEX INCORPORATED	DOCUMENT NO. SD-105061-200	SHEET NO. 3 OF 7		
			THIS DRAWING CONTAINS INFORMATION THAT IS PROPRIETARY TO MOLEX INCORPORATED AND SHOULD NOT BE USED WITHOUT WRITTEN PERMISSION					



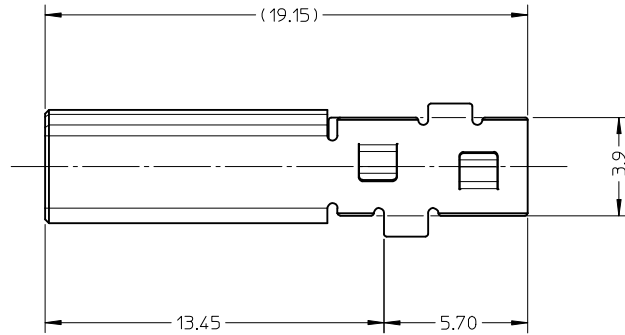
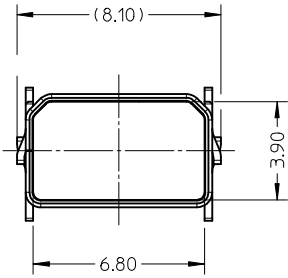
- NOTES:
1. MATERIAL:
PLASTIC: LCP ,UL94V-0 .
METAL: COPPER OR COPPER ALLOY.
 2. PACKAGING SPECIFICATION : PK-105061-001.
 3. PRODUCT SPECIFICATION: PS-105061-001.



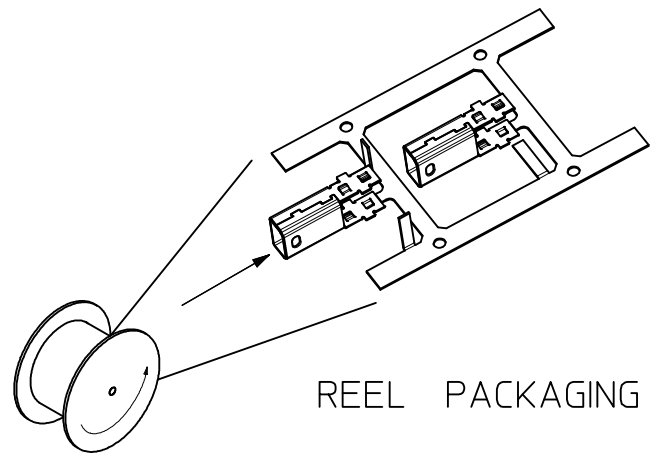
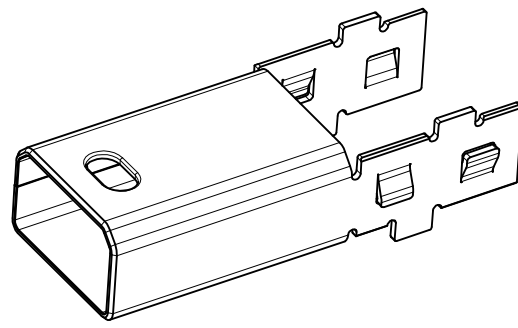
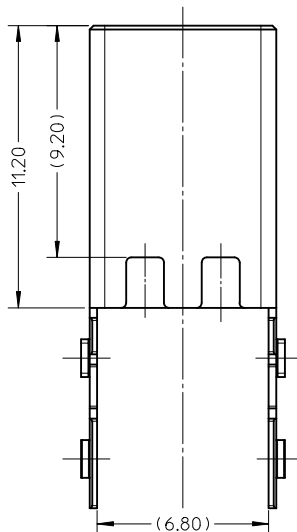
105061-2200	LCP	WHITE
105061-2100	LCP	BLACK
PART NUMBER	RESIN TYPE	COLOR

NEW PRODUCT EC NO: SH2010-0088 DRW:KWEI CH:KDRZHANG APPR:XJ.SONG	2009/09/14 2009/09/14 2009/09/21	DESCRIPTION REV	QUALITY SYMBOLS ▽=0 ◻=0	GENERAL TOLERANCES (UNLESS SPECIFIED)		DIMENSION STYLE MM ONLY		SCALE 5:1	DESIGN UNITS METRIC	THIRD ANGLE PROJECTION		
					mm	INCH	DRAWN BY KLAUS WEI	DATE 2008/03/31	TITLE SUB-ASSEMBLY			
				4 PLACES	± ---	± ---	CHECKED BY ROST ZHANG	DATE 2008/03/31	MOLEX INCORPORATED DOCUMENT NO. SD-105061-200 SHEET NO. 4 OF 7			
				3 PLACES	± ---	± ---	APPROVED BY HARVEY WANG	DATE 2008/03/31				
2 PLACES	± 0.10	± ---	ANGULAR ± ---°		105061-2*00		THIS DRAWING CONTAINS INFORMATION THAT IS PROPRIETARY TO MOLEX INCORPORATED AND SHOULD NOT BE USED WITHOUT WRITTEN PERMISSION					
1 PLACE	± 0.15	± ---	DRAFT WHERE APPLICABLE MUST REMAIN WITHIN DIMENSIONS		SIZE A3							

10 9 8 7 6 5 4 3 2 1



- NOTES:
1. MATERIALS: COPPER ALLOY
THICKNESS: 0.30±0.01mm..
 2. FINISH: NICKEL 1.30 MICROMETRE MIN.
 3. COMPLIANT TO RoHS DIRECTIVE 2002/95/EC AND ELV DIRECTIVE 2000/53/EC.
 4. PACKAGING QUANTITIES : 800 PCS PER REEL.

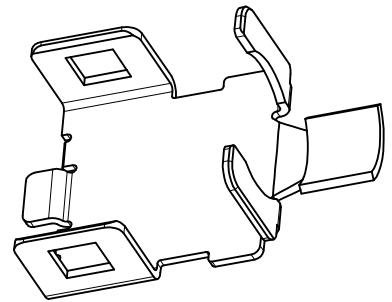
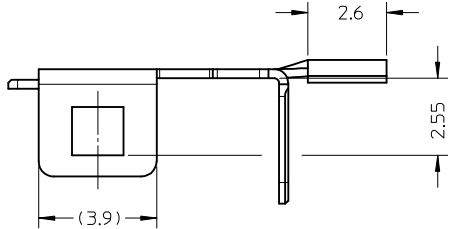


REEL PACKAGING

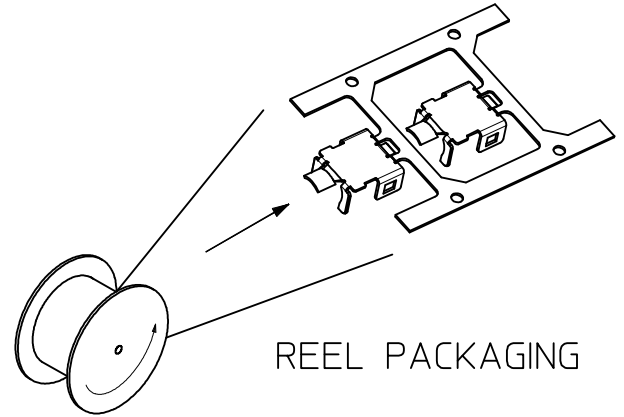
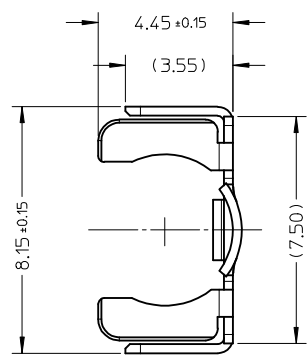
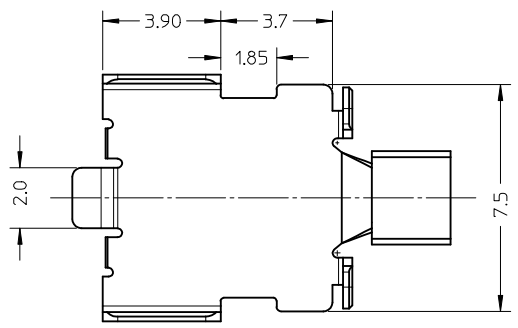
NEW PRODUCT EC NO: SH2010-0088 DRW:KWEI 2009/09/14 CHK:RZHANG 2009/09/14 APPR:XJ.SONG 2009/09/14	DESCRIPTION REV	QUALITY SYMBOLS	GENERAL TOLERANCES (UNLESS SPECIFIED)	DIMENSION STYLE	SCALE	DESIGN UNITS	THIRD ANGLE PROJECTION
		$\nabla=0$ $\triangle=0$	mm INCH 4 PLACES ± --- ± --- 3 PLACES ± --- ± --- 2 PLACES ± 0.10 ± --- 1 PLACE ± 0.15 ± --- ANGULAR ± ---°	MM ONLY	5:1	METRIC	
			DRAFT WHERE APPLICABLE MUST REMAIN WITHIN DIMENSIONS	DRAWN BY: KLAUS WEI CHECKED BY: ROST ZHANG APPROVED BY: HARVEY WANG MATERIAL NO. 105061-0005	DATE: 2008/03/31 DATE: 2008/03/31 DATE: 2008/03/31	TITLE	MAIN SHELL MOLEX INCORPORATED DOCUMENT NO. SD-105061-200
				SIZE: A3	THIS DRAWING CONTAINS INFORMATION THAT IS PROPRIETARY TO MOLEX INCORPORATED AND SHOULD NOT BE USED WITHOUT WRITTEN PERMISSION		SHEET NO. 5 OF 7

9 8 7 6 5 4 3 2 1

10 9 8 7 6 5 4 3 2 1



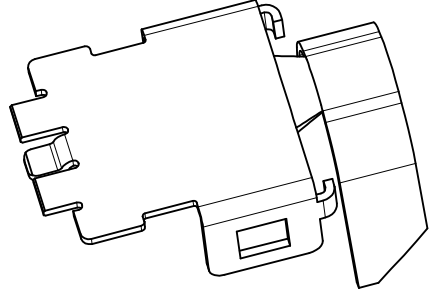
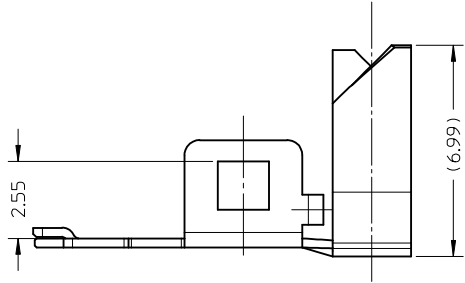
- NOTES:
1. MATERIALS: COPPER ALLOY.
THICKNESS: 0.30±0.01mm.
 2. FINISH: NICKEL 1.30 MICROMETRE MIN.
 3. COMPLIANT TO RoHS DIRECTIVE 2002/95/EC AND ELV DIRECTIVE 2000/53/EC.
 4. PACKAGING QUANTITIES : 1500 PCS PER REEL.



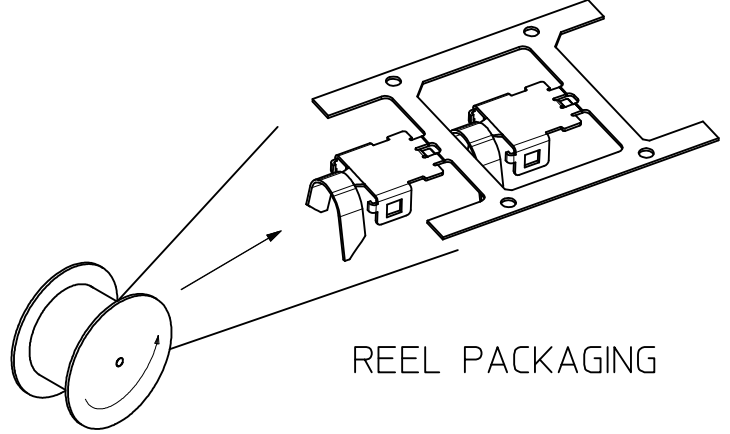
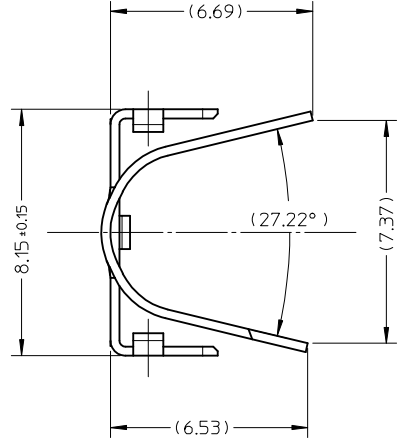
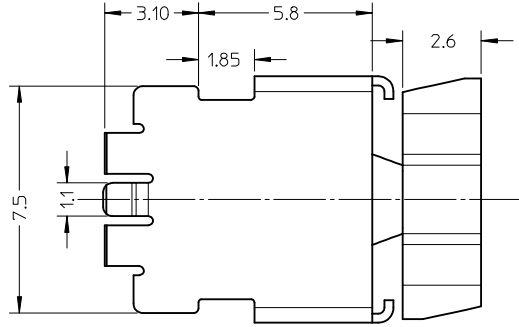
REEL PACKAGING

NEW PRODUCT EC NO: SH2010-0088 DRW:KWEI 2009/09/14 CHK:RZHANG 2009/09/14 APPR:XJSONG 2009/09/21	DESCRIPTION REV	QUALITY SYMBOLS	GENERAL TOLERANCES (UNLESS SPECIFIED)		DIMENSION STYLE	SCALE	DESIGN UNITS	THIRD ANGLE PROJECTION			
		▼=0 C=0	mm	INCH	MM ONLY	5:1	METRIC				
		4 PLACES ± --- ± --- 3 PLACES ± --- ± --- 2 PLACES ± 0.10 ± --- 1 PLACE ± 0.15 ± ---	ANGULAR ± ---°		DRAWN BY	DATE	TITLE				
		DRAFT WHERE APPLICABLE MUST REMAIN WITHIN DIMENSIONS		105061-0006		KLAUS WEI	2008/03/31	BOTTOM SHELL			
				APPROVED BY		DATE	MOLEX INCORPORATED				
				HARVEY WANG		2008/03/31	DOCUMENT NO.				
				MATERIAL NO.		SD-105061-200		SHEET NO.			
				SIZE		THIS DRAWING CONTAINS INFORMATION THAT IS PROPRIETARY TO MOLEX INCORPORATED AND SHOULD NOT BE USED WITHOUT WRITTEN PERMISSION					
				A3		6 OF 7					

9 8 7 6 5 4 3 2 1



- NOTES:
1. MATERIALS: COPPER ALLOY.
THICKNESS: 0.30±0.01mm.
 2. FINISH: NICKEL 1.30 MICROMETRE MIN.
 3. COMPLIANT TO RoHS DIRECTIVE 2002/95/EC AND ELV DIRECTIVE 2000/53/EC.
 4. PACKAGING QUANTITIES : 1500 PCS PER REEL.



REEL PACKAGING

NEW PRODUCT EC NO: SH2010-0088 DRW:KWEI 2009/09/14 CHKD:RZHANG 2009/09/14 APPR:XJ.SONG 2009/09/21	DESCRIPTION REV	QUALITY SYMBOLS	GENERAL TOLERANCES (UNLESS SPECIFIED)		DIMENSION STYLE MM ONLY		SCALE 5:1	DESIGN UNITS METRIC	THIRD ANGLE PROJECTION	
		▼=0 Ⓢ=0	mm	INCH	DRAWN BY KLAUS WEI	DATE 2008/03/31	TITLE TOP SHELL			
			4 PLACES ± --- ± ---	3 PLACES ± --- ± ---	CHECKED BY ROST ZHANG	DATE 2008/03/31	APPROVED BY HARVEY WANG 2008/03/31			
			2 PLACES ± 0.10 ± ---	1 PLACE ± 0.15 ± ---	MATERIAL NO. 105061-0007		DOCUMENT NO. SD-105061-200		SHEET NO. 7 OF 7	
DRAFT WHERE APPLICABLE MUST REMAIN WITHIN DIMENSIONS			THIS DRAWING CONTAINS INFORMATION THAT IS PROPRIETARY TO MOLEX INCORPORATED AND SHOULD NOT BE USED WITHOUT WRITTEN PERMISSION							