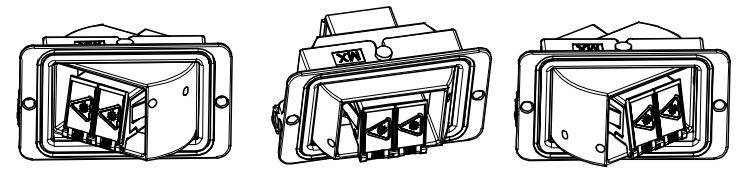
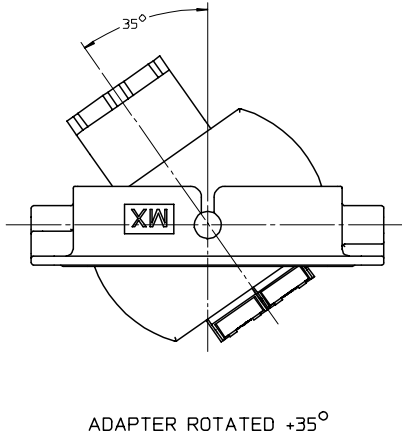
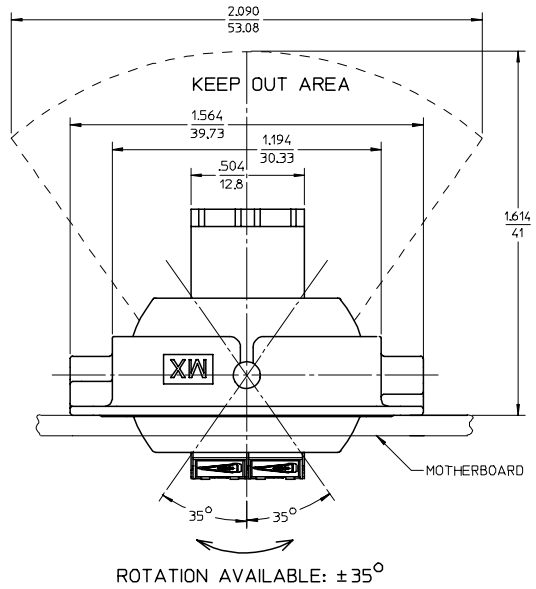
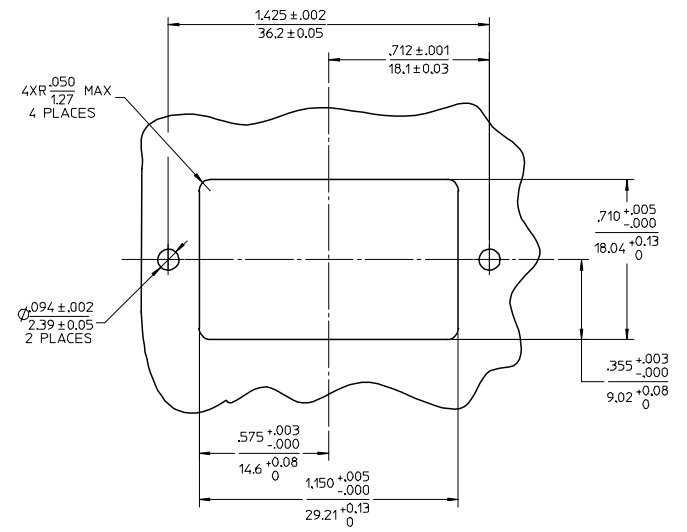
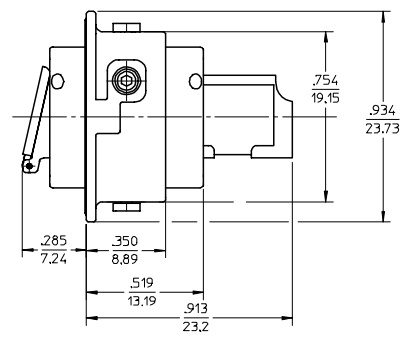
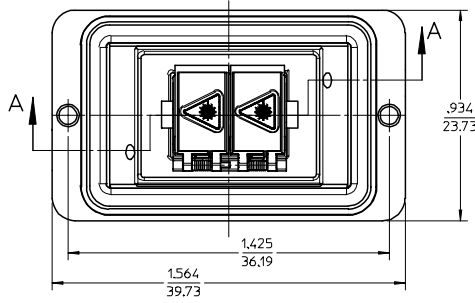


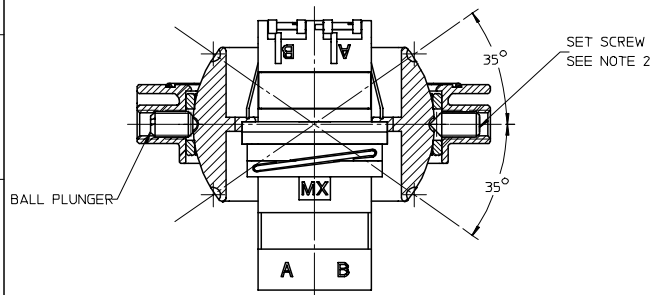
13 12 11 10 9 8 7 6 5 4 3 2 1



ISOMETRIC VIEWS
SCALE: 1.5:1



RECOMMENDED MOUNTING PATTERN



SECTION A-A
SCALE 2.5:1

- NOTES:
1. ALL DIMENSIONS ARE FOR REFERENCE ONLY.
 2. USE SET SCREW TO FIX LC ADAPTER IN THE REQUIRED POSITION: -35°, 0°, +35°.
 3. SWIVEL ADAPTER IS ALSO AVAILABLE AS SC, MU, AND MPO VERSIONS.

ENTER DESCRIPTION FCC NO: MF2006-0389 DRAWN: PGIBLIN 2005/12/14 CHKD: 2005/12/14 APPR: JGUMIN 2005/12/14 REVISIONS A	QUALITY SYMBOLS ▽=0 ▽=0	GENERAL TOLERANCES (UNLESS SPECIFIED) mm INCH 4 PLACES ± --- ± --- 3 PLACES ± --- ± --- 2 PLACES ± --- ± --- 1 PLACE ± --- ± --- ANGULAR ±1/2°	DIMENSION STYLE INCH ONLY DRAWN BY DATE PGIBLIN 2005/12/02 CHECKED BY DATE APPROVED BY DATE	SCALE 1:1 DESIGN UNITS INCH THIRD ANGLE PROJECTION	TITLE LC EMI SWIVEL ADAPTER BALL PLUNGER/SET SCREW VERSION	
	DRAFT WHERE APPLICABLE MUST REMAIN WITHIN DIMENSIONS		MATERIAL NO. 1061159500	DOCUMENT NO. SD-106115-9500	SHEET NO. 1 OF 1	
	MOLEX INCORPORATED					
	THIS DRAWING CONTAINS INFORMATION THAT IS PROPRIETARY TO MOLEX INCORPORATED AND SHOULD NOT BE USED WITHOUT WRITTEN PERMISSION					

12 11 10 9 8 7 6 5 4 3 2 1