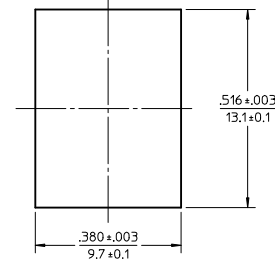
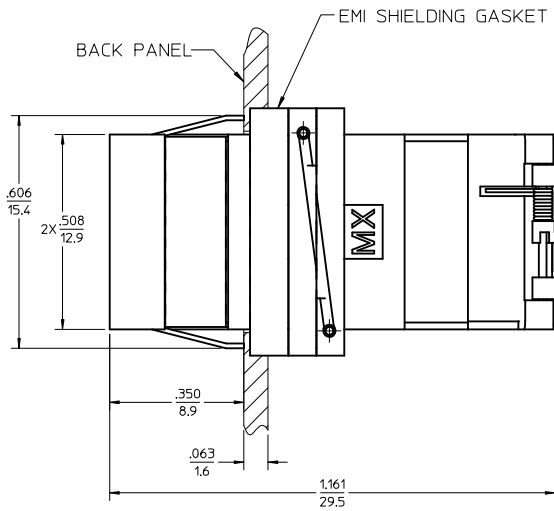
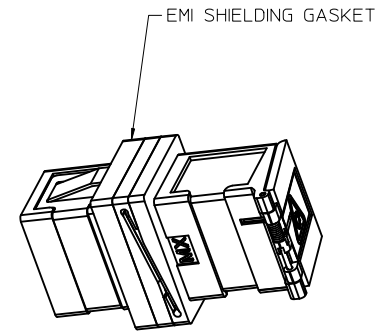
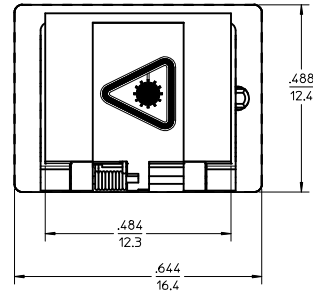
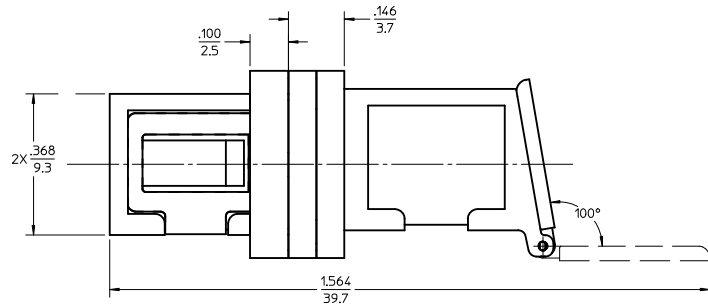


SC ADAPTER ASSY. P/N	SPLIT SLEEVE MATERIAL
106116-2000	Zr
106116-2200	Ph. Bronze



RECOMMENDED MOUNTING CUTOUT
FOR .063" THICK PANEL

NOTES:

1. ALL DIMENSIONS ARE FOR REFERENCE ONLY.
2. DUST CAP IS NOT SHOWN, BUT INCLUDED.
3. ADAPTERS TO BE PACKAGED IN TRAY.

EC NO: MF2012-0250 DRAWING NO: 2011/11/08 CHKD: IGUMIN APPR: IGUMIN REV: A3	QUALITY SYMBOLS ▼=0 ▽=0	GENERAL TOLERANCES (UNLESS SPECIFIED) <table border="1"> <tr> <th></th> <th>mm</th> <th>INCH</th> </tr> <tr> <td>4 PLACES</td> <td>± .10</td> <td>± .002</td> </tr> <tr> <td>3 PLACES</td> <td>± 0.005</td> <td>± .005</td> </tr> <tr> <td>2 PLACES</td> <td>± 0.13</td> <td>± .01</td> </tr> <tr> <td>1 PLACE</td> <td>± 0.25</td> <td>± .01</td> </tr> </table>		mm	INCH	4 PLACES	± .10	± .002	3 PLACES	± 0.005	± .005	2 PLACES	± 0.13	± .01	1 PLACE	± 0.25	± .01	DIMENSION STYLE IN/MM	SCALE 4:1	DESIGN UNITS INCH	THIRD ANGLE PROJECTION
		mm	INCH																		
	4 PLACES	± .10	± .002																		
	3 PLACES	± 0.005	± .005																		
2 PLACES	± 0.13	± .01																			
1 PLACE	± 0.25	± .01																			
DRAWN BY RPACIFIC1	DATE 2005/10/18	TITLE SC METAL ADAPTER																			
CHECKED BY	DATE	APPROVED BY IGUMIN	DATE 2011/11/22	MOLEX INCORPORATED																	
MATERIAL NO. SEE TABLE	DOCUMENT NO. SD-106116-2000	SHEET NO. 1 OF 1																			

DRAFT WHERE APPLICABLE MUST REMAIN WITHIN DIMENSIONS

THIS DRAWING CONTAINS INFORMATION THAT IS PROPRIETARY TO MOLEX INCORPORATED AND SHOULD NOT BE USED WITHOUT WRITTEN PERMISSION