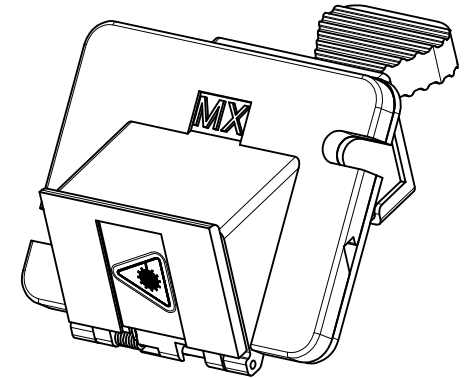


RECOMMENDED MOUNTING PATTERN  
SCALE 2.5:1



NOTES:

1. DIMENSIONS SHOWN ARE FOR REFERENCE ONLY.
2. SILICONE GASKET WITH Ag/AI FILLER (SHOWN COMPRESSED) IS SUPPLIED WITH THE PART.
3. OUTER PARTS ARE DIECAST.
4. DUST CAP SHOWN IN ISOMETRIC VIEW ONLY.
5. ADAPTRS TO BE PACKAGED IN TRAY.

ENTER DESCRIPTION EC NO: MF2013-0747 DRMAY:YBEDNYAK 2013/06/06 CHKD: APPR:IGUMIN 2013/06/14	REV	DESCRIPTION

QUALITY SYMBOLS	▽=0
	▽=0

GENERAL TOLERANCES (UNLESS SPECIFIED)	mm	INCH
4 PLACES	± ---	± ---
3 PLACES	± ---	± ---
2 PLACES	± ---	± ---
1 PLACE	± ---	± ---
ANGULAR ±1/2°		
DRAFT WHERE APPLICABLE MUST REMAIN WITHIN DIMENSIONS		

DIMENSION STYLE		IN/MM
DRAWN BY	DATE	
PG IBL IN	2005/11/17	
CHECKED BY	DATE	
APPROVED BY	DATE	
WCHEN	2010/10/19	
MATERIAL NO.	1061143000	
SIZE	B	

SCALE	4:1	DESIGN UNITS	INCH	THIRD ANGLE PROJECTION
TITLE				
MPO EMI ADAPTER 45 DEGRE 45 DEGREE (SCREW MOUNT)				
molex MOLEX INCORPORATED				
MATERIAL NO.	1061143000	DOCUMENT NO.	SD-106114-3000	SHEET NO.
				1 OF 1
THIS DRAWING CONTAINS INFORMATION THAT IS PROPRIETARY TO MOLEX INCORPORATED AND SHOULD NOT BE USED WITHOUT WRITTEN PERMISSION				