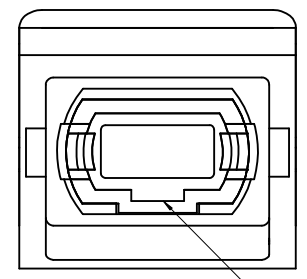
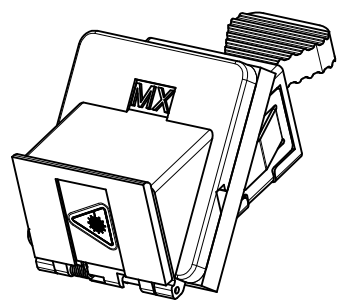
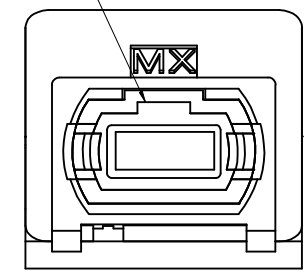


RECOMMENDED MOUNTING PATTERN
SCALE 2.5:1
FOR .063 THICK PANEL
1.6



VIEW A
(DUST CAP NOT SHOWN)



VIEW B
(SHUTTER NOT SHOWN)

NOTES:

1. DIMENSIONS SHOWN ARE FOR REFERENCE ONLY.
2. CONDUCTIVE FABRIC OVER FOAM GASKET (SHOWN COMPRESSED) IS SUPPLIED WITH THE PART.
3. OUTER PARTS ARE DIECAST.
4. DUST CAP SHOWN IN ISOMETRIC VIEW ONLY.
5. ADAPTERS TO BE PACKAGED IN TRAY.

ENTER DESCRIPTION IEC NO: MF2013-0747 DRWN: YBEDNYAK 2013/06/04 CHKD: APPR: IGUMIN 2013/06/14 REV: A4	QUALITY SYMBOLS ▽=0 ▽=0	GENERAL TOLERANCES (UNLESS SPECIFIED)		DIMENSION STYLE IN/MM		SCALE 4:1	DESIGN UNITS METRIC	THIRD ANGLE PROJECTION	
		mm INCH	DRAWN BY PGIBLIN	DATE 2005/11/18	TITLE MPO EMI ADAPTER 45 DEGRE 45 DEGREE (SNAP MOUNT)		MOLEX INCORPORATED		
		4 PLACES ± --- ± --- 3 PLACES ± --- ± --- 2 PLACES ± --- ± --- 1 PLACE ± --- ± ---	CHECKED BY DATE	APPROVED BY DATE					
		ANGULAR ±1/2°	MATERIAL NO. 1061144000	DOCUMENT NO. SD-106114-4000	SHEET NO. 1 OF 1				

DRAFT WHERE APPLICABLE
MUST REMAIN
WITHIN DIMENSIONS

THIS DRAWING CONTAINS INFORMATION THAT IS PROPRIETARY TO MOLEX INCORPORATED AND SHOULD NOT BE USED WITHOUT WRITTEN PERMISSION