

ENG. NO.  
SD\_35150-029\*

EDP NO.

SIMILAR ITEM

PROJECT NO.  
.070 W/W CONN'

8

7

6

5

4

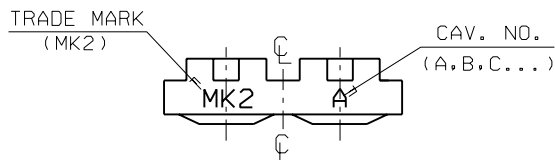
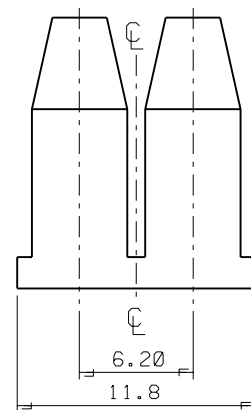
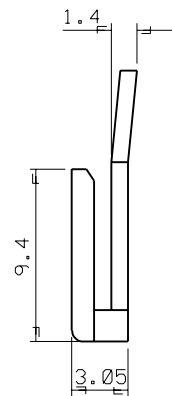
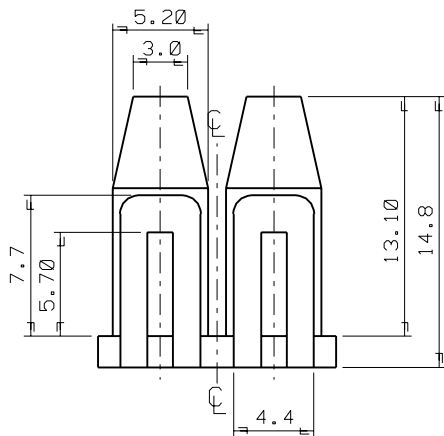
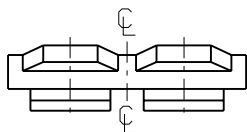
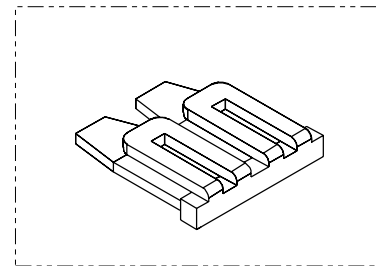
3

2

1

NOTES

- MATERIAL : NYLON 66 (UL94V-2)
- COLOR : 35150-0290 (NATURAL)  
35150-0292 (RED)  
35150-0293 (YELLOW)  
35150-0294 (BLUE)
- MATCHED HOUSING : 35150-020\*/021\*  
35151-021\*  
35150-040\*/041\*  
35151-041\*



				MATERIAL SEE NOTES		MOLEX-KOREA CO.,LTD.	
				GENERAL TOLERANCE		DRAWN BY J.S.KANG	
				DIMENSION : ±0.3		CHK'D BY	
				ANGLE : ±1°		APP'D BY	
				DIMENSION CLASSIFICATION		SCALE 4/1	
				▽: CRITICAL ▼: MAJOR		TITLE:	
				(): REFERENCE		6.2 PITCH W/W CONN'	
A	NEW RELEASED		95	3.10	DESCRIPTION/ ENG. NO.		SHEET 1 OF 1
LTR	REVISION RECORD	ECN	DATE			T.P.A - 2P	
REVISE ONLY ON CAD SYSTEM				---		ENG. NO. SD 35150-029*	
						REV A	