

⊕ ⊕ .015 ⊕ TAIL TO TAIL
 ⊕ ⊕ .020 ⊕ X ⊕ Y ⊕ TAIL TO INSULATOR

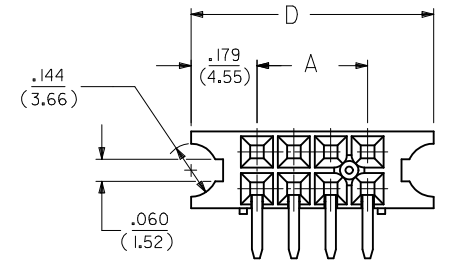
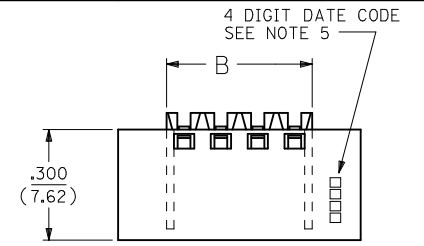
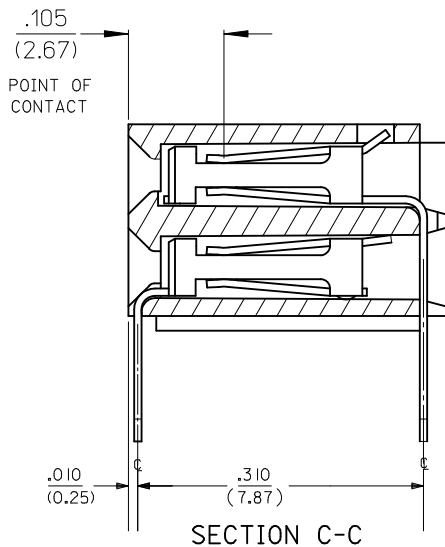
OPTION "A" ASSEMBLY
STANDARD HOUSING

NOTE FOR LEAD FREE CONVERSION:
THE PRIMARY SHIPPING CARTON WILL BE LABELED "COMPLIANT TO ROHS DIRECTIVE 2002/95/EC AND ELV ANNEX II OF DIRECTIVE 2000/53/EC". CARTONS WITHOUT THIS LABEL MAY CONTAIN PRODUCT WITH LEAD.

- NOTES:**
- 1.) MATERIAL -
INSULATOR - LCP, UL 94V-0, COLOR BLACK
CONTACTS - PHOSPHOR BRONZE
 - 2.) SEE SHT. 5 & 6 FOR CHART DIMENSIONS AND EDP NO.'S
 - 3.) RECOMMENDED MATING PIN LENGTH:
LOWER ROW - .200" MIN., .285" MAX.
UPPER ROW - .200" MIN.
 - 4.) REFER TO PRODUCT SPECIFICATION PS-71973-9999 FOR PERFORMANCE DATA
 - 5.) MANUFACTURED DATE CODE - YEAR, WEEK.
 - 6.) PACKAGING: FOR THIS PRODUCT IN TUBES SEE SHT. 6 & 7
FOR THIS PRODUCT IN TRAYS SEE SHT. 8 & 9

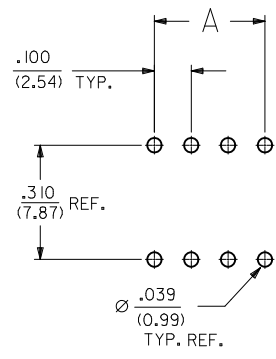
FINISHES

- 15 GOLD .000015 MINIMUM GOLD PLATE IN SELECT AREA OVER
.000050 MINIMUM NICKEL UNDERPLATE OVER-ALL WITH
.000075 MINIMUM TIN PLATE IN SELECT AREA.
- 30 GOLD .000030 MINIMUM GOLD PLATE IN SELECT AREA OVER
.000050 MINIMUM NICKEL UNDERPLATE OVER-ALL WITH
.000075 MINIMUM TIN PLATE IN SELECT AREA.
- 50 GOLD .000050 MINIMUM GOLD PLATE IN SELECT AREA OVER
.000050 MINIMUM NICKEL UNDERPLATE OVER-ALL WITH
.000100 MINIMUM TIN PLATE IN SELECT AREA.



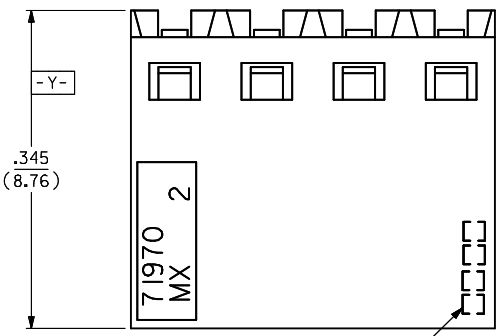
OPTION "B" ASSEMBLY
STD. HOUSING W/MOUNTING EARS
SCALE 4:1
REFER TO OPT. A FOR ALL OTHER INFORMATION

OPTION "J" ASSEMBLY
OPTION "J" IS THE SAME AS OPTION "B" EXCEPT
DATE CODE IS NOT STAMPED ON HOUSING.

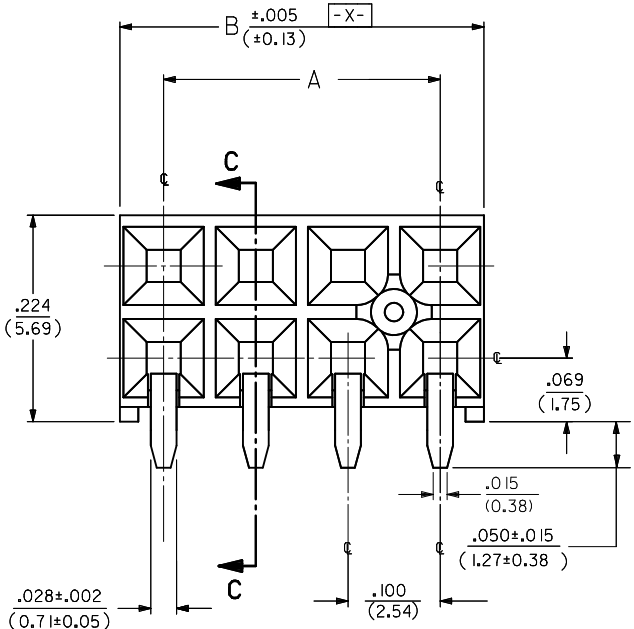


RECOMMENDED P.C.B. LAYOUT

| ADD OPTION K & L EC NO: S2010-0534 DRWN:SKANG 2009/12/30 CHKD:ATSEE 2010/01/08 APPR:MLONG 2010/01/14 | QUALITY SYMBOLS $F_A = 0$ $F_C = 0$ $F_P = 0$ | GENERAL TOLERANCES (UNLESS SPECIFIED) | | DIMENSION STYLE IN/MM | | SCALE NTS | DESIGN UNITS INCH | THIRD ANGLE PROJECTION | | | | | | | | | | | | | | | |
|---|--|---|--------------------|----------------------------------|---------------------------------------|-----------------------------|-----------------------------|------------------------|----------|-------|--------|----------|--------|-------|---------|-------|-------|-----------------|--------------------|---|--|--|--|
| | | <table border="1"> <tr> <th></th> <th>mm</th> <th>INCH</th> </tr> <tr> <td>4 PLACES</td> <td>± ---</td> <td>± ---</td> </tr> <tr> <td>3 PLACES</td> <td>± ---</td> <td>± .010</td> </tr> <tr> <td>2 PLACES</td> <td>± 0.25</td> <td>± ---</td> </tr> <tr> <td>1 PLACE</td> <td>± ---</td> <td>± ---</td> </tr> </table> | | mm | INCH | 4 PLACES | ± --- | ± --- | 3 PLACES | ± --- | ± .010 | 2 PLACES | ± 0.25 | ± --- | 1 PLACE | ± --- | ± --- | DRAWN BY DJB | DATE 1991/10/21 | TITLE EARLY ENTRY R/A RECPT .120"PC TAIL W/O LOWER ROW PINSTOP-.100" GRID | | | |
| | | | mm | INCH | | | | | | | | | | | | | | | | | | | |
| | | 4 PLACES | ± --- | ± --- | | | | | | | | | | | | | | | | | | | |
| 3 PLACES | ± --- | ± .010 | | | | | | | | | | | | | | | | | | | | | |
| 2 PLACES | ± 0.25 | ± --- | | | | | | | | | | | | | | | | | | | | | |
| 1 PLACE | ± --- | ± --- | | | | | | | | | | | | | | | | | | | | | |
| ANGULAR ± 1/2° | | CHECKED BY DJB | DATE 1991/10/21 | MOLEX INCORPORATED | | | | | | | | | | | | | | | | | | | |
| DRAFT WHERE APPLICABLE MUST REMAIN WITHIN DIMENSIONS | | APPROVED BY MLONG | DATE 2010/01/14 | MATERIAL NO. SEE TABLE | DOCUMENT NO. SDA-71973-**** | SHEET NO. 1 OF 26 | | | | | | | | | | | | | | | | | |



4 DIGIT DATE CODE
SEE NOTE 5



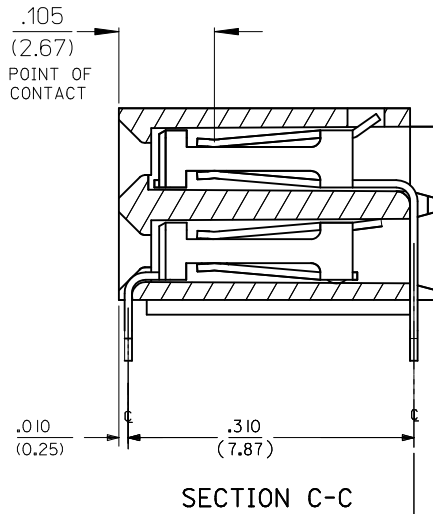
⊕ ∅ .015 (S) TAIL TO TAIL
⊕ ∅ .020 (S) X (S) Y (S) TAIL TO INSULATOR

OPTION "C" ASSEMBLY
STANDARD HOUSING

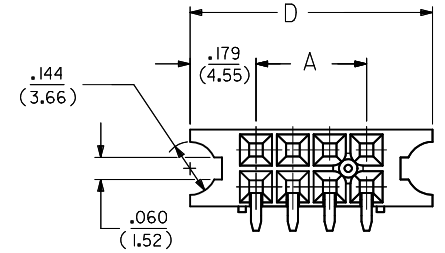
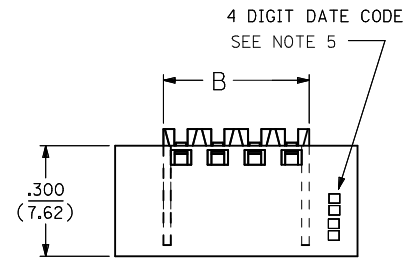
- NOTES:**
- MATERIAL-
INSULATOR - LCP, UL 94V-0, COLOR BLACK
CONTACTS - PHOSPHOR BRONZE
 - SEE SHT. 9 & 10 FOR CHART DIMENSIONS AND EDP NO.'S
 - RECOMMENDED MATING PIN LENGTH:
LOWER ROW - .200" MIN., .285" MAX.
UPPER ROW - .200" MIN.
 - REFER TO PRODUCT SPECIFICATION PS-71973-9999 FOR PERFORMANCE DATA
 - MANUFACTURED DATE CODE - YEAR, WEEK.
 - PACKAGING: FOR THIS PRODUCT IN TUBES SEE SHT. 10 & 11
FOR THIS PRODUCT IN TRAYS SEE SHT. 12 & 13

FINISHES

- 15 GOLD .000015 MINIMUM GOLD PLATE IN SELECT AREA OVER
.000050 MINIMUM NICKEL UNDERPLATE OVER-ALL WITH
.000075 MINIMUM TIN PLATE IN SELECT AREA.
- 30 GOLD .000030 MINIMUM GOLD PLATE IN SELECT AREA OVER
.000050 MINIMUM NICKEL UNDERPLATE OVER-ALL WITH
.000075 MINIMUM TIN PLATE IN SELECT AREA.
- 50 GOLD .000050 MINIMUM GOLD PLATE IN SELECT AREA OVER
.000050 MINIMUM NICKEL UNDERPLATE OVER-ALL WITH
.000100 MINIMUM TIN PLATE IN SELECT AREA.

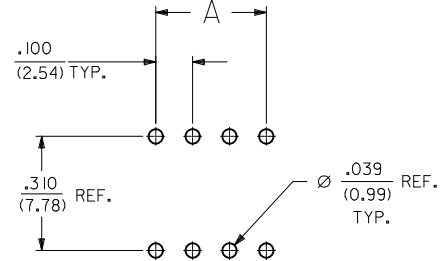


SECTION C-C



OPTION "D" ASSEMBLY
STD. HOUSING W/MOUNTING EARS
SCALE 4:1

REFER TO OPT. C FOR ALL OTHER INFORMATION



RECOMMENDED P.C.B. LAYOUT

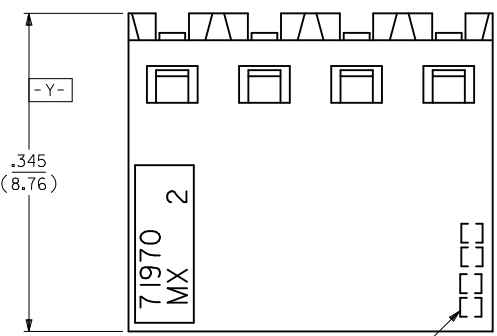
NOTE FOR LEAD FREE CONVERSION:
THE PRIMARY SHIPPING CARTON WILL BE LABELED "COMPLIANT TO RoHS DIRECTIVE 2002/95/EC AND ELV ANNEX II OF DIRECTIVE 2000/53/EC". CARTONS WITHOUT THIS LABEL MAY CONTAIN PRODUCT WITH LEAD.

| | | | | | | |
|--|--------------------|---------------------------------------|-----------------|-------|--------------|------------------------|
| ADD OPTION K & L EC NO: S2010-0534 DRWN:SKANG 2009/12/30 CHKD:ATSEE 2010/01/08 APPR:MLONG 2010/01/14 | QUALITY SYMBOLS | GENERAL TOLERANCES (UNLESS SPECIFIED) | DIMENSION STYLE | SCALE | DESIGN UNITS | THIRD ANGLE PROJECTION |
| | ▽ _A = 0 | mm INCH | IN/MM | NTS | INCH | ⊕ |
| | ▽ _E = 0 | 4 PLACES ± --- ± --- | DRAWN BY DATE | | | |
| | ▽ _F = 0 | 3 PLACES ± --- ± .010 | CHECKED BY DATE | | | |

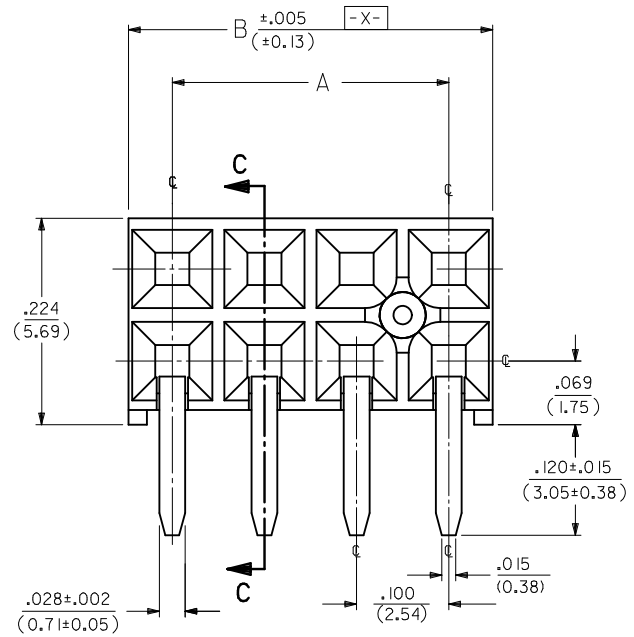
| | | |
|--|------------------|--------------|
| 4 PLACES ± --- ± --- | DRAWN BY DATE | TITLE |
| 3 PLACES ± --- ± .010 | CHECKED BY DATE | |
| 2 PLACES ± 0.25 ± --- | APPROVED BY DATE | |
| 1 PLACE ± --- ± --- | MLONG 2010/01/14 | |
| ANGULAR ± 1/2° | MATERIAL NO. | DOCUMENT NO. |
| DRAFT WHERE APPLICABLE MUST REMAIN WITHIN DIMENSIONS | SEE TABLE | |
| | SIZE A3 | |

| | | |
|--|--------------------|----------------|
| 1991/10/21 | 1991/10/21 | 2010/01/14 |
| EARLY ENTRY R/A RECPT | MOLEX INCORPORATED | SDA-71973-**** |
| .120" PC TAIL W/O LOWER ROW PINSTOP-.100" GRID | | |

| | |
|---|-------------------|
| MOLEX INCORPORATED | SHEET NO. 2 OF 26 |
| THIS DRAWING CONTAINS INFORMATION THAT IS PROPRIETARY TO MOLEX INCORPORATED AND SHOULD NOT BE USED WITHOUT WRITTEN PERMISSION | |



4 DIGIT DATE CODE
SEE NOTE 5



⊕ ∅ .015 (S) TAIL TO TAIL
⊕ ∅ .020 (S) X (S) Y (S) TAIL TO INSULATOR

OPTION "E" ASSEMBLY
STANDARD HOUSING

NOTE FOR LEAD FREE CONVERSION:

THE PRIMARY SHIPPING CARTON WILL BE LABELED "COMPLIANT TO ROHS DIRECTIVE 2002/95/EC AND ELV ANNEX II OF DIRECTIVE 2000/53/EC". CARTONS WITHOUT THIS LABEL MAY CONTAIN PRODUCT WITH LEAD.

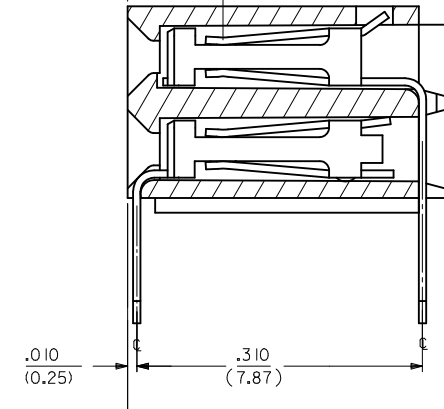
NOTES:

- 1.) MATERIAL -
INSULATOR - LCP, UL 94V-0, COLOR BLACK
CONTACTS - PHOSPHOR BRONZE
- 2.) SEE SHT. 13 & 14 FOR CHART DIMENSIONS AND EDP NO.'S
- 3.) RECOMMENDED MATING PIN LENGTH:
LOWER ROW - .200" MIN., .250" MAX.
UPPER ROW - .200" MIN.
- 4.) REFER TO PRODUCT SPECIFICATION PS-71973-9999 FOR PERFORMANCE DATA
- 5.) MANUFACTURED DATE CODE - YEAR, WEEK.
- 6.) PACKAGING: FOR THIS PRODUCT IN TUBES SEE SHT. 14 & 15
FOR THIS PRODUCT IN TRAYS SEE SHT. 16 & 17

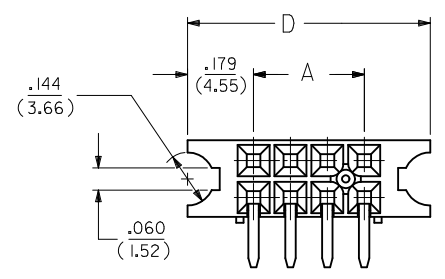
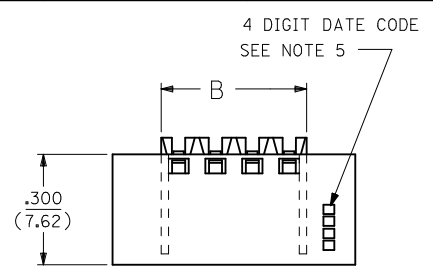
FINISHES

- 15 GOLD .000015 MINIMUM GOLD PLATE IN SELECT AREA OVER .000050 MINIMUM NICKEL UNDERPLATE OVER-ALL WITH .000075 MINIMUM TIN PLATE IN SELECT AREA.
- 30 GOLD .000030 MINIMUM GOLD PLATE IN SELECT AREA OVER .000050 MINIMUM NICKEL UNDERPLATE OVER-ALL WITH .000075 MINIMUM TIN PLATE IN SELECT AREA.
- 50 GOLD .000050 MINIMUM GOLD PLATE IN SELECT AREA OVER .000050 MINIMUM NICKEL UNDERPLATE OVER-ALL WITH .000100 MINIMUM TIN PLATE IN SELECT AREA.

.105
(2.67)
POINT OF CONTACT

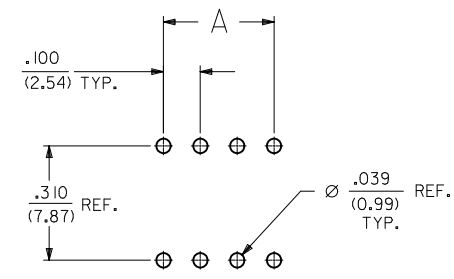


SECTION C-C



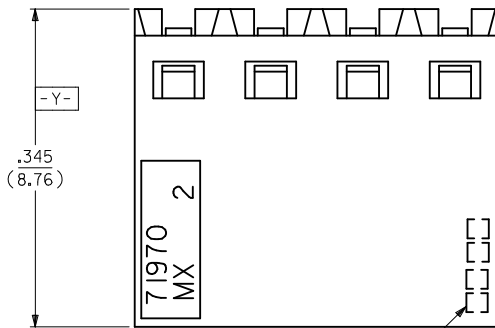
OPTION "F" ASSEMBLY
STD. HOUSING W/MOUNTING EARS
AND LOWER ROW PINSTOP
SCALE 4:1

REFER TO OPT. E FOR ALL OTHER INFORMATION

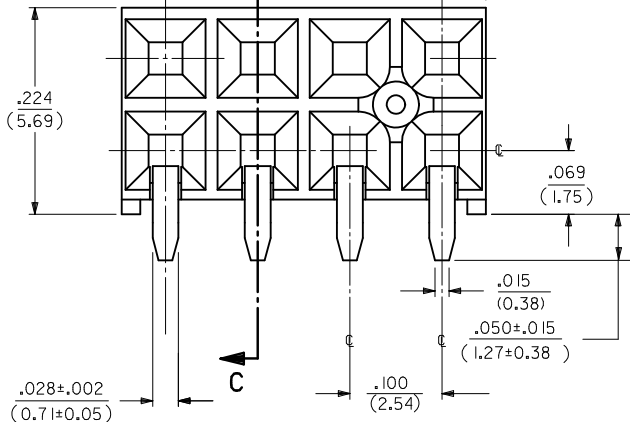
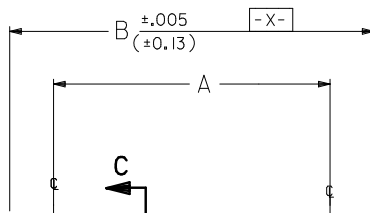


RECOMMENDED P.C.B. LAYOUT

| | | | | | | | | |
|--|--------------------|--|---|---|--------------|---|------------------------|--|
| ADD OPTION K & L EC NO: S2010-0534 DRWN:SKANG 2009/12/30 CHKD:ATSEE 2010/01/08 APPR:MLONG 2010/01/14 | DESCRIPTION REV | QUALITY SYMBOLS | GENERAL TOLERANCES (UNLESS SPECIFIED) | DIMENSION STYLE IN/MM | SCALE NTS | DESIGN UNITS INCH | THIRD ANGLE PROJECTION | |
| | | $F_A = 0$ $F_C = 0$ $F_P = 0$ | mm INCH 4 PLACES ± --- ± --- 3 PLACES ± --- ± .010 2 PLACES ± 0.25 ± --- 1 PLACE ± --- ± --- ANGULAR ± 1/2° | DRAWN BY: DJB DATE: 1991/10/21 CHECKED BY: DATE: DATE: 1991/10/21 APPROVED BY: DATE: 2010/01/14 | TITLE | EARLY ENTRY R/A RECPT .120" PC TAIL W/O LOWER ROW PINSTOP-.100" GRID | | |
| | | DRAFT WHERE APPLICABLE MUST REMAIN WITHIN DIMENSIONS | MATERIAL NO. DOCUMENT NO. SHEET NO. | MOLEX INCORPORATED SDA-71973-**** 3 OF 26 | | | | |
| | | SIZE A3 | THIS DRAWING CONTAINS INFORMATION THAT IS PROPRIETARY TO MOLEX INCORPORATED AND SHOULD NOT BE USED WITHOUT WRITTEN PERMISSION | | | | | |



4 DIGIT DATE CODE
SEE NOTE 5



⊕ ∅ .015 ⊕ TAIL TO TAIL
⊕ ∅ .020 ⊕ X ⊕ Y ⊕ TAIL TO INSULATOR

OPTION "G" ASSEMBLY
STANDARD HOUSING

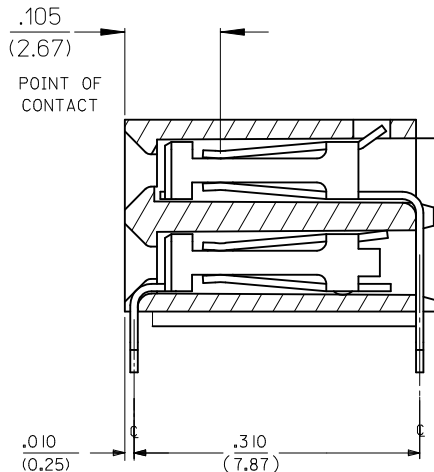
NOTE FOR LEAD FREE CONVERSION:

THE PRIMARY SHIPPING CARTON WILL BE LABELED *COMPLIANT TO RoHS DIRECTIVE 2002/95/EC AND ELV ANNEX II OF DIRECTIVE 2000/53/EC*. CARTONS WITHOUT THIS LABEL MAY CONTAIN PRODUCT WITH LEAD.

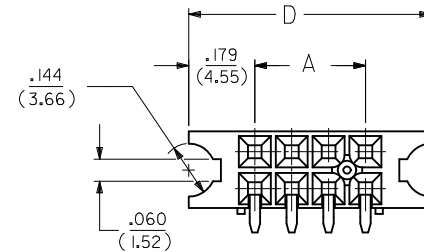
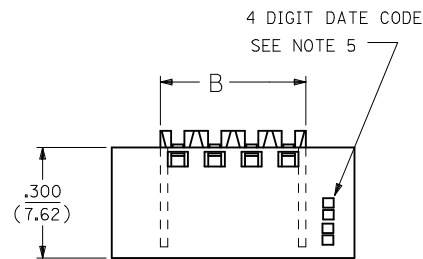
- NOTES:**
- MATERIAL -
INSULATOR - LCP, UL 94V-0, COLOR BLACK
CONTACTS - PHOSPHOR BRONZE
 - SEE SHT. 17 & 18 FOR CHART DIMENSIONS AND EDP NO.'S
 - RECOMMENDED MATING PIN LENGTH:
LOWER ROW - .200" MIN., .250" MAX.
UPPER ROW - .200" MIN.
 - REFER TO PRODUCT SPECIFICATION PS-71973-9999 FOR PERFORMANCE DATA
 - MANUFACTURED DATE CODE - YEAR, WEEK.
 - PACKAGING: FOR THIS PRODUCT IN TUBES SEE SHT. 18 & 19
FOR THIS PRODUCT IN TRAYS SEE SHT. 20 & 21

FINISHES

- 15 GOLD .000015 MINIMUM GOLD PLATE IN SELECT AREA OVER .000050 MINIMUM NICKEL UNDERPLATE OVER-ALL WITH .000075 MINIMUM TIN PLATE IN SELECT AREA.
- 30 GOLD .000030 MINIMUM GOLD PLATE IN SELECT AREA OVER .000050 MINIMUM NICKEL UNDERPLATE OVER-ALL WITH .000075 MINIMUM TIN PLATE IN SELECT AREA.
- 50 GOLD .000050 MINIMUM GOLD PLATE IN SELECT AREA OVER .000050 MINIMUM NICKEL UNDERPLATE OVER-ALL WITH .000100 MINIMUM TIN PLATE IN SELECT AREA.

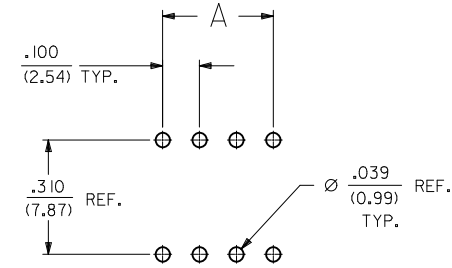


SECTION C-C



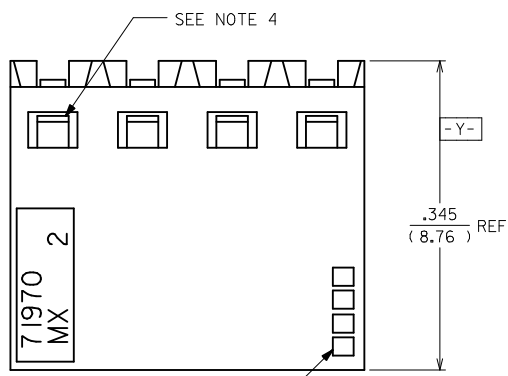
OPTION "H" ASSEMBLY
STD. HOUSING W/MOUNTING EARS
AND LOWER PINSTOP
SCALE 4:1

REFER TO OPT. G FOR ALL OTHER INFORMATION



RECOMMENDED P.C.B. LAYOUT

| | | | | | | | | | |
|---|--|---|--|---------------------------------|--------------------------------|---|----------------------|------------------------|--|
| ADD OPTION K & L EC NO: S2010-0534 DRWN:SKANG 2009/12/30 CHKD:ATSEE 2010/01/08 APPR:MLONG 2010/01/14 | QUALITY SYMBOLS $F_A = 0$ $F_G = 0$ $F_P = 0$ | GENERAL TOLERANCES (UNLESS SPECIFIED) | | DIMENSION STYLE IN/MM | | SCALE NTS | DESIGN UNITS INCH | THIRD ANGLE PROJECTION | |
| | | 4 PLACES ± --- ± --- 3 PLACES ± --- ± .010 2 PLACES ± 0.25 ± --- 1 PLACE ± --- ± --- | mm INCH | DRAWN BY DJB | DATE 1991/10/21 | TITLE EARLY ENTRY R/A RECPT .120"PC TAIL W/O LOWER ROW PINSTOP-.100" GRID | | | |
| | | ANGULAR ± 1/2° | DRAFT WHERE APPLICABLE MUST REMAIN WITHIN DIMENSIONS | CHECKED BY DJB | DATE 1991/10/21 | MOLEX INCORPORATED | | | |
| | | MATERIAL NO. SEE TABLE | APPROVED BY MLONG | DATE 2010/01/14 | DOCUMENT NO. SDA-71973-**** | SHEET NO. 4 OF 26 | | | |



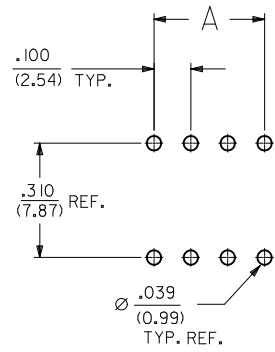
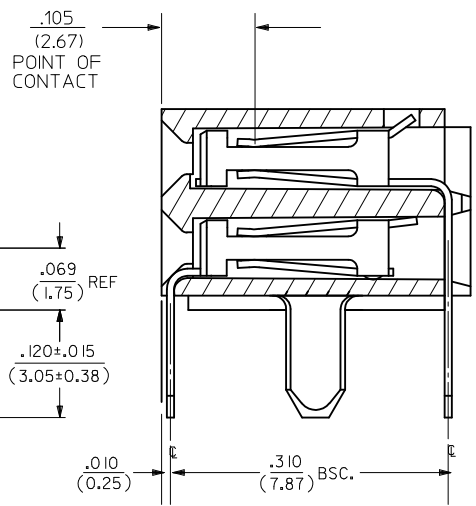
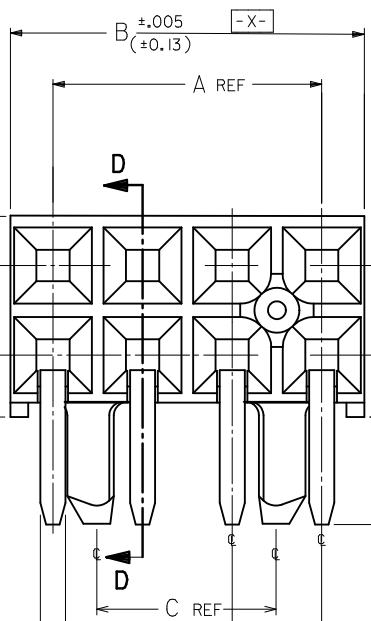
FINISHES

15 GOLD .000015 MINIMUM GOLD PLATE IN SELECT AREA OVER
.000050 MINIMUM NICKEL UNDERPLATE OVER-ALL WITH
.000075 MINIMUM TIN PLATE IN SELECT AREA.

30 GOLD .000030 MINIMUM GOLD PLATE IN SELECT AREA OVER
.000050 MINIMUM NICKEL UNDERPLATE OVER-ALL WITH
.000075 MINIMUM TIN PLATE IN SELECT AREA.

50 GOLD .000050 MINIMUM GOLD PLATE IN SELECT AREA OVER
.000050 MINIMUM NICKEL UNDERPLATE OVER-ALL WITH
.000100 MINIMUM TIN PLATE IN SELECT AREA.

- NOTES:**
- 1.) MATERIAL -
INSULATOR - LCP, UL 94V-0, COLOR BLACK
CONTACTS - PHOSPHOR BRONZE
 - 2.) SEE SHT. 25 FOR CHART DIMENSIONS AND ITEM NO.'S
 - 3.) RECOMMENDED MATING PIN LENGTH:
LOWER ROW - .200" MINIMUM, .285" MAX.
UPPER ROW - .200" MINIMUM
 - 4.) REFER TO PRODUCT SPECIFICATION PS-71973-9999 FOR PERFORMANCE DATA
 - 5.) MANUFACTURED DATE CODE - YEAR, WEEK.
 - 6.) PACKAGING: FOR THIS PRODUCT IN TUBES SEE SHT. 25

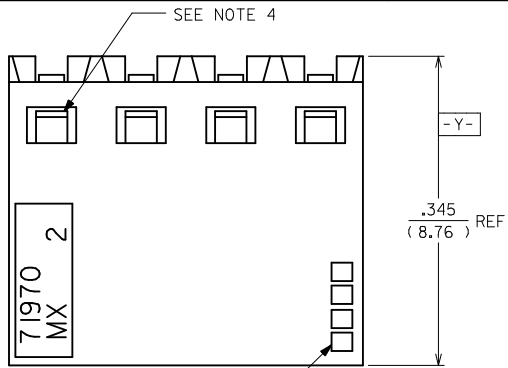


RECOMMENDED P.C.B. LAYOUT

OPTION "K" ASSEMBLY
STANDARD HOUSING W/ PEGS

$\oplus \text{ } \phi .015 \text{ } \textcircled{S}$ TAIL TO TAIL
 $\oplus \text{ } \phi .020 \text{ } \textcircled{X} \text{ } \textcircled{Y} \text{ } \textcircled{Z}$ TAIL TO INSULATOR
 (SEE NOTE 8)

| | | | | | | | | | | |
|--|-------------------------------------|---|---|-----------------|------------|-------|----------------|---|--|--|
| ADD OPTION K & L EC NO: S2010-0534 DRWN:SKANG 2009/12/30 CHKD:ATSEE 2010/01/08 APPR:MLONG 2010/01/14 | QUALITY SYMBOLS | GENERAL TOLERANCES (UNLESS SPECIFIED) | | DIMENSION STYLE | | SCALE | DESIGN UNITS | THIRD ANGLE PROJECTION | | |
| | $F_A = 0$ $F_C = 0$ $F_P = 0$ | mm INCH 4 PLACES ± --- ± --- 3 PLACES ± --- ± .010 2 PLACES ± 0.25 ± --- 1 PLACE ± --- ± --- ANGULAR ± 1/2° | IN/MM | DRAWN BY | DATE | NTS | INCH | TITLE | | |
| | | | | DJB | 1991/10/21 | | | EARLY ENTRY R/A RECPT .120"PC TAIL W/O LOWER ROW PINSTOP-.100" GRID | | |
| | | | | DJB | 1991/10/21 | | | MOLEX INCORPORATED | | |
| | | | MLONG | 2010/01/14 | | | DOCUMENT NO. | | | |
| | | | SEE TABLE | | | | SDA-71973-**** | | | |
| | | | DRAFT WHERE APPLICABLE MUST REMAIN WITHIN DIMENSIONS | | | | SHEET NO. | | | |
| | | | THIS DRAWING CONTAINS INFORMATION THAT IS PROPRIETARY TO MOLEX INCORPORATED AND SHOULD NOT BE USED WITHOUT WRITTEN PERMISSION | | | | 6 OF 26 | | | |



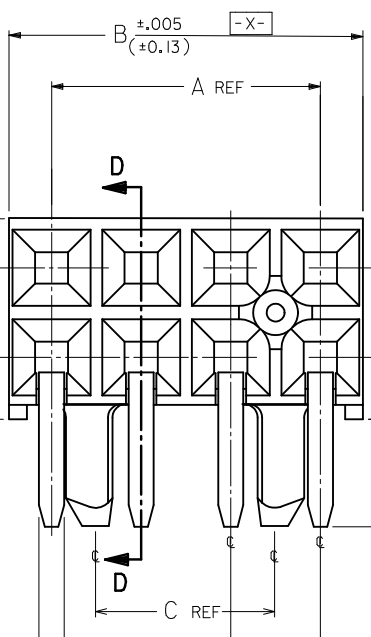
FINISHES

15 GOLD .000015 MINIMUM GOLD PLATE IN SELECT AREA OVER
.000050 MINIMUM NICKEL UNDERPLATE OVER-ALL WITH
.000075 MINIMUM TIN PLATE IN SELECT AREA.

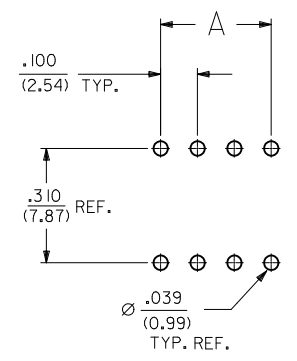
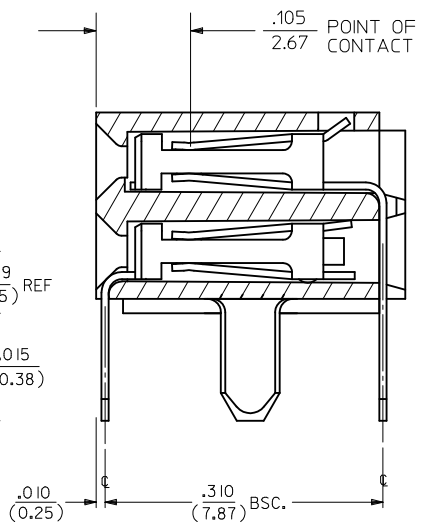
30 GOLD .000030 MINIMUM GOLD PLATE IN SELECT AREA OVER
.000050 MINIMUM NICKEL UNDERPLATE OVER-ALL WITH
.000075 MINIMUM TIN PLATE IN SELECT AREA.

50 GOLD .000050 MINIMUM GOLD PLATE IN SELECT AREA OVER
.000050 MINIMUM NICKEL UNDERPLATE OVER-ALL WITH
.000100 MINIMUM TIN PLATE IN SELECT AREA.

- NOTES:
- 1.) MATERIAL-
INSULATOR - LCP, UL 94V-0, COLOR BLACK
CONTACTS - PHOSPHOR BRONZE
 - 2.) SEE SHT. 22 FOR CHART DIMENSIONS AND ITEM NO.'S
 - 3.) RECOMMENDED MATING PIN LENGTH:
LOWER ROW - .200" MINIMUM, .250" MAX.
UPPER ROW - .200" MINIMUM
 - 4.) REFER TO PRODUCT SPECIFICATION PS-71973-9999 FOR PERFORMANCE DATA
 - 5.) MANUFACTURED DATE CODE - YEAR, WEEK.
 - 6.) PACKAGING: FOR THIS PRODUCT IN TUBES SEE SHT. 26



SECTION D-D



RECOMMENDED P.C.B. LAYOUT

.028±.002 (0.71±0.05)
 ⊕ ∅.015 ⊕ TAIL TO TAIL
 ⊕ ∅.020 ⊕ X ⊕ Y ⊕ TAIL TO INSULATOR
 (SEE NOTE 8)

OPTION "L" ASSEMBLY
STANDARD HOUSING W/ PEGS

| | | | | | | | | | | | |
|--|---|---|--------|-----------------|--------------|-----------------------------|--------------|---|--|--|--|
| ADD OPTION K & L EC NO: S2010-0534 DRWN:SKANG 2009/12/30 CHKD:ATSEE 2010/01/08 APPR:MLONG 2010/01/14 | DESCRIPTION QUALITY SYMBOLS F _A =0 F _C =0 F _P =0 | GENERAL TOLERANCES (UNLESS SPECIFIED) | | DIMENSION STYLE | | SCALE | DESIGN UNITS | THIRD ANGLE PROJECTION | | | |
| | | | | IN/MM | | NTS | INCH | | | | |
| | | | | mm | INCH | DRAWN BY | DATE | TITLE | | | |
| | | | | ± --- | ± --- | DJB | 1991/10/21 | EARLY ENTRY R/A RECPT .120"PC TAIL W/O LOWER ROW PINSTOP-.100" GRID | | | |
| | | ± --- | ± .010 | CHECKED BY | DATE | MOLEX INCORPORATED | | | | | |
| | | ± 0.25 | ± --- | DJB | 1991/10/21 | | | | | | |
| | | ± --- | ± --- | APPROVED BY | DATE | DOCUMENT NO. SDA-71973-**** | | | | | |
| | | ± --- | ± --- | MLONG | 2010/01/14 | | | | | | |
| | | ANGULAR ±1/2° | | | MATERIAL NO. | | SHEET NO. | | | | |
| | | DRAFT WHERE APPLICABLE MUST REMAIN WITHIN DIMENSIONS | | | SEE TABLE | | 7 OF 26 | | | | |
| | | THIS DRAWING CONTAINS INFORMATION THAT IS PROPRIETARY TO MOLEX INCORPORATED AND SHOULD NOT BE USED WITHOUT WRITTEN PERMISSION | | | | | | | | | |

| 10 | | 9 | | 8 | | 7 | | 6 | | 5 | | 4 | | 3 | | 2 | | 1 | | | | | | | | | | | | | | | | | | | | |
|-------------|-------|---|--|------------|------------|------------|------------------|------------------|---|---|--|-------------|--|---|------------|------------|------------|---------|--|------------------|------------------|--|--|--|--|--|--|--|--|--|--|--|--|--|--|--|--|--|
| NO. OF CKTS | | OPTION A ASSEMBLY PACKAGED IN TUBES PER PK-70873-0138 (SEE SHEET I FOR FINISH SPECIFICATIONS) | | | | | | DIMENSION | | | | NO. OF CKTS | | OPTION A ASSEMBLY PACKAGED IN TUBES PER PK-70873-0138 (SEE SHEET I FOR FINISH SPECIFICATIONS) | | | | | | DIMENSION | | | | | | | | | | | | | | | | | | |
| PER ROW | TOTAL | 15 GOLD | | 30 GOLD | | 50 GOLD | | A | B | | | | | 15 GOLD | | 30 GOLD | | 50 GOLD | | A | B | | | | | | | | | | | | | | | | | |
| 4 | 8 | | | 71973-0204 | 71973-0304 | 71973-0404 | .300 (7.62) | .395 (10.03) | | | | | | | 71973-0233 | 71973-0333 | 71973-0433 | | | 3.200 (81.28) | 3.295 (83.69) | | | | | | | | | | | | | | | | | |
| 5 | 10 | | | 71973-0205 | 71973-0305 | 71973-0405 | .400 (10.16) | .495 (12.57) | | | | | | | 71973-0234 | 71973-0334 | 71973-0434 | | | 3.300 (83.82) | 3.395 (86.23) | | | | | | | | | | | | | | | | | |
| 6 | 12 | | | 71973-0206 | 71973-0306 | 71973-0406 | .500 (12.70) | .595 (15.11) | | | | | | | 71973-0235 | 71973-0335 | 71973-0435 | | | 3.400 (86.36) | 3.495 (88.77) | | | | | | | | | | | | | | | | | |
| 7 | 14 | | | 71973-0207 | 71973-0307 | 71973-0407 | .600 (15.24) | .695 (17.65) | | | | | | | 71973-0236 | 71973-0336 | 71973-0436 | | | 3.500 (88.90) | 3.595 (91.31) | | | | | | | | | | | | | | | | | |
| 8 | 16 | | | 71973-0208 | 71973-0308 | 71973-0408 | .700 (17.78) | .795 (20.19) | | | | | | | | | | | | | | | | | | | | | | | | | | | | | | |
| 9 | 18 | | | 71973-0209 | 71973-0309 | 71973-0409 | .800 (20.32) | .895 (22.73) | | | | | | | | | | | | | | | | | | | | | | | | | | | | | | |
| 10 | 20 | | | 71973-0210 | 71973-0310 | 71973-0410 | .900 (22.86) | .995 (25.27) | | | | | | | | | | | | | | | | | | | | | | | | | | | | | | |
| 11 | 22 | | | 71973-0211 | 71973-0311 | 71973-0411 | 1.000 (25.40) | 1.095 (27.81) | | | | | | | | | | | | | | | | | | | | | | | | | | | | | | |
| 12 | 24 | | | 71973-0212 | 71973-0312 | 71973-0412 | 1.100 (27.94) | 1.195 (30.35) | | | | | | | | | | | | | | | | | | | | | | | | | | | | | | |
| 13 | 26 | | | 71973-0213 | 71973-0313 | 71973-0413 | 1.200 (30.48) | 1.295 (32.89) | | | | | | | | | | | | | | | | | | | | | | | | | | | | | | |
| 14 | 28 | | | 71973-0214 | 71973-0314 | 71973-0414 | 1.300 (33.02) | 1.395 (35.43) | | | | | | | | | | | | | | | | | | | | | | | | | | | | | | |
| 15 | 30 | | | 71973-0215 | 71973-0315 | 71973-0415 | 1.400 (35.56) | 1.495 (37.97) | | | | | | | | | | | | | | | | | | | | | | | | | | | | | | |
| 16 | 32 | | | 71973-0216 | 71973-0316 | 71973-0416 | 1.500 (38.10) | 1.595 (40.51) | | | | | | | | | | | | | | | | | | | | | | | | | | | | | | |
| 17 | 34 | | | 71973-0217 | 71973-0317 | 71973-0417 | 1.600 (40.64) | 1.695 (43.05) | | | | | | | | | | | | | | | | | | | | | | | | | | | | | | |
| 18 | 36 | | | 71973-0218 | 71973-0318 | 71973-0418 | 1.700 (43.18) | 1.795 (45.59) | | | | | | | | | | | | | | | | | | | | | | | | | | | | | | |
| 19 | 38 | | | 71973-0219 | 71973-0319 | 71973-0419 | 1.800 (45.72) | 1.895 (48.13) | | | | | | | | | | | | | | | | | | | | | | | | | | | | | | |
| 20 | 40 | | | 71973-0220 | 71973-0320 | 71973-0420 | 1.900 (48.26) | 1.995 (50.67) | | | | | | | | | | | | | | | | | | | | | | | | | | | | | | |
| 21 | 42 | | | 71973-0221 | 71973-0321 | 71973-0421 | 2.000 (50.80) | 2.095 (53.21) | | | | | | | | | | | | | | | | | | | | | | | | | | | | | | |
| 22 | 44 | | | 71973-0222 | 71973-0322 | 71973-0422 | 2.100 (53.34) | 2.195 (55.75) | | | | | | | | | | | | | | | | | | | | | | | | | | | | | | |
| 23 | 46 | | | 71973-0223 | 71973-0323 | 71973-0423 | 2.200 (55.88) | 2.295 (58.29) | | | | | | | | | | | | | | | | | | | | | | | | | | | | | | |
| 24 | 48 | | | 71973-0224 | 71973-0324 | 71973-0424 | 2.300 (58.42) | 2.395 (60.83) | | | | | | | | | | | | | | | | | | | | | | | | | | | | | | |
| 25 | 50 | | | 71973-0225 | 71973-0325 | 71973-0425 | 2.400 (60.96) | 2.495 (63.37) | | | | | | | | | | | | | | | | | | | | | | | | | | | | | | |
| 26 | 52 | | | 71973-0226 | 71973-0326 | 71973-0426 | 2.500 (63.50) | 2.595 (65.91) | | | | | | | | | | | | | | | | | | | | | | | | | | | | | | |
| 27 | 54 | | | 71973-0227 | 71973-0327 | 71973-0427 | 2.600 (66.04) | 2.695 (68.45) | | | | | | | | | | | | | | | | | | | | | | | | | | | | | | |
| 28 | 56 | | | 71973-0228 | 71973-0328 | 71973-0428 | 2.700 (68.58) | 2.795 (70.99) | | | | | | | | | | | | | | | | | | | | | | | | | | | | | | |
| 29 | 58 | | | 71973-0229 | 71973-0329 | 71973-0429 | 2.800 (71.12) | 2.895 (73.53) | | | | | | | | | | | | | | | | | | | | | | | | | | | | | | |
| 30 | 60 | | | 71973-0230 | 71973-0330 | 71973-0430 | 2.900 (73.66) | 2.995 (76.07) | | | | | | | | | | | | | | | | | | | | | | | | | | | | | | |
| 31 | 62 | | | 71973-0231 | 71973-0331 | 71973-0431 | 3.000 (76.20) | 3.095 (78.61) | | | | | | | | | | | | | | | | | | | | | | | | | | | | | | |
| 32 | 64 | | | 71973-0232 | 71973-0332 | 71973-0432 | 3.100 (78.74) | 3.195 (81.15) | | | | | | | | | | | | | | | | | | | | | | | | | | | | | | |

| ADD OPTION K & L EC NO: S2010-0534 DRWN:SKANG 2009/12/30 CHKD:ATSEE 2010/01/08 APPR:MLONG 2010/01/14 | QUALITY SYMBOLS $F_A=0$ $F_G=0$ $F_P=0$ | GENERAL TOLERANCES (UNLESS SPECIFIED) | | DIMENSION STYLE IN/MM | | SCALE NTS | DESIGN UNITS INCH | THIRD ANGLE PROJECTION | | | | | | | | | | | | | | | | | | | | | | | | | | | |
|---|--|---|-------|--------------------------|----|--------------------|----------------------|--|-------|----------|-------|--------|----------|--------|-------|---------|-------|-------|---|--|----------|------|-----|------------|------------|------|-----|------------|-------------|------|-------|------------|-------|--|--|
| | | <table border="1"> <tr> <th></th> <th>mm</th> <th>INCH</th> </tr> <tr> <td>4 PLACES</td> <td>± ---</td> <td>± ---</td> </tr> <tr> <td>3 PLACES</td> <td>± ---</td> <td>± .010</td> </tr> <tr> <td>2 PLACES</td> <td>± 0.25</td> <td>± ---</td> </tr> <tr> <td>1 PLACE</td> <td>± ---</td> <td>± ---</td> </tr> </table> | | | mm | INCH | 4 PLACES | ± --- | ± --- | 3 PLACES | ± --- | ± .010 | 2 PLACES | ± 0.25 | ± --- | 1 PLACE | ± --- | ± --- | <table border="1"> <tr> <th>DRAWN BY</th> <th>DATE</th> </tr> <tr> <td>DJB</td> <td>1991/10/21</td> </tr> <tr> <th>CHECKED BY</th> <th>DATE</th> </tr> <tr> <td>DJB</td> <td>1991/10/21</td> </tr> <tr> <th>APPROVED BY</th> <th>DATE</th> </tr> <tr> <td>MLONG</td> <td>2010/01/14</td> </tr> </table> | | DRAWN BY | DATE | DJB | 1991/10/21 | CHECKED BY | DATE | DJB | 1991/10/21 | APPROVED BY | DATE | MLONG | 2010/01/14 | TITLE | EARLY ENTRY R/A RECPT .120"PC TAIL W/O LOWER ROW PINSTOP-.100" GRID | |
| | | | mm | INCH | | | | | | | | | | | | | | | | | | | | | | | | | | | | | | | |
| | | 4 PLACES | ± --- | ± --- | | | | | | | | | | | | | | | | | | | | | | | | | | | | | | | |
| 3 PLACES | ± --- | ± .010 | | | | | | | | | | | | | | | | | | | | | | | | | | | | | | | | | |
| 2 PLACES | ± 0.25 | ± --- | | | | | | | | | | | | | | | | | | | | | | | | | | | | | | | | | |
| 1 PLACE | ± --- | ± --- | | | | | | | | | | | | | | | | | | | | | | | | | | | | | | | | | |
| DRAWN BY | DATE | | | | | | | | | | | | | | | | | | | | | | | | | | | | | | | | | | |
| DJB | 1991/10/21 | | | | | | | | | | | | | | | | | | | | | | | | | | | | | | | | | | |
| CHECKED BY | DATE | | | | | | | | | | | | | | | | | | | | | | | | | | | | | | | | | | |
| DJB | 1991/10/21 | | | | | | | | | | | | | | | | | | | | | | | | | | | | | | | | | | |
| APPROVED BY | DATE | | | | | | | | | | | | | | | | | | | | | | | | | | | | | | | | | | |
| MLONG | 2010/01/14 | | | | | | | | | | | | | | | | | | | | | | | | | | | | | | | | | | |
| DRAFT WHERE APPLICABLE MUST REMAIN WITHIN DIMENSIONS | | ANGULAR ±1/2° | | SEE TABLE | | MOLEX INCORPORATED | | MATERIAL NO. SDA-71973-**** SHEET NO. 8 OF 26 | | | | | | | | | | | | | | | | | | | | | | | | | | | |

| 10 | | 9 | | 8 | | 7 | | 6 | | 5 | | 4 | | 3 | | 2 | | 1 | | | | | |
|-------------|-------|--|------------|------------|------------|------------|------------------|------------------|--|------------------|---------|-------------|------------------------|--|------------|------------|------------|------------------|------------------|-----------|------------------|--|--|
| NO. OF CKTS | | OPTION B ASSEMBLY PACKAGED IN TUBES PER PK-70873-0139 (SEE SHEET I FOR PLATING SPECIFICATIONS) | | | | | | DIMENSION | | | | NO. OF CKTS | | OPTION B ASSEMBLY PACKAGED IN TUBES PER PK-70873-0139 (SEE SHEET I FOR PLATING SPECIFICATIONS) | | | | | | DIMENSION | | | |
| PER ROW | TOTAL | OPT. J ASSY 15 GOLD | | 15 GOLD | 30 GOLD | 50 GOLD | A | B | | D | PER ROW | TOTAL | OPT. J ASSY 15 GOLD | | 15 GOLD | 30 GOLD | 50 GOLD | A | B | | D | | |
| 4 | 8 | | | 71973-1004 | 71973-1104 | 71973-1204 | .300 (7.62) | .395 (10.03) | | .658 (16.71) | 33 | 66 | | | 71973-1033 | 71973-1133 | 71973-1233 | 3.200 (81.28) | 3.295 (83.69) | | 3.558 (90.37) | | |
| 5 | 10 | | | 71973-1005 | 71973-1105 | 71973-1205 | .400 (10.16) | .495 (12.57) | | .758 (19.25) | 34 | 68 | | | 71973-1034 | 71973-1134 | 71973-1234 | 3.300 (83.82) | 3.395 (86.23) | | 3.658 (92.91) | | |
| 6 | 12 | | | 71973-1006 | 71973-1106 | 71973-1206 | .500 (12.70) | .595 (15.11) | | .858 (21.79) | 35 | 70 | | | 71973-1035 | 71973-1135 | 71973-1235 | 3.400 (86.36) | 3.495 (88.77) | | 3.758 (95.45) | | |
| 7 | 14 | | | 71973-1007 | 71973-1107 | 71973-1207 | .600 (15.24) | .695 (17.65) | | .958 (24.33) | 36 | 72 | | | 71973-1036 | 71973-1136 | 71973-1236 | 3.500 (88.90) | 3.595 (91.31) | | 3.858 (97.99) | | |
| 8 | 16 | | | 71973-1008 | 71973-1108 | 71973-1208 | .700 (17.78) | .795 (20.19) | | 1.058 (26.87) | | | | | | | | | | | | | |
| 9 | 18 | | | 71973-1009 | 71973-1109 | 71973-1209 | .800 (20.32) | .895 (22.73) | | 1.158 (29.41) | | | | | | | | | | | | | |
| 10 | 20 | | | 71973-1010 | 71973-1110 | 71973-1210 | .900 (22.86) | .995 (25.27) | | 1.258 (31.95) | | | | | | | | | | | | | |
| 11 | 22 | | | 71973-1011 | 71973-1111 | 71973-1211 | 1.000 (25.40) | 1.095 (27.81) | | 1.358 (34.49) | | | | | | | | | | | | | |
| 12 | 24 | | | 71973-1012 | 71973-1112 | 71973-1212 | 1.100 (27.94) | 1.195 (30.35) | | 1.458 (37.03) | | | | | | | | | | | | | |
| 13 | 26 | | | 71973-1013 | 71973-1113 | 71973-1213 | 1.200 (30.48) | 1.295 (32.89) | | 1.558 (39.57) | | | | | | | | | | | | | |
| 14 | 28 | | | 71973-1014 | 71973-1114 | 71973-1214 | 1.300 (33.02) | 1.395 (35.43) | | 1.658 (42.11) | | | | | | | | | | | | | |
| 15 | 30 | | 71973-1315 | 71973-1015 | 71973-1115 | 71973-1215 | 1.400 (35.56) | 1.495 (37.97) | | 1.758 (44.65) | | | | | | | | | | | | | |
| 16 | 32 | | | 71973-1016 | 71973-1116 | 71973-1216 | 1.500 (38.10) | 1.595 (40.51) | | 1.858 (47.19) | | | | | | | | | | | | | |
| 17 | 34 | | | 71973-1017 | 71973-1117 | 71973-1217 | 1.600 (40.64) | 1.695 (43.05) | | 1.958 (49.73) | | | | | | | | | | | | | |
| 18 | 36 | | | 71973-1018 | 71973-1118 | 71973-1218 | 1.700 (43.18) | 1.795 (45.59) | | 2.058 (52.27) | | | | | | | | | | | | | |
| 19 | 38 | | | 71973-1019 | 71973-1119 | 71973-1219 | 1.800 (45.72) | 1.895 (48.13) | | 2.158 (54.81) | | | | | | | | | | | | | |
| 20 | 40 | | 71973-1320 | 71973-1020 | 71973-1120 | 71973-1220 | 1.900 (48.26) | 1.995 (50.67) | | 2.258 (57.35) | | | | | | | | | | | | | |
| 21 | 42 | | | 71973-1021 | 71973-1121 | 71973-1221 | 2.000 (50.80) | 2.095 (53.21) | | 2.358 (59.89) | | | | | | | | | | | | | |
| 22 | 44 | | | 71973-1022 | 71973-1122 | 71973-1222 | 2.100 (53.34) | 2.195 (55.75) | | 2.458 (62.43) | | | | | | | | | | | | | |
| 23 | 46 | | | 71973-1023 | 71973-1123 | 71973-1223 | 2.200 (55.88) | 2.295 (58.29) | | 2.558 (64.97) | | | | | | | | | | | | | |
| 24 | 48 | | | 71973-1024 | 71973-1124 | 71973-1224 | 2.300 (58.42) | 2.395 (60.83) | | 2.658 (67.51) | | | | | | | | | | | | | |
| 25 | 50 | | | 71973-1025 | 71973-1125 | 71973-1225 | 2.400 (60.96) | 2.495 (63.37) | | 2.758 (70.05) | | | | | | | | | | | | | |
| 26 | 52 | | | 71973-1026 | 71973-1126 | 71973-1226 | 2.500 (63.50) | 2.595 (65.91) | | 2.858 (72.59) | | | | | | | | | | | | | |
| 27 | 54 | | | 71973-1027 | 71973-1127 | 71973-1227 | 2.600 (66.04) | 2.695 (68.45) | | 2.958 (75.13) | | | | | | | | | | | | | |
| 28 | 56 | | | 71973-1028 | 71973-1128 | 71973-1228 | 2.700 (68.58) | 2.795 (70.99) | | 3.058 (77.67) | | | | | | | | | | | | | |
| 29 | 58 | | | 71973-1029 | 71973-1129 | 71973-1229 | 2.800 (71.12) | 2.895 (73.53) | | 3.158 (80.21) | | | | | | | | | | | | | |
| 30 | 60 | | | 71973-1030 | 71973-1130 | 71973-1230 | 2.900 (73.66) | 2.995 (76.07) | | 3.258 (82.75) | | | | | | | | | | | | | |
| 31 | 62 | | | 71973-1031 | 71973-1131 | 71973-1231 | 3.000 (76.20) | 3.095 (78.61) | | 3.358 (85.29) | | | | | | | | | | | | | |
| 32 | 64 | | | 71973-1032 | 71973-1132 | 71973-1232 | 3.100 (78.74) | 3.195 (81.15) | | 3.458 (87.83) | | | | | | | | | | | | | |

| <p>OPTION "J" IS THE SAME AS "B" EXCEPT DATE CODE IS NOT STAMPED ON HOUSING.</p> | <p>ADD OPTION K & L EC NO: S2010-0534 DRWN:SKANG 2009/12/30 CHKD:ATSEE 2010/01/08 APPR:MLONG 2010/01/14</p> | <p>QUALITY SYMBOLS ▽_A=0 ▽_C=0 ▽_P=0</p> | GENERAL TOLERANCES (UNLESS SPECIFIED) | | DIMENSION STYLE IN/MM | | SCALE NTS | DESIGN UNITS INCH | THIRD ANGLE PROJECTION | | | | | | | | | | | | | | | | | |
|--|---|--|---|----------------------|--------------------------|----------------------|--------------|--|------------------------|-------|----------|-------|--------|----------|--------|-------|---------|-------|-------|-----------------|--|--------------------|--|--|--------------------|--|
| | | | <table border="1"> <tr> <th></th> <th>mm</th> <th>INCH</th> </tr> <tr> <td>4 PLACES</td> <td>± ---</td> <td>± ---</td> </tr> <tr> <td>3 PLACES</td> <td>± ---</td> <td>± .010</td> </tr> <tr> <td>2 PLACES</td> <td>± 0.25</td> <td>± ---</td> </tr> <tr> <td>1 PLACE</td> <td>± ---</td> <td>± ---</td> </tr> </table> | | | mm | INCH | 4 PLACES | ± --- | ± --- | 3 PLACES | ± --- | ± .010 | 2 PLACES | ± 0.25 | ± --- | 1 PLACE | ± --- | ± --- | DRAWN BY DJB | | DATE 1991/10/21 | TITLE EARLY ENTRY R/A RECPT .120"PC TAIL W/O LOWER ROW PINSTOP-.100" GRID | | MOLEX INCORPORATED | |
| | | | | mm | INCH | | | | | | | | | | | | | | | | | | | | | |
| | | | 4 PLACES | ± --- | ± --- | | | | | | | | | | | | | | | | | | | | | |
| 3 PLACES | ± --- | ± .010 | | | | | | | | | | | | | | | | | | | | | | | | |
| 2 PLACES | ± 0.25 | ± --- | | | | | | | | | | | | | | | | | | | | | | | | |
| 1 PLACE | ± --- | ± --- | | | | | | | | | | | | | | | | | | | | | | | | |
| CHECKED BY DJB | | DATE 1991/10/21 | | APPROVED BY MLONG | | DATE 2010/01/14 | | DOCUMENT NO. SDA-71973-**** | | | | | | | | | | | | | | | | | | |
| DRAFT WHERE APPLICABLE MUST REMAIN WITHIN DIMENSIONS | | SEE TABLE | | MATERIAL NO. | | SHEET NO. 9 OF 26 | | THIS DRAWING CONTAINS INFORMATION THAT IS PROPRIETARY TO MOLEX INCORPORATED AND SHOULD NOT BE USED WITHOUT WRITTEN PERMISSION | | | | | | | | | | | | | | | | | | |

| 10 | | 9 | | 8 | | 7 | | 6 | | 5 | | 4 | | 3 | | 2 | | 1 | | | | | |
|-------------|-------|---|--|------------|------------|------------|------------------|------------------|---|---|--|-------------|--|---|------------|------------|------------------|------------------|--|-----------|--|--|--|
| NO. OF CKTS | | OPTION A ASSEMBLY PACKAGED IN TRAYS PER PK-70873-0239 (SEE SHEET 1 FOR FINISH SPECIFICATIONS) | | | | | | DIMENSION | | | | NO. OF CKTS | | OPTION A ASSEMBLY PACKAGED IN TRAYS PER PK-70873-0239 (SEE SHEET 1 FOR FINISH SPECIFICATIONS) | | | | | | DIMENSION | | | |
| PER ROW | TOTAL | 15 GOLD | | 30 GOLD | | 50 GOLD | | A | B | | | | | 15 GOLD | 30 GOLD | 50 GOLD | A | B | | | | | |
| 4 | 8 | | | 71973-6604 | 71973-6704 | 71973-6804 | .300 (7.62) | .395 (10.03) | | | | | | 71973-6633 | 71973-6733 | 71973-6833 | 3.200 (81.28) | 3.295 (83.69) | | | | | |
| 5 | 10 | | | 71973-6605 | 71973-6705 | 71973-6805 | .400 (10.16) | .495 (12.57) | | | | | | 71973-6634 | 71973-6734 | 71973-6834 | 3.300 (83.82) | 3.395 (86.23) | | | | | |
| 6 | 12 | | | 71973-6606 | 71973-6706 | 71973-6806 | .500 (12.70) | .595 (15.11) | | | | | | 71973-6635 | 71973-6735 | 71973-6835 | 3.400 (86.36) | 3.495 (88.77) | | | | | |
| 7 | 14 | | | 71973-6607 | 71973-6707 | 71973-6807 | .600 (15.24) | .695 (17.65) | | | | | | 71973-6636 | 71973-6736 | 71973-6836 | 3.500 (88.90) | 3.595 (91.31) | | | | | |
| 8 | 16 | | | 71973-6608 | 71973-6708 | 71973-6808 | .700 (17.78) | .795 (20.19) | | | | | | | | | | | | | | | |
| 9 | 18 | | | 71973-6609 | 71973-6709 | 71973-6809 | .800 (20.32) | .895 (22.73) | | | | | | | | | | | | | | | |
| 10 | 20 | | | 71973-6610 | 71973-6710 | 71973-6810 | .900 (22.86) | .995 (25.27) | | | | | | | | | | | | | | | |
| 11 | 22 | | | 71973-6611 | 71973-6711 | 71973-6811 | 1.000 (25.40) | 1.095 (27.81) | | | | | | | | | | | | | | | |
| 12 | 24 | | | 71973-6612 | 71973-6712 | 71973-6812 | 1.100 (27.94) | 1.195 (30.35) | | | | | | | | | | | | | | | |
| 13 | 26 | | | 71973-6613 | 71973-6713 | 71973-6813 | 1.200 (30.48) | 1.295 (32.89) | | | | | | | | | | | | | | | |
| 14 | 28 | | | 71973-6614 | 71973-6714 | 71973-6814 | 1.300 (33.02) | 1.395 (35.43) | | | | | | | | | | | | | | | |
| 15 | 30 | | | 71973-6615 | 71973-6715 | 71973-6815 | 1.400 (35.56) | 1.495 (37.97) | | | | | | | | | | | | | | | |
| 16 | 32 | | | 71973-6616 | 71973-6716 | 71973-6816 | 1.500 (38.10) | 1.595 (40.51) | | | | | | | | | | | | | | | |
| 17 | 34 | | | 71973-6617 | 71973-6717 | 71973-6817 | 1.600 (40.64) | 1.695 (43.05) | | | | | | | | | | | | | | | |
| 18 | 36 | | | 71973-6618 | 71973-6718 | 71973-6818 | 1.700 (43.18) | 1.795 (45.59) | | | | | | | | | | | | | | | |
| 19 | 38 | | | 71973-6619 | 71973-6719 | 71973-6819 | 1.800 (45.72) | 1.895 (48.13) | | | | | | | | | | | | | | | |
| 20 | 40 | | | 71973-6620 | 71973-6720 | 71973-6820 | 1.900 (48.26) | 1.995 (50.67) | | | | | | | | | | | | | | | |
| 21 | 42 | | | 71973-6621 | 71973-6721 | 71973-6821 | 2.000 (50.80) | 2.095 (53.21) | | | | | | | | | | | | | | | |
| 22 | 44 | | | 71973-6622 | 71973-6722 | 71973-6822 | 2.100 (53.34) | 2.195 (55.75) | | | | | | | | | | | | | | | |
| 23 | 46 | | | 71973-6623 | 71973-6723 | 71973-6823 | 2.200 (55.88) | 2.295 (58.29) | | | | | | | | | | | | | | | |
| 24 | 48 | | | 71973-6624 | 71973-6724 | 71973-6824 | 2.300 (58.42) | 2.395 (60.83) | | | | | | | | | | | | | | | |
| 25 | 50 | | | 71973-6625 | 71973-6725 | 71973-6825 | 2.400 (60.96) | 2.495 (63.37) | | | | | | | | | | | | | | | |
| 26 | 52 | | | 71973-6626 | 71973-6726 | 71973-6826 | 2.500 (63.50) | 2.595 (65.91) | | | | | | | | | | | | | | | |
| 27 | 54 | | | 71973-6627 | 71973-6727 | 71973-6827 | 2.600 (66.04) | 2.695 (68.45) | | | | | | | | | | | | | | | |
| 28 | 56 | | | 71973-6628 | 71973-6728 | 71973-6828 | 2.700 (68.58) | 2.795 (70.99) | | | | | | | | | | | | | | | |
| 29 | 58 | | | 71973-6629 | 71973-6729 | 71973-6829 | 2.800 (71.12) | 2.895 (73.53) | | | | | | | | | | | | | | | |
| 30 | 60 | | | 71973-6630 | 71973-6730 | 71973-6830 | 2.900 (73.66) | 2.995 (76.07) | | | | | | | | | | | | | | | |
| 31 | 62 | | | 71973-6631 | 71973-6731 | 71973-6831 | 3.000 (76.20) | 3.095 (78.61) | | | | | | | | | | | | | | | |
| 32 | 64 | | | 71973-6632 | 71973-6732 | 71973-6832 | 3.100 (78.74) | 3.195 (81.15) | | | | | | | | | | | | | | | |

| | | | | | | | | | |
|--|--|---|--|---|--|---|----------------------|------------------------|--|
| ADD OPTION K & L EC NO: S2010-0534 DRWN:SKANG 2009/12/30 CHKD:ATSEE 2010/01/08 APPR:MLONG 2010/01/14 K | QUALITY SYMBOLS $F_A=0$ $F_G=0$ $F_P=0$ | GENERAL TOLERANCES (UNLESS SPECIFIED) | | DIMENSION STYLE IN/MM | | SCALE NTS | DESIGN UNITS INCH | THIRD ANGLE PROJECTION | |
| | | 4 PLACES ± --- ± --- 3 PLACES ± --- ± .010 2 PLACES ± 0.25 ± --- 1 PLACE ± --- ± --- | mm INCH DRAWN BY DJB DATE 1991/10/21 CHECKED BY DJB DATE 1991/10/21 APPROVED BY MLONG DATE 2010/01/14 | TITLE EARLY ENTRY R/A RECPT .120"PC TAIL W/O LOWER ROW PINSTOP-.100" GRID | | MOLEX INCORPORATED | | | |
| | | ANGULAR ± 1/2° | | MATERIAL NO. SEE TABLE | | DOCUMENT NO. SDA-71973-**** | | SHEET NO. 10 OF 26 | |
| | | DRAFT WHERE APPLICABLE MUST REMAIN WITHIN DIMENSIONS | | SIZE A3 | | THIS DRAWING CONTAINS INFORMATION THAT IS PROPRIETARY TO MOLEX INCORPORATED AND SHOULD NOT BE USED WITHOUT WRITTEN PERMISSION | | | |

| NO. OF CKTS | | OPTION B ASSEMBLY PACKAGED IN TRAYS PER PK-70873-0239 (SEE SHEET 1 FOR FINISH SPECIFICATIONS) | | | | | DIMENSION | | | NO. OF CKTS | | OPTION B ASSEMBLY PACKAGED IN TRAYS PER PK-70873-0239 (SEE SHEET 1 FOR FINISH SPECIFICATIONS) | | | | | DIMENSION | | | | | | |
|-------------|-------|---|--|------------|------------|------------|------------------|------------------|------------------|-------------|---|---|-------|---------|--|------------|------------|------------|------------------|------------------|------------------|---|---|
| PER ROW | TOTAL | 15 GOLD | | | 30 GOLD | | 50 GOLD | | A | B | D | PER ROW | TOTAL | 15 GOLD | | | 30 GOLD | | 50 GOLD | | A | B | D |
| 4 | 8 | | | 71973-7004 | 71973-7104 | 71973-7204 | .300 (7.62) | .395 (10.03) | .658 (16.71) | | | 33 | 66 | | | 71973-7033 | 71973-7133 | 71973-7233 | 3.200 (81.28) | 3.295 (83.69) | 3.558 (90.37) | | |
| 5 | 10 | | | 71973-7005 | 71973-7105 | 71973-7205 | .400 (10.16) | .495 (12.57) | .758 (19.25) | | | 34 | 68 | | | 71973-7034 | 71973-7134 | 71973-7234 | 3.300 (83.82) | 3.395 (86.23) | 3.658 (92.91) | | |
| 6 | 12 | | | 71973-7006 | 71973-7106 | 71973-7206 | .500 (12.70) | .595 (15.11) | .858 (21.79) | | | 35 | 70 | | | 71973-7035 | 71973-7135 | 71973-7235 | 3.400 (86.36) | 3.495 (88.77) | 3.758 (95.45) | | |
| 7 | 14 | | | 71973-7007 | 71973-7107 | 71973-7207 | .600 (15.24) | .695 (17.65) | .958 (24.33) | | | 36 | 72 | | | 71973-7036 | 71973-7136 | 71973-7236 | 3.500 (88.90) | 3.595 (91.31) | 3.858 (97.99) | | |
| 8 | 16 | | | 71973-7008 | 71973-7108 | 71973-7208 | .700 (17.78) | .795 (20.19) | 1.058 (26.87) | | | | | | | | | | | | | | |
| 9 | 18 | | | 71973-7009 | 71973-7109 | 71973-7209 | .800 (20.32) | .895 (22.73) | 1.158 (29.41) | | | | | | | | | | | | | | |
| 10 | 20 | | | 71973-7010 | 71973-7110 | 71973-7210 | .900 (22.86) | .995 (25.27) | 1.258 (31.95) | | | | | | | | | | | | | | |
| 11 | 22 | | | 71973-7011 | 71973-7111 | 71973-7211 | 1.000 (25.40) | 1.095 (27.81) | 1.358 (34.49) | | | | | | | | | | | | | | |
| 12 | 24 | | | 71973-7012 | 71973-7112 | 71973-7212 | 1.100 (27.94) | 1.195 (30.35) | 1.458 (37.03) | | | | | | | | | | | | | | |
| 13 | 26 | | | 71973-7013 | 71973-7113 | 71973-7213 | 1.200 (30.48) | 1.295 (32.89) | 1.558 (39.57) | | | | | | | | | | | | | | |
| 14 | 28 | | | 71973-7014 | 71973-7114 | 71973-7214 | 1.300 (33.02) | 1.395 (35.43) | 1.658 (42.11) | | | | | | | | | | | | | | |
| 15 | 30 | | | 71973-7015 | 71973-7115 | 71973-7215 | 1.400 (35.56) | 1.495 (37.97) | 1.758 (44.65) | | | | | | | | | | | | | | |
| 16 | 32 | | | 71973-7016 | 71973-7116 | 71973-7216 | 1.500 (38.10) | 1.595 (40.51) | 1.858 (47.19) | | | | | | | | | | | | | | |
| 17 | 34 | | | 71973-7017 | 71973-7117 | 71973-7217 | 1.600 (40.64) | 1.695 (43.05) | 1.958 (49.73) | | | | | | | | | | | | | | |
| 18 | 36 | | | 71973-7018 | 71973-7118 | 71973-7218 | 1.700 (43.18) | 1.795 (45.59) | 2.058 (52.27) | | | | | | | | | | | | | | |
| 19 | 38 | | | 71973-7019 | 71973-7119 | 71973-7219 | 1.800 (45.72) | 1.895 (48.13) | 2.158 (54.81) | | | | | | | | | | | | | | |
| 20 | 40 | | | 71973-7020 | 71973-7120 | 71973-7220 | 1.900 (48.26) | 1.995 (50.67) | 2.258 (57.35) | | | | | | | | | | | | | | |
| 21 | 42 | | | 71973-7021 | 71973-7121 | 71973-7221 | 2.000 (50.80) | 2.095 (53.21) | 2.358 (59.89) | | | | | | | | | | | | | | |
| 22 | 44 | | | 71973-7022 | 71973-7122 | 71973-7222 | 2.100 (53.34) | 2.195 (55.75) | 2.458 (62.43) | | | | | | | | | | | | | | |
| 23 | 46 | | | 71973-7023 | 71973-7123 | 71973-7223 | 2.200 (55.88) | 2.295 (58.29) | 2.558 (64.97) | | | | | | | | | | | | | | |
| 24 | 48 | | | 71973-7024 | 71973-7124 | 71973-7224 | 2.300 (58.42) | 2.395 (60.83) | 2.658 (67.51) | | | | | | | | | | | | | | |
| 25 | 50 | | | 71973-7025 | 71973-7125 | 71973-7225 | 2.400 (60.96) | 2.495 (63.37) | 2.758 (70.05) | | | | | | | | | | | | | | |
| 26 | 52 | | | 71973-7026 | 71973-7126 | 71973-7226 | 2.500 (63.50) | 2.595 (65.91) | 2.858 (72.59) | | | | | | | | | | | | | | |
| 27 | 54 | | | 71973-7027 | 71973-7127 | 71973-7227 | 2.600 (66.04) | 2.695 (68.45) | 2.958 (75.13) | | | | | | | | | | | | | | |
| 28 | 56 | | | 71973-7028 | 71973-7128 | 71973-7228 | 2.700 (68.58) | 2.795 (70.99) | 3.058 (77.67) | | | | | | | | | | | | | | |
| 29 | 58 | | | 71973-7029 | 71973-7129 | 71973-7229 | 2.800 (71.12) | 2.895 (73.53) | 3.158 (80.21) | | | | | | | | | | | | | | |
| 30 | 60 | | | 71973-7030 | 71973-7130 | 71973-7230 | 2.900 (73.66) | 2.995 (76.07) | 3.258 (82.75) | | | | | | | | | | | | | | |
| 31 | 62 | | | 71973-7031 | 71973-7131 | 71973-7231 | 3.000 (76.20) | 3.095 (78.61) | 3.358 (85.29) | | | | | | | | | | | | | | |
| 32 | 64 | | | 71973-7032 | 71973-7132 | 71973-7232 | 3.100 (78.74) | 3.195 (81.15) | 3.458 (87.83) | | | | | | | | | | | | | | |

| | | | | | | | |
|--|--|---|---|---|--|------------------------------|--|
| ADD OPTION K & L EC NO: S2010-0534 DRWN:SKANG 2009/12/30 CHKD:ATSEE 2010/01/08 APPR:MLONG 2010/01/14 K | QUALITY SYMBOLS $F_A=0$ $F_C=0$ $F_P=0$ | GENERAL TOLERANCES (UNLESS SPECIFIED) mm INCH 4 PLACES ± --- ± --- 3 PLACES ± --- ± .010 2 PLACES ± 0.25 ± --- 1 PLACE ± --- ± --- ANGULAR ± 1/2° | DIMENSION STYLE IN/MM DRAWN BY DATE DJB 1991/10/21 CHECKED BY DATE DJB 1991/10/21 APPROVED BY DATE MLONG 2010/01/14 | SCALE NTS DESIGN UNITS INCH | TITLE EARLY ENTRY R/A RECPT .120"PC TAIL W/O LOWER ROW PINSTOP-.100" GRID MOLEX INCORPORATED MATERIAL NO. DOCUMENT NO. SDA-71973-**** | SHEET NO. 11 OF 26 | |
| | DRAFT WHERE APPLICABLE MUST REMAIN WITHIN DIMENSIONS | | SEE TABLE | THIS DRAWING CONTAINS INFORMATION THAT IS PROPRIETARY TO MOLEX INCORPORATED AND SHOULD NOT BE USED WITHOUT WRITTEN PERMISSION | | | |
| | | | | | | | |
| | | | | | | | |

| NO. OF CKTS | | OPTION C ASSEMBLY PACKAGED IN TUBES PER PK-70873-0138 (SEE SHEET 1 FOR FINISH SPECIFICATIONS) | | | | | DIMENSION | | | | NO. OF CKTS | | OPTION C ASSEMBLY PACKAGED IN TUBES PER PK-70873-0138 (SEE SHEET 1 FOR FINISH SPECIFICATIONS) | | | | | DIMENSION | | | | |
|-------------|-------|---|------------|---------|------------|---|------------|------------------|------------------|--|-------------|-------|---|------------|---------|------------|---|------------|------------------|------------------|--|--|
| PER ROW | TOTAL | | 15 GOLD | 30 GOLD | 50 GOLD | A | B | | | | PER ROW | TOTAL | | 15 GOLD | 30 GOLD | 50 GOLD | A | B | | | | |
| 4 | 8 | X | 71973-1804 | X | 71973-1904 | X | 71973-2004 | .300 (7.62) | .395 (10.03) | | 33 | 66 | X | 71973-1833 | X | 71973-1933 | X | 71973-2033 | 3.200 (81.28) | 3.295 (83.69) | | |
| 5 | 10 | X | 71973-1805 | X | 71973-1905 | X | 71973-2005 | .400 (10.16) | .495 (12.57) | | 34 | 68 | X | 71973-1834 | X | 71973-1934 | X | 71973-2034 | 3.300 (83.82) | 3.395 (86.23) | | |
| 6 | 12 | X | 71973-1806 | X | 71973-1906 | X | 71973-2006 | .500 (12.70) | .595 (15.11) | | 35 | 70 | X | 71973-1835 | X | 71973-1935 | X | 71973-2035 | 3.400 (86.36) | 3.495 (88.77) | | |
| 7 | 14 | X | 71973-1807 | X | 71973-1907 | X | 71973-2007 | .600 (15.24) | .695 (17.65) | | 36 | 72 | X | 71973-1836 | X | 71973-1936 | X | 71973-2036 | 3.500 (88.90) | 3.595 (91.31) | | |
| 8 | 16 | X | 71973-1808 | X | 71973-1908 | X | 71973-2008 | .700 (17.78) | .795 (20.19) | | | | | | | | | | | | | |
| 9 | 18 | X | 71973-1809 | X | 71973-1909 | X | 71973-2009 | .800 (20.32) | .895 (22.73) | | | | | | | | | | | | | |
| 10 | 20 | X | 71973-1810 | X | 71973-1910 | X | 71973-2010 | .900 (22.86) | .995 (25.27) | | | | | | | | | | | | | |
| 11 | 22 | X | 71973-1811 | X | 71973-1911 | X | 71973-2011 | 1.000 (25.40) | 1.095 (27.81) | | | | | | | | | | | | | |
| 12 | 24 | X | 71973-1812 | X | 71973-1912 | X | 71973-2012 | 1.100 (27.94) | 1.195 (30.35) | | | | | | | | | | | | | |
| 13 | 26 | X | 71973-1813 | X | 71973-1913 | X | 71973-2013 | 1.200 (30.48) | 1.295 (32.89) | | | | | | | | | | | | | |
| 14 | 28 | X | 71973-1814 | X | 71973-1914 | X | 71973-2014 | 1.300 (33.02) | 1.395 (35.43) | | | | | | | | | | | | | |
| 15 | 30 | X | 71973-1815 | X | 71973-1915 | X | 71973-2015 | 1.400 (35.56) | 1.495 (37.97) | | | | | | | | | | | | | |
| 16 | 32 | X | 71973-1816 | X | 71973-1916 | X | 71973-2016 | 1.500 (38.10) | 1.595 (40.51) | | | | | | | | | | | | | |
| 17 | 34 | X | 71973-1817 | X | 71973-1917 | X | 71973-2017 | 1.600 (40.64) | 1.695 (43.05) | | | | | | | | | | | | | |
| 18 | 36 | X | 71973-1818 | X | 71973-1918 | X | 71973-2018 | 1.700 (43.18) | 1.795 (45.59) | | | | | | | | | | | | | |
| 19 | 38 | X | 71973-1819 | X | 71973-1919 | X | 71973-2019 | 1.800 (45.72) | 1.895 (48.13) | | | | | | | | | | | | | |
| 20 | 40 | X | 71973-1820 | X | 71973-1920 | X | 71973-2020 | 1.900 (48.26) | 1.995 (50.67) | | | | | | | | | | | | | |
| 21 | 42 | X | 71973-1821 | X | 71973-1921 | X | 71973-2021 | 2.000 (50.80) | 2.095 (53.21) | | | | | | | | | | | | | |
| 22 | 44 | X | 71973-1822 | X | 71973-1922 | X | 71973-2022 | 2.100 (53.34) | 2.195 (55.75) | | | | | | | | | | | | | |
| 23 | 46 | X | 71973-1823 | X | 71973-1923 | X | 71973-2023 | 2.200 (55.88) | 2.295 (58.29) | | | | | | | | | | | | | |
| 24 | 48 | X | 71973-1824 | X | 71973-1924 | X | 71973-2024 | 2.300 (58.42) | 2.395 (60.83) | | | | | | | | | | | | | |
| 25 | 50 | X | 71973-1825 | X | 71973-1925 | X | 71973-2025 | 2.400 (60.96) | 2.495 (63.37) | | | | | | | | | | | | | |
| 26 | 52 | X | 71973-1826 | X | 71973-1926 | X | 71973-2026 | 2.500 (63.50) | 2.595 (65.91) | | | | | | | | | | | | | |
| 27 | 54 | X | 71973-1827 | X | 71973-1927 | X | 71973-2027 | 2.600 (66.04) | 2.695 (68.45) | | | | | | | | | | | | | |
| 28 | 56 | X | 71973-1828 | X | 71973-1928 | X | 71973-2028 | 2.700 (68.58) | 2.795 (70.99) | | | | | | | | | | | | | |
| 29 | 58 | X | 71973-1829 | X | 71973-1929 | X | 71973-2029 | 2.800 (71.12) | 2.895 (73.53) | | | | | | | | | | | | | |
| 30 | 60 | X | 71973-1830 | X | 71973-1930 | X | 71973-2030 | 2.900 (73.66) | 2.995 (76.07) | | | | | | | | | | | | | |
| 31 | 62 | X | 71973-1831 | X | 71973-1931 | X | 71973-2031 | 3.000 (76.20) | 3.095 (78.61) | | | | | | | | | | | | | |
| 32 | 64 | X | 71973-1832 | X | 71973-1932 | X | 71973-2032 | 3.100 (78.74) | 3.195 (81.15) | | | | | | | | | | | | | |

| | | | | | | | | | | | | |
|--|---|--|---------------------------------------|--------|--------------------------|--------------|--------------|---|------------------------|--|--|--|
| *X* INDICATES TOOLING IS NOT AVAILABLE | ADD OPTION K & L EC NO: S2010-0534 DRWN:SKANG 2009/12/30 CHKD:ATSEE 2010/01/08 APPR:MLONG 2010/01/14 | QUALITY SYMBOLS $F_A=0$ $F_G=0$ $F_P=0$ | GENERAL TOLERANCES (UNLESS SPECIFIED) | | DIMENSION STYLE IN/MM | | SCALE NTS | DESIGN UNITS INCH | THIRD ANGLE PROJECTION | | | |
| | | | 4 PLACES | ± --- | ± --- | DRAWN BY | DATE | TITLE | | | | |
| | | | 3 PLACES | ± --- | ± .010 | CHECKED BY | DATE | EARLY ENTRY R/A RECPT .120"PC TAIL W/O LOWER ROW PINSTOP-.100" GRID | | | | |
| | | | 2 PLACES | ± 0.25 | ± --- | APPROVED BY | DATE | MOLEX INCORPORATED | | | | |
| 1 PLACE | ± --- | ± --- | ANGULAR ± 1/2° | | MATERIAL NO. | DOCUMENT NO. | SHEET NO. | | | | | |
| DRAFT WHERE APPLICABLE MUST REMAIN WITHIN DIMENSIONS | | | SEE TABLE | | SDA-71973-**** | | 12 OF 26 | | | | | |
| THIS DRAWING CONTAINS INFORMATION THAT IS PROPRIETARY TO MOLEX INCORPORATED AND SHOULD NOT BE USED WITHOUT WRITTEN PERMISSION | | | | | | | | | | | | |

| 10 | | 9 | | | 8 | | | 7 | | | 6 | | | 5 | | | 4 | | | 3 | | | 2 | | | 1 | | | | | | | |
|-------------|-------|---|------------|---|------------|---|------------|------------------|------------------|------------------|-----------|---|--|---|----|----|-------------|------------|---|------------|---|------------|------------------|------------------|---------|---|------------------|-----------|---|--|--|--|---|
| NO. OF CKTS | | OPTION D ASSEMBLY PACKAGED IN TUBES PER PK-70873-0139 (SEE SHEET 1 FOR FINISH SPECIFICATIONS) | | | | | | | | | DIMENSION | | | | | | NO. OF CKTS | | OPTION D ASSEMBLY PACKAGED IN TUBES PER PK-70873-0139 (SEE SHEET 1 FOR FINISH SPECIFICATIONS) | | | | | | | | | DIMENSION | | | | | |
| PER ROW | TOTAL | 15 GOLD | | | 30 GOLD | | | 50 GOLD | | | A | B | | | | D | PER ROW | TOTAL | 15 GOLD | | | 30 GOLD | | | 50 GOLD | | | A | B | | | | D |
| 4 | 8 | X | 71973-2604 | X | 71973-2704 | X | 71973-2804 | .300 (7.62) | .395 (10.03) | .658 (16.71) | | | | | 33 | 66 | X | 71973-2633 | X | 71973-2733 | X | 71973-2833 | 3.200 (81.28) | 3.295 (83.69) | | | 3.558 (90.37) | | | | | | |
| 5 | 10 | X | 71973-2605 | X | 71973-2705 | X | 71973-2805 | .400 (10.16) | .495 (12.57) | .758 (19.25) | | | | | 34 | 68 | X | 71973-2634 | X | 71973-2734 | X | 71973-2834 | 3.300 (83.82) | 3.395 (86.23) | | | 3.658 (92.91) | | | | | | |
| 6 | 12 | X | 71973-2606 | X | 71973-2706 | X | 71973-2806 | .500 (12.70) | .595 (15.11) | .858 (21.79) | | | | | 35 | 70 | X | 71973-2635 | X | 71973-2735 | X | 71973-2835 | 3.400 (86.36) | 3.495 (88.77) | | | 3.758 (95.45) | | | | | | |
| 7 | 14 | X | 71973-2607 | X | 71973-2707 | X | 71973-2807 | .600 (15.24) | .695 (17.65) | .958 (24.33) | | | | | 36 | 72 | X | 71973-2636 | X | 71973-2736 | X | 71973-2836 | 3.500 (88.90) | 3.595 (91.31) | | | 3.858 (97.99) | | | | | | |
| 8 | 16 | X | 71973-2608 | X | 71973-2708 | X | 71973-2808 | .700 (17.78) | .795 (20.19) | 1.058 (26.87) | | | | | | | | | | | | | | | | | | | | | | | |
| 9 | 18 | X | 71973-2609 | X | 71973-2709 | X | 71973-2809 | .800 (20.32) | .895 (22.73) | 1.158 (29.41) | | | | | | | | | | | | | | | | | | | | | | | |
| 10 | 20 | X | 71973-2610 | X | 71973-2710 | X | 71973-2810 | .900 (22.86) | .995 (25.27) | 1.258 (31.95) | | | | | | | | | | | | | | | | | | | | | | | |
| 11 | 22 | X | 71973-2611 | X | 71973-2711 | X | 71973-2811 | 1.000 (25.40) | 1.095 (27.81) | 1.358 (34.49) | | | | | | | | | | | | | | | | | | | | | | | |
| 12 | 24 | X | 71973-2612 | X | 71973-2712 | X | 71973-2812 | 1.100 (27.94) | 1.195 (30.35) | 1.458 (37.03) | | | | | | | | | | | | | | | | | | | | | | | |
| 13 | 26 | X | 71973-2613 | X | 71973-2713 | X | 71973-2813 | 1.200 (30.48) | 1.295 (32.89) | 1.558 (39.57) | | | | | | | | | | | | | | | | | | | | | | | |
| 14 | 28 | X | 71973-2614 | X | 71973-2714 | X | 71973-2814 | 1.300 (33.02) | 1.395 (35.43) | 1.658 (42.11) | | | | | | | | | | | | | | | | | | | | | | | |
| 15 | 30 | X | 71973-2615 | X | 71973-2715 | X | 71973-2815 | 1.400 (35.56) | 1.495 (37.97) | 1.758 (44.65) | | | | | | | | | | | | | | | | | | | | | | | |
| 16 | 32 | X | 71973-2616 | X | 71973-2716 | X | 71973-2816 | 1.500 (38.10) | 1.595 (40.51) | 1.858 (47.19) | | | | | | | | | | | | | | | | | | | | | | | |
| 17 | 34 | X | 71973-2617 | X | 71973-2717 | X | 71973-2817 | 1.600 (40.64) | 1.695 (43.05) | 1.958 (49.73) | | | | | | | | | | | | | | | | | | | | | | | |
| 18 | 36 | X | 71973-2618 | X | 71973-2718 | X | 71973-2818 | 1.700 (43.18) | 1.795 (45.59) | 2.058 (52.27) | | | | | | | | | | | | | | | | | | | | | | | |
| 19 | 38 | X | 71973-2619 | X | 71973-2719 | X | 71973-2819 | 1.800 (45.72) | 1.895 (48.13) | 2.158 (54.81) | | | | | | | | | | | | | | | | | | | | | | | |
| 20 | 40 | X | 71973-2620 | X | 71973-2720 | X | 71973-2820 | 1.900 (48.26) | 1.995 (50.67) | 2.258 (57.35) | | | | | | | | | | | | | | | | | | | | | | | |
| 21 | 42 | X | 71973-2621 | X | 71973-2721 | X | 71973-2821 | 2.000 (50.80) | 2.095 (53.21) | 2.358 (59.89) | | | | | | | | | | | | | | | | | | | | | | | |
| 22 | 44 | X | 71973-2622 | X | 71973-2722 | X | 71973-2822 | 2.100 (53.34) | 2.195 (55.75) | 2.458 (62.43) | | | | | | | | | | | | | | | | | | | | | | | |
| 23 | 46 | X | 71973-2623 | X | 71973-2723 | X | 71973-2823 | 2.200 (55.88) | 2.295 (58.29) | 2.558 (64.97) | | | | | | | | | | | | | | | | | | | | | | | |
| 24 | 48 | X | 71973-2624 | X | 71973-2724 | X | 71973-2824 | 2.300 (58.42) | 2.395 (60.83) | 2.658 (67.51) | | | | | | | | | | | | | | | | | | | | | | | |
| 25 | 50 | X | 71973-2625 | X | 71973-2725 | X | 71973-2825 | 2.400 (60.96) | 2.495 (63.37) | 2.758 (70.05) | | | | | | | | | | | | | | | | | | | | | | | |
| 26 | 52 | X | 71973-2626 | X | 71973-2726 | X | 71973-2826 | 2.500 (63.50) | 2.595 (65.91) | 2.858 (72.59) | | | | | | | | | | | | | | | | | | | | | | | |
| 27 | 54 | X | 71973-2627 | X | 71973-2727 | X | 71973-2827 | 2.600 (66.04) | 2.695 (68.45) | 2.958 (75.13) | | | | | | | | | | | | | | | | | | | | | | | |
| 28 | 56 | X | 71973-2628 | X | 71973-2728 | X | 71973-2828 | 2.700 (68.58) | 2.795 (70.99) | 3.058 (77.67) | | | | | | | | | | | | | | | | | | | | | | | |
| 29 | 58 | X | 71973-2629 | X | 71973-2729 | X | 71973-2829 | 2.800 (71.12) | 2.895 (73.53) | 3.158 (80.21) | | | | | | | | | | | | | | | | | | | | | | | |
| 30 | 60 | X | 71973-2630 | X | 71973-2730 | X | 71973-2830 | 2.900 (73.66) | 2.995 (76.07) | 3.258 (82.75) | | | | | | | | | | | | | | | | | | | | | | | |
| 31 | 62 | X | 71973-2631 | X | 71973-2731 | X | 71973-2831 | 3.000 (76.20) | 3.095 (78.61) | 3.358 (85.29) | | | | | | | | | | | | | | | | | | | | | | | |
| 32 | 64 | X | 71973-2632 | X | 71973-2732 | X | 71973-2832 | 3.100 (78.74) | 3.195 (81.15) | 3.458 (87.83) | | | | | | | | | | | | | | | | | | | | | | | |

| <p style="text-align: center;">*X* INDICATES TOOLING IS NOT AVAILABLE</p> | <p style="writing-mode: vertical-rl; transform: rotate(180deg);"> ADD OPTION K & L EC NO: S2010-0534 DRWN:SKANG 2009/12/30 CHKD:ATSEE 2010/01/08 APPR:MLONG 2010/01/14 </p> | <p style="writing-mode: vertical-rl; transform: rotate(180deg);"> QUALITY SYMBOLS $F_A=0$ $F_G=0$ $F_P=0$ </p> | GENERAL TOLERANCES (UNLESS SPECIFIED) | | DIMENSION STYLE IN/MM | | SCALE NTS | DESIGN UNITS INCH | THIRD ANGLE PROJECTION | | | | | | | | | | | | | | | | | |
|---|---|--|---|--------------------|--------------------------|----------|--------------|----------------------|------------------------|-------|----------|-------|--------|----------|--------|-------|---------|-------|-------|-----------------|--|--------------------|---|--|--|--|
| | | | <table border="1"> <tr> <th></th> <th>mm</th> <th>INCH</th> </tr> <tr> <td>4 PLACES</td> <td>± ---</td> <td>± ---</td> </tr> <tr> <td>3 PLACES</td> <td>± ---</td> <td>± .010</td> </tr> <tr> <td>2 PLACES</td> <td>± 0.25</td> <td>± ---</td> </tr> <tr> <td>1 PLACE</td> <td>± ---</td> <td>± ---</td> </tr> </table> | | | mm | INCH | 4 PLACES | ± --- | ± --- | 3 PLACES | ± --- | ± .010 | 2 PLACES | ± 0.25 | ± --- | 1 PLACE | ± --- | ± --- | DRAWN BY DJB | | DATE 1991/10/21 | <p>EARLY ENTRY R/A RECPT .120"PC TAIL W/O LOWER ROW PINSTOP-.100" GRID</p> <p>MOLEX MOLEX INCORPORATED</p> | | | |
| | | | | mm | INCH | | | | | | | | | | | | | | | | | | | | | |
| | | | 4 PLACES | ± --- | ± --- | | | | | | | | | | | | | | | | | | | | | |
| 3 PLACES | ± --- | ± .010 | | | | | | | | | | | | | | | | | | | | | | | | |
| 2 PLACES | ± 0.25 | ± --- | | | | | | | | | | | | | | | | | | | | | | | | |
| 1 PLACE | ± --- | ± --- | | | | | | | | | | | | | | | | | | | | | | | | |
| ANGULAR ± 1/2° | | CHECKED BY DJB | | DATE 1991/10/21 | | | | | | | | | | | | | | | | | | | | | | |
| DRAFT WHERE APPLICABLE MUST REMAIN WITHIN DIMENSIONS | | APPROVED BY MLONG | | DATE 2010/01/14 | MATERIAL NO. | | DOCUMENT NO. | | SHEET NO. | | | | | | | | | | | | | | | | | |
| | | SEE TABLE | | SDA-71973-**** | | 13 OF 26 | | | | | | | | | | | | | | | | | | | | |

| NO. OF CKTS | | OPTION C ASSEMBLY PACKAGED IN TRAYS PER PK-70873-0239 (SEE SHEET 1 FOR FINISH SPECIFICATIONS) | | | | | DIMENSION | | | |
|-------------|-------|---|------------|------------|------------------|------------------|-----------|--|--|--|
| PER ROW | TOTAL | | | | A | B | | | | |
| | | 15 GOLD | 30 GOLD | 50 GOLD | | | | | | |
| 4 | 8 | 71973-7404 | 71973-7504 | 71973-7604 | .300 (7.62) | .395 (10.03) | | | | |
| 5 | 10 | 71973-7405 | 71973-7505 | 71973-7605 | .400 (10.16) | .495 (12.57) | | | | |
| 6 | 12 | 71973-7406 | 71973-7506 | 71973-7606 | .500 (12.70) | .595 (15.11) | | | | |
| 7 | 14 | 71973-7407 | 71973-7507 | 71973-7607 | .600 (15.24) | .695 (17.65) | | | | |
| 8 | 16 | 71973-7408 | 71973-7508 | 71973-7608 | .700 (17.78) | .795 (20.19) | | | | |
| 9 | 18 | 71973-7409 | 71973-7509 | 71973-7609 | .800 (20.32) | .895 (22.73) | | | | |
| 10 | 20 | 71973-7410 | 71973-7510 | 71973-7610 | .900 (22.86) | .995 (25.27) | | | | |
| 11 | 22 | 71973-7411 | 71973-7511 | 71973-7611 | 1.000 (25.40) | 1.095 (27.81) | | | | |
| 12 | 24 | 71973-7412 | 71973-7512 | 71973-7612 | 1.100 (27.94) | 1.195 (30.35) | | | | |
| 13 | 26 | 71973-7413 | 71973-7513 | 71973-7613 | 1.200 (30.48) | 1.295 (32.89) | | | | |
| 14 | 28 | 71973-7414 | 71973-7514 | 71973-7614 | 1.300 (33.02) | 1.395 (35.43) | | | | |
| 15 | 30 | 71973-7415 | 71973-7515 | 71973-7615 | 1.400 (35.56) | 1.495 (37.97) | | | | |
| 16 | 32 | 71973-7416 | 71973-7516 | 71973-7616 | 1.500 (38.10) | 1.595 (40.51) | | | | |
| 17 | 34 | 71973-7417 | 71973-7517 | 71973-7617 | 1.600 (40.64) | 1.695 (43.05) | | | | |
| 18 | 36 | 71973-7418 | 71973-7518 | 71973-7618 | 1.700 (43.18) | 1.795 (45.59) | | | | |
| 19 | 38 | 71973-7419 | 71973-7519 | 71973-7619 | 1.800 (45.72) | 1.895 (48.13) | | | | |
| 20 | 40 | 71973-7420 | 71973-7520 | 71973-7620 | 1.900 (48.26) | 1.995 (50.67) | | | | |
| 21 | 42 | 71973-7421 | 71973-7521 | 71973-7621 | 2.000 (50.80) | 2.095 (53.21) | | | | |
| 22 | 44 | 71973-7422 | 71973-7522 | 71973-7622 | 2.100 (53.34) | 2.195 (55.75) | | | | |
| 23 | 46 | 71973-7423 | 71973-7523 | 71973-7623 | 2.200 (55.88) | 2.295 (58.29) | | | | |
| 24 | 48 | 71973-7424 | 71973-7524 | 71973-7624 | 2.300 (58.42) | 2.395 (60.83) | | | | |
| 25 | 50 | 71973-7425 | 71973-7525 | 71973-7625 | 2.400 (60.96) | 2.495 (63.37) | | | | |
| 26 | 52 | 71973-7426 | 71973-7526 | 71973-7626 | 2.500 (63.50) | 2.595 (65.91) | | | | |
| 27 | 54 | 71973-7427 | 71973-7527 | 71973-7627 | 2.600 (66.04) | 2.695 (68.45) | | | | |
| 28 | 56 | 71973-7428 | 71973-7528 | 71973-7628 | 2.700 (68.58) | 2.795 (70.99) | | | | |
| 29 | 58 | 71973-7429 | 71973-7529 | 71973-7629 | 2.800 (71.12) | 2.895 (73.53) | | | | |
| 30 | 60 | 71973-7430 | 71973-7530 | 71973-7630 | 2.900 (73.66) | 2.995 (76.07) | | | | |
| 31 | 62 | 71973-7431 | 71973-7531 | 71973-7631 | 3.000 (76.20) | 3.095 (78.61) | | | | |
| 32 | 64 | 71973-7432 | 71973-7532 | 71973-7632 | 3.100 (78.74) | 3.195 (81.15) | | | | |

| NO. OF CKTS | | OPTION C ASSEMBLY PACKAGED IN TRAYS PER PK-70873-0239 (SEE SHEET 1 FOR FINISH SPECIFICATIONS) | | | | | DIMENSION | | | |
|-------------|-------|---|------------|------------|------------------|------------------|-----------|--|--|--|
| PER ROW | TOTAL | | | | A | B | | | | |
| | | 15 GOLD | 30 GOLD | 50 GOLD | | | | | | |
| 33 | 66 | 71973-7433 | 71973-7533 | 71973-7633 | 3.200 (81.28) | 3.295 (83.69) | | | | |
| 34 | 68 | 71973-7434 | 71973-7534 | 71973-7634 | 3.300 (83.82) | 3.395 (86.23) | | | | |
| 35 | 70 | 71973-7435 | 71973-7535 | 71973-7635 | 3.400 (86.36) | 3.495 (88.77) | | | | |
| 36 | 72 | 71973-7436 | 71973-7536 | 71973-7636 | 3.500 (88.90) | 3.595 (91.31) | | | | |

| ADD OPTION K & L EC NO: S2010-0534 DRWN:SKANG 2009/12/30 CHKD:ATSEE 2010/01/08 APPR:MLONG 2010/01/14 | QUALITY SYMBOLS $F_A=0$ $F_C=0$ $F_P=0$ | GENERAL TOLERANCES (UNLESS SPECIFIED) | | DIMENSION STYLE IN/MM | | SCALE NTS | DESIGN UNITS INCH | THIRD ANGLE PROJECTION | | | | | | | | | | | |
|---|--|--|--------------------|---------------------------|--------------------------------|-----------------------|----------------------|------------------------|--------|-----------------|-------|---------------|-------|-----------------|--------------------|--|--|--|--|
| | | <table border="1"> <tr><th>mm</th><th>INCH</th></tr> <tr><td>4 PLACES ± ---</td><td>± ---</td></tr> <tr><td>3 PLACES ± ---</td><td>± .010</td></tr> <tr><td>2 PLACES ± 0.25</td><td>± ---</td></tr> <tr><td>1 PLACE ± ---</td><td>± ---</td></tr> </table> | | mm | INCH | 4 PLACES ± --- | ± --- | 3 PLACES ± --- | ± .010 | 2 PLACES ± 0.25 | ± --- | 1 PLACE ± --- | ± --- | DRAWN BY DJB | DATE 1991/10/21 | TITLE EARLY ENTRY R/A RECPT .120"PC TAIL W/O LOWER ROW PINSTOP-.100" GRID | | | |
| | | mm | INCH | | | | | | | | | | | | | | | | |
| | | 4 PLACES ± --- | ± --- | | | | | | | | | | | | | | | | |
| 3 PLACES ± --- | ± .010 | | | | | | | | | | | | | | | | | | |
| 2 PLACES ± 0.25 | ± --- | | | | | | | | | | | | | | | | | | |
| 1 PLACE ± --- | ± --- | | | | | | | | | | | | | | | | | | |
| ANGULAR ± 1/2° | | CHECKED BY DJB | DATE 1991/10/21 | MOLEX INCORPORATED | | | | | | | | | | | | | | | |
| DRAFT WHERE APPLICABLE MUST REMAIN WITHIN DIMENSIONS | | APPROVED BY MLONG | DATE 2010/01/14 | MATERIAL NO. SEE TABLE | DOCUMENT NO. SDA-71973-**** | SHEET NO. 14 OF 26 | | | | | | | | | | | | | |

| 10 | | 9 | | 8 | | 7 | | 6 | | 5 | | 4 | | 3 | | 2 | | 1 | | | | | | | |
|-------------|-------|---|--|------------|------------|------------|------------------|------------------|---|---|------------------|-------------|---------|---|---------|------------|------------|------------|---------|-----------|------------------|------------------|--|--|------------------|
| NO. OF CKTS | | OPTION D ASSEMBLY PACKAGED IN TRAYS PER PK-70873-0239 (SEE SHEET I FOR FINISH SPECIFICATIONS) | | | | | | DIMENSION | | | | NO. OF CKTS | | OPTION D ASSEMBLY PACKAGED IN TRAYS PER PK-70873-0239 (SEE SHEET I FOR FINISH SPECIFICATIONS) | | | | | | DIMENSION | | | | | |
| PER ROW | TOTAL | 15 GOLD | | 30 GOLD | | 50 GOLD | | A | B | | | D | PER ROW | TOTAL | 15 GOLD | | 30 GOLD | | 50 GOLD | | A | B | | | D |
| 4 | 8 | | | 71973-7804 | 71973-7904 | 71973-8004 | .300 (7.62) | .395 (10.03) | | | .658 (16.71) | 33 | 66 | | | 71973-7833 | 71973-7933 | 71973-8033 | | | 3.200 (81.28) | 3.295 (83.69) | | | 3.558 (90.37) |
| 5 | 10 | | | 71973-7805 | 71973-7905 | 71973-8005 | .400 (10.16) | .495 (12.57) | | | .758 (19.25) | 34 | 68 | | | 71973-7834 | 71973-7934 | 71973-8034 | | | 3.300 (83.82) | 3.395 (86.23) | | | 3.658 (92.91) |
| 6 | 12 | | | 71973-7806 | 71973-7906 | 71973-8006 | .500 (12.70) | .595 (15.11) | | | .858 (21.79) | 35 | 70 | | | 71973-7835 | 71973-7935 | 71973-8035 | | | 3.400 (86.36) | 3.495 (88.77) | | | 3.758 (95.45) |
| 7 | 14 | | | 71973-7807 | 71973-7907 | 71973-8007 | .600 (15.24) | .695 (17.65) | | | .958 (24.33) | 36 | 72 | | | 71973-7836 | 71973-7936 | 71973-8036 | | | 3.500 (88.90) | 3.595 (91.31) | | | 3.858 (97.99) |
| 8 | 16 | | | 71973-7808 | 71973-7908 | 71973-8008 | .700 (17.78) | .795 (20.19) | | | 1.058 (26.87) | | | | | | | | | | | | | | |
| 9 | 18 | | | 71973-7809 | 71973-7909 | 71973-8009 | .800 (20.32) | .895 (22.73) | | | 1.158 (29.41) | | | | | | | | | | | | | | |
| 10 | 20 | | | 71973-7810 | 71973-7910 | 71973-8010 | .900 (22.86) | .995 (25.27) | | | 1.258 (31.95) | | | | | | | | | | | | | | |
| 11 | 22 | | | 71973-7811 | 71973-7911 | 71973-8011 | 1.000 (25.40) | 1.095 (27.81) | | | 1.358 (34.49) | | | | | | | | | | | | | | |
| 12 | 24 | | | 71973-7812 | 71973-7912 | 71973-8012 | 1.100 (27.94) | 1.195 (30.35) | | | 1.458 (37.03) | | | | | | | | | | | | | | |
| 13 | 26 | | | 71973-7813 | 71973-7913 | 71973-8013 | 1.200 (30.48) | 1.295 (32.89) | | | 1.558 (39.57) | | | | | | | | | | | | | | |
| 14 | 28 | | | 71973-7814 | 71973-7914 | 71973-8014 | 1.300 (33.02) | 1.395 (35.43) | | | 1.658 (42.11) | | | | | | | | | | | | | | |
| 15 | 30 | | | 71973-7815 | 71973-7915 | 71973-8015 | 1.400 (35.56) | 1.495 (37.97) | | | 1.758 (44.65) | | | | | | | | | | | | | | |
| 16 | 32 | | | 71973-7816 | 71973-7916 | 71973-8016 | 1.500 (38.10) | 1.595 (40.51) | | | 1.858 (47.19) | | | | | | | | | | | | | | |
| 17 | 34 | | | 71973-7817 | 71973-7917 | 71973-8017 | 1.600 (40.64) | 1.695 (43.05) | | | 1.958 (49.73) | | | | | | | | | | | | | | |
| 18 | 36 | | | 71973-7818 | 71973-7918 | 71973-8018 | 1.700 (43.18) | 1.795 (45.59) | | | 2.058 (52.27) | | | | | | | | | | | | | | |
| 19 | 38 | | | 71973-7819 | 71973-7919 | 71973-8019 | 1.800 (45.72) | 1.895 (48.13) | | | 2.158 (54.81) | | | | | | | | | | | | | | |
| 20 | 40 | | | 71973-7820 | 71973-7920 | 71973-8020 | 1.900 (48.26) | 1.995 (50.67) | | | 2.258 (57.35) | | | | | | | | | | | | | | |
| 21 | 42 | | | 71973-7821 | 71973-7921 | 71973-8021 | 2.000 (50.80) | 2.095 (53.21) | | | 2.358 (59.89) | | | | | | | | | | | | | | |
| 22 | 44 | | | 71973-7822 | 71973-7922 | 71973-8022 | 2.100 (53.34) | 2.195 (55.75) | | | 2.458 (62.43) | | | | | | | | | | | | | | |
| 23 | 46 | | | 71973-7823 | 71973-7923 | 71973-8023 | 2.200 (55.88) | 2.295 (58.29) | | | 2.558 (64.97) | | | | | | | | | | | | | | |
| 24 | 48 | | | 71973-7824 | 71973-7924 | 71973-8024 | 2.300 (58.42) | 2.395 (60.83) | | | 2.658 (67.51) | | | | | | | | | | | | | | |
| 25 | 50 | | | 71973-7825 | 71973-7925 | 71973-8025 | 2.400 (60.96) | 2.495 (63.37) | | | 2.758 (70.05) | | | | | | | | | | | | | | |
| 26 | 52 | | | 71973-7826 | 71973-7926 | 71973-8026 | 2.500 (63.50) | 2.595 (65.91) | | | 2.858 (72.59) | | | | | | | | | | | | | | |
| 27 | 54 | | | 71973-7827 | 71973-7927 | 71973-8027 | 2.600 (66.04) | 2.695 (68.45) | | | 2.958 (75.13) | | | | | | | | | | | | | | |
| 28 | 56 | | | 71973-7828 | 71973-7928 | 71973-8028 | 2.700 (68.58) | 2.795 (70.99) | | | 3.058 (77.67) | | | | | | | | | | | | | | |
| 29 | 58 | | | 71973-7829 | 71973-7929 | 71973-8029 | 2.800 (71.12) | 2.895 (73.53) | | | 3.158 (80.21) | | | | | | | | | | | | | | |
| 30 | 60 | | | 71973-7830 | 71973-7930 | 71973-8030 | 2.900 (73.66) | 2.995 (76.07) | | | 3.258 (82.75) | | | | | | | | | | | | | | |
| 31 | 62 | | | 71973-7831 | 71973-7931 | 71973-8031 | 3.000 (76.20) | 3.095 (78.61) | | | 3.358 (85.29) | | | | | | | | | | | | | | |
| 32 | 64 | | | 71973-7832 | 71973-7932 | 71973-8032 | 3.100 (78.74) | 3.195 (81.15) | | | 3.458 (87.83) | | | | | | | | | | | | | | |

| | | | | | | | |
|--|-------------------------------------|---|---|---|-----------------------------|------------------------|--|
| ADD OPTION K & L EC NO: S2010-0534 DRWN:SKANG 2009/12/30 CHKD:ATSEE 2010/01/08 APPR:MLONG 2010/01/14 | QUALITY SYMBOLS | GENERAL TOLERANCES (UNLESS SPECIFIED) | DIMENSION STYLE | SCALE | DESIGN UNITS | THIRD ANGLE PROJECTION | |
| | $F_A = 0$ $F_G = 0$ $F_P = 0$ | mm INCH 4 PLACES ± --- ± --- 3 PLACES ± --- ± .010 2 PLACES ± 0.25 ± --- 1 PLACE ± --- ± --- ANGULAR ± 1/2° | IN/MM DRAWN BY: DJB DATE: 1991/10/21 CHECKED BY: DJB DATE: 1991/10/21 APPROVED BY: MLONG DATE: 2010/01/14 | NTS TITLE: EARLY ENTRY R/A RECPT .120"PC TAIL W/O LOWER ROW PINSTOP-.100" GRID | MOLEX MOLEX INCORPORATED | | |
| | | DRAFT WHERE APPLICABLE MUST REMAIN WITHIN DIMENSIONS | SEE TABLE | MATERIAL NO. DOCUMENT NO. | SDA-71973-**** | SHEET NO. 15 OF 26 | |
| | | SIZE A3 | THIS DRAWING CONTAINS INFORMATION THAT IS PROPRIETARY TO MOLEX INCORPORATED AND SHOULD NOT BE USED WITHOUT WRITTEN PERMISSION | | | | |

| NO. OF CKTS | | OPTION E ASSEMBLY PACKAGED IN TUBES PER PK-70873-0138 (SEE SHEET I FOR FINISH SPECIFICATIONS) | | | | | DIMENSION | | | | NO. OF CKTS | | OPTION E ASSEMBLY PACKAGED IN TUBES PER PK-70873-0138 (SEE SHEET I FOR FINISH SPECIFICATIONS) | | | | | DIMENSION | | | | | |
|-------------|-------|---|--|--|------------|------------|------------|------------------|------------------|--|-------------|---------|---|--|--|--|---------|-----------|------------|------------|------------|------------------|------------------|
| PER ROW | TOTAL | | | | 15 GOLD | 30 GOLD | 50 GOLD | A | B | | | PER ROW | TOTAL | | | | 15 GOLD | 30 GOLD | 50 GOLD | A | B | | |
| 4 | 8 | | | | 71973-3404 | 71973-3504 | 71973-3604 | .300 (7.62) | .395 (10.03) | | | 34 | 68 | | | | | | 71973-3434 | 71973-3534 | 71973-3634 | 3.300 (83.82) | 3.395 (86.23) |
| 5 | 10 | | | | 71973-3405 | 71973-3505 | 71973-3605 | .400 (10.16) | .495 (12.57) | | | 35 | 70 | | | | | | 71973-3435 | 71973-3535 | 71973-3635 | 3.400 (86.36) | 3.495 (88.77) |
| 6 | 12 | | | | 71973-3406 | 71973-3506 | 71973-3606 | .500 (12.70) | .595 (15.11) | | | 36 | 72 | | | | | | 71973-3436 | 71973-3536 | 71973-3636 | 3.500 (88.90) | 3.595 (91.31) |
| 7 | 14 | | | | 71973-3407 | 71973-3507 | 71973-3607 | .600 (15.24) | .695 (17.65) | | | | | | | | | | | | | | |
| 8 | 16 | | | | 71973-3408 | 71973-3508 | 71973-3608 | .700 (17.78) | .795 (20.19) | | | | | | | | | | | | | | |
| 9 | 18 | | | | 71973-3409 | 71973-3509 | 71973-3609 | .800 (20.32) | .895 (22.73) | | | | | | | | | | | | | | |
| 10 | 20 | | | | 71973-3410 | 71973-3510 | 71973-3610 | .900 (22.86) | .995 (25.27) | | | | | | | | | | | | | | |
| 11 | 22 | | | | 71973-3411 | 71973-3511 | 71973-3611 | 1.000 (25.40) | 1.095 (27.81) | | | | | | | | | | | | | | |
| 12 | 24 | | | | 71973-3412 | 71973-3512 | 71973-3612 | 1.100 (27.94) | 1.195 (30.35) | | | | | | | | | | | | | | |
| 13 | 26 | | | | 71973-3413 | 71973-3513 | 71973-3613 | 1.200 (30.48) | 1.295 (32.89) | | | | | | | | | | | | | | |
| 14 | 28 | | | | 71973-3414 | 71973-3514 | 71973-3614 | 1.300 (33.02) | 1.395 (35.43) | | | | | | | | | | | | | | |
| 15 | 30 | | | | 71973-3415 | 71973-3515 | 71973-3615 | 1.400 (35.56) | 1.495 (37.97) | | | | | | | | | | | | | | |
| 16 | 32 | | | | 71973-3416 | 71973-3516 | 71973-3616 | 1.500 (38.10) | 1.595 (40.51) | | | | | | | | | | | | | | |
| 17 | 34 | | | | 71973-3417 | 71973-3517 | 71973-3617 | 1.600 (40.64) | 1.695 (43.05) | | | | | | | | | | | | | | |
| 18 | 36 | | | | 71973-3418 | 71973-3518 | 71973-3618 | 1.700 (43.18) | 1.795 (45.59) | | | | | | | | | | | | | | |
| 19 | 38 | | | | 71973-3419 | 71973-3519 | 71973-3619 | 1.800 (45.72) | 1.895 (48.13) | | | | | | | | | | | | | | |
| 20 | 40 | | | | 71973-3420 | 71973-3520 | 71973-3620 | 1.900 (48.26) | 1.995 (50.67) | | | | | | | | | | | | | | |
| 21 | 42 | | | | 71973-3421 | 71973-3521 | 71973-3621 | 2.000 (50.80) | 2.095 (53.21) | | | | | | | | | | | | | | |
| 22 | 44 | | | | 71973-3422 | 71973-3522 | 71973-3622 | 2.100 (53.34) | 2.195 (55.75) | | | | | | | | | | | | | | |
| 23 | 46 | | | | 71973-3423 | 71973-3523 | 71973-3623 | 2.200 (55.88) | 2.295 (58.29) | | | | | | | | | | | | | | |
| 24 | 48 | | | | 71973-3424 | 71973-3524 | 71973-3624 | 2.300 (58.42) | 2.395 (60.83) | | | | | | | | | | | | | | |
| 25 | 50 | | | | 71973-3425 | 71973-3525 | 71973-3625 | 2.400 (60.96) | 2.495 (63.37) | | | | | | | | | | | | | | |
| 26 | 52 | | | | 71973-3426 | 71973-3526 | 71973-3626 | 2.500 (63.50) | 2.595 (65.91) | | | | | | | | | | | | | | |
| 27 | 54 | | | | 71973-3427 | 71973-3527 | 71973-3627 | 2.600 (66.04) | 2.695 (68.45) | | | | | | | | | | | | | | |
| 28 | 56 | | | | 71973-3428 | 71973-3528 | 71973-3628 | 2.700 (68.58) | 2.795 (70.99) | | | | | | | | | | | | | | |
| 29 | 58 | | | | 71973-3429 | 71973-3529 | 71973-3629 | 2.800 (71.12) | 2.895 (73.53) | | | | | | | | | | | | | | |
| 30 | 60 | | | | 71973-3430 | 71973-3530 | 71973-3630 | 2.900 (73.66) | 2.995 (76.07) | | | | | | | | | | | | | | |
| 31 | 62 | | | | 71973-3431 | 71973-3531 | 71973-3631 | 3.000 (76.20) | 3.095 (78.61) | | | | | | | | | | | | | | |
| 32 | 64 | | | | 71973-3432 | 71973-3532 | 71973-3632 | 3.100 (78.74) | 3.195 (81.15) | | | | | | | | | | | | | | |
| 33 | 66 | | | | 71973-3433 | 71973-3533 | 71973-3633 | 3.200 (81.28) | 3.295 (83.69) | | | | | | | | | | | | | | |

| | | | | | | |
|---|--|---|---|---|--|------------------------|
| ADD OPTION K & L EC NO: S2010-0534 DRWN:SKANG CHKD:ATSEE APPR:MLONG 2009/12/30 2010/01/08 2010/01/14 | QUALITY SYMBOLS | GENERAL TOLERANCES (UNLESS SPECIFIED) | DIMENSION STYLE | SCALE | DESIGN UNITS | THIRD ANGLE PROJECTION |
| | $\nabla_A = 0$ $\nabla_B = 0$ $\nabla_C = 0$ | mm INCH 4 PLACES ± --- ± --- 3 PLACES ± --- ± .010 2 PLACES ± 0.25 ± --- 1 PLACE ± --- ± --- ANGULAR ± 1/2° | IN/MM DRAWN BY: DJB DATE: 1991/10/21 CHECKED BY: DATE: 1991/10/21 APPROVED BY: MLONG DATE: 2010/01/14 | NTS TITLE: EARLY ENTRY R/A RECPT .120"PC TAIL W/O LOWER ROW PINSTOP-.100" GRID | MOLEX MOLEX INCORPORATED | SHEET NO. 16 OF 26 |
| | DRAFT WHERE APPLICABLE MUST REMAIN WITHIN DIMENSIONS | SEE TABLE | MATERIAL NO. SDA-71973-**** | DOCUMENT NO. | THIS DRAWING CONTAINS INFORMATION THAT IS PROPRIETARY TO MOLEX INCORPORATED AND SHOULD NOT BE USED WITHOUT WRITTEN PERMISSION | |
| | "X" INDICATES TOOLING IS NOT AVAILABLE | K | REV | SIZE A3 | | |

| NO. OF CKTS | | OPTION E ASSEMBLY PACKAGED IN TRAYS PER PK-70873-0239 (SEE SHEET I FOR FINISH SPECIFICATIONS) | | | | | DIMENSION | | NO. OF CKTS | | OPTION E ASSEMBLY PACKAGED IN TRAYS PER PK-70873-0239 (SEE SHEET I FOR FINISH SPECIFICATIONS) | | | | | DIMENSION | |
|-------------|-------|---|------------|------------|------------------|------------------|-----------|-------|-------------|------------|---|------------------|------------------|---------|-------|-----------|--|
| PER ROW | TOTAL | 15 GOLD | 30 GOLD | 50 GOLD | A | B | PER ROW | TOTAL | 15 GOLD | 30 GOLD | 50 GOLD | A | B | PER ROW | TOTAL | | |
| 4 | 8 | 71973-8204 | 71973-8304 | 71973-8404 | .300 (7.62) | .395 (10.03) | 34 | 68 | 71973-8234 | 71973-8334 | 71973-8434 | 3.300 (83.82) | 3.395 (86.23) | 4 | 8 | | |
| 5 | 10 | 71973-8205 | 71973-8305 | 71973-8405 | .400 (10.16) | .495 (12.57) | 35 | 70 | 71973-8235 | 71973-8335 | 71973-8435 | 3.400 (86.36) | 3.495 (88.77) | 5 | 10 | | |
| 6 | 12 | 71973-8206 | 71973-8306 | 71973-8406 | .500 (12.70) | .595 (15.11) | 36 | 72 | 71973-8236 | 71973-8336 | 71973-8436 | 3.500 (88.90) | 3.595 (91.31) | 6 | 12 | | |
| 7 | 14 | 71973-8207 | 71973-8307 | 71973-8407 | .600 (15.24) | .695 (17.65) | | | | | | | | 7 | 14 | | |
| 8 | 16 | 71973-8208 | 71973-8308 | 71973-8408 | .700 (17.78) | .795 (20.19) | | | | | | | | 8 | 16 | | |
| 9 | 18 | 71973-8209 | 71973-8309 | 71973-8409 | .800 (20.32) | .895 (22.73) | | | | | | | | 9 | 18 | | |
| 10 | 20 | 71973-8210 | 71973-8310 | 71973-8410 | .900 (22.86) | .995 (25.27) | | | | | | | | 10 | 20 | | |
| 11 | 22 | 71973-8211 | 71973-8311 | 71973-8411 | 1.000 (25.40) | 1.095 (27.81) | | | | | | | | 11 | 22 | | |
| 12 | 24 | 71973-8212 | 71973-8312 | 71973-8412 | 1.100 (27.94) | 1.195 (30.35) | | | | | | | | 12 | 24 | | |
| 13 | 26 | 71973-8213 | 71973-8313 | 71973-8413 | 1.200 (30.48) | 1.295 (32.89) | | | | | | | | 13 | 26 | | |
| 14 | 28 | 71973-8214 | 71973-8314 | 71973-8414 | 1.300 (33.02) | 1.395 (35.43) | | | | | | | | 14 | 28 | | |
| 15 | 30 | 71973-8215 | 71973-8315 | 71973-8415 | 1.400 (35.56) | 1.495 (37.97) | | | | | | | | 15 | 30 | | |
| 16 | 32 | 71973-8216 | 71973-8316 | 71973-8416 | 1.500 (38.10) | 1.595 (40.51) | | | | | | | | 16 | 32 | | |
| 17 | 34 | 71973-8217 | 71973-8317 | 71973-8417 | 1.600 (40.64) | 1.695 (43.05) | | | | | | | | 17 | 34 | | |
| 18 | 36 | 71973-8218 | 71973-8318 | 71973-8418 | 1.700 (43.18) | 1.795 (45.59) | | | | | | | | 18 | 36 | | |
| 19 | 38 | 71973-8219 | 71973-8319 | 71973-8419 | 1.800 (45.72) | 1.895 (48.13) | | | | | | | | 19 | 38 | | |
| 20 | 40 | 71973-8220 | 71973-8320 | 71973-8420 | 1.900 (48.26) | 1.995 (50.67) | | | | | | | | 20 | 40 | | |
| 21 | 42 | 71973-8221 | 71973-8321 | 71973-8421 | 2.000 (50.80) | 2.095 (53.21) | | | | | | | | 21 | 42 | | |
| 22 | 44 | 71973-8222 | 71973-8322 | 71973-8422 | 2.100 (53.34) | 2.195 (55.75) | | | | | | | | 22 | 44 | | |
| 23 | 46 | 71973-8223 | 71973-8323 | 71973-8423 | 2.200 (55.88) | 2.295 (58.29) | | | | | | | | 23 | 46 | | |
| 24 | 48 | 71973-8224 | 71973-8324 | 71973-8424 | 2.300 (58.42) | 2.395 (60.83) | | | | | | | | 24 | 48 | | |
| 25 | 50 | 71973-8225 | 71973-8325 | 71973-8425 | 2.400 (60.96) | 2.495 (63.37) | | | | | | | | 25 | 50 | | |
| 26 | 52 | 71973-8226 | 71973-8326 | 71973-8426 | 2.500 (63.50) | 2.595 (65.91) | | | | | | | | 26 | 52 | | |
| 27 | 54 | 71973-8227 | 71973-8327 | 71973-8427 | 2.600 (66.04) | 2.695 (68.45) | | | | | | | | 27 | 54 | | |
| 28 | 56 | 71973-8228 | 71973-8328 | 71973-8428 | 2.700 (68.58) | 2.795 (70.99) | | | | | | | | 28 | 56 | | |
| 29 | 58 | 71973-8229 | 71973-8329 | 71973-8429 | 2.800 (71.12) | 2.895 (73.53) | | | | | | | | 29 | 58 | | |
| 30 | 60 | 71973-8230 | 71973-8330 | 71973-8430 | 2.900 (73.66) | 2.995 (76.07) | | | | | | | | 30 | 60 | | |
| 31 | 62 | 71973-8231 | 71973-8331 | 71973-8431 | 3.000 (76.20) | 3.095 (78.61) | | | | | | | | 31 | 62 | | |
| 32 | 64 | 71973-8232 | 71973-8332 | 71973-8432 | 3.100 (78.74) | 3.195 (81.15) | | | | | | | | 32 | 64 | | |
| 33 | 66 | 71973-8233 | 71973-8333 | 71973-8433 | 3.200 (81.28) | 3.295 (83.69) | | | | | | | | 33 | 66 | | |

| | | | | | | |
|---|--|---|--|--|--|-----------------------|
| *X INDICATES TOOLING IS NOT AVAILABLE. ADD OPTION K & L EC NO: S2010-0534 DRWN:SKANG CHKD:ATSEE APPR:MLONG 2009/12/30 2010/01/08 2010/01/14 | QUALITY SYMBOLS $F_A=0$ $F_C=0$ $F_P=0$ | GENERAL TOLERANCES (UNLESS SPECIFIED) 4 PLACES \pm --- \pm --- 3 PLACES \pm --- \pm .010 2 PLACES \pm 0.25 \pm --- 1 PLACE \pm --- \pm --- ANGULAR \pm 1/2° | DIMENSION STYLE IN/MM DRAWN BY: DJB DATE: 1991/10/21 CHECKED BY: DJB DATE: 1991/10/21 APPROVED BY: MLONG DATE: 2010/01/14 | SCALE NTS DESIGN UNITS INCH THIRD ANGLE PROJECTION | TITLE EARLY ENTRY R/A RECPT .120"PC TAIL W/O LOWER ROW PINSTOP-.100" GRID MOLEX INCORPORATED DOCUMENT NO. SDA-71973-**** | SHEET NO. 18 OF 26 |
| | DRAFT WHERE APPLICABLE MUST REMAIN WITHIN DIMENSIONS | | SEE TABLE | THIS DRAWING CONTAINS INFORMATION THAT IS PROPRIETARY TO MOLEX INCORPORATED AND SHOULD NOT BE USED WITHOUT WRITTEN PERMISSION | | |
| | SIZE A3 | | | | | |
| | | | | | | |

| NO. OF CKTS | | OPTION F ASSEMBLY PACKAGED IN TRAYS PER PK-70873-0239 (SEE SHEET I FOR FINISH SPECIFICATIONS) | | | | | DIMENSION | | | | NO. OF CKTS | | OPTION F ASSEMBLY PACKAGED IN TRAYS PER PK-70873-0239 (SEE SHEET I FOR FINISH SPECIFICATIONS) | | | | | DIMENSION | | | |
|-------------|-------|---|--|------------|------------|------------|------------------|------------------|--|------------------|-------------|-------|---|--|------------|------------|------------|------------------|------------------|--|------------------|
| PER ROW | TOTAL | 15 GOLD | | | 30 GOLD | 50 GOLD | A | B | | D | PER ROW | TOTAL | 15 GOLD | | | 30 GOLD | 50 GOLD | A | B | | D |
| 4 | 8 | | | 71973-8604 | 71973-8704 | 71973-8804 | .300 (16.71) | .395 (10.03) | | .658 (16.71) | 34 | 68 | | | 71973-8634 | 71973-8734 | 71973-8834 | 3.300 (83.82) | 3.395 (86.23) | | 3.658 (92.91) |
| 5 | 10 | | | 71973-8605 | 71973-8705 | 71973-8805 | .400 (10.16) | .495 (12.57) | | .758 (19.25) | 35 | 70 | | | 71973-8635 | 71973-8735 | 71973-8835 | 3.400 (86.36) | 3.495 (88.77) | | 3.758 (95.45) |
| 6 | 12 | | | 71973-8606 | 71973-8706 | 71973-8806 | .500 (12.70) | .595 (15.11) | | .858 (21.79) | 36 | 72 | | | 71973-8636 | 71973-8736 | 71973-8836 | 3.500 (88.90) | 3.595 (91.31) | | 3.858 (97.99) |
| 7 | 14 | | | 71973-8607 | 71973-8707 | 71973-8807 | .600 (15.24) | .695 (17.65) | | .958 (24.33) | | | | | | | | | | | |
| 8 | 16 | | | 71973-8608 | 71973-8708 | 71973-8808 | .700 (17.78) | .795 (20.19) | | 1.058 (26.87) | | | | | | | | | | | |
| 9 | 18 | | | 71973-8609 | 71973-8709 | 71973-8809 | .800 (20.32) | .895 (22.73) | | 1.158 (29.41) | | | | | | | | | | | |
| 10 | 20 | | | 71973-8610 | 71973-8710 | 71973-8810 | .900 (22.86) | .995 (25.27) | | 1.258 (31.95) | | | | | | | | | | | |
| 11 | 22 | | | 71973-8611 | 71973-8711 | 71973-8811 | 1.000 (25.40) | 1.095 (27.81) | | 1.358 (34.49) | | | | | | | | | | | |
| 12 | 24 | | | 71973-8612 | 71973-8712 | 71973-8812 | 1.100 (27.94) | 1.195 (30.35) | | 1.458 (37.03) | | | | | | | | | | | |
| 13 | 26 | | | 71973-8613 | 71973-8713 | 71973-8813 | 1.200 (30.48) | 1.295 (32.89) | | 1.558 (39.57) | | | | | | | | | | | |
| 14 | 28 | | | 71973-8614 | 71973-8714 | 71973-8814 | 1.300 (33.02) | 1.395 (35.43) | | 1.658 (42.11) | | | | | | | | | | | |
| 15 | 30 | | | 71973-8615 | 71973-8715 | 71973-8815 | 1.400 (35.56) | 1.495 (37.97) | | 1.758 (44.65) | | | | | | | | | | | |
| 16 | 32 | | | 71973-8616 | 71973-8716 | 71973-8816 | 1.500 (38.10) | 1.595 (40.51) | | 1.858 (47.19) | | | | | | | | | | | |
| 17 | 34 | | | 71973-8617 | 71973-8717 | 71973-8817 | 1.600 (40.64) | 1.695 (43.05) | | 1.958 (49.73) | | | | | | | | | | | |
| 18 | 36 | | | 71973-8618 | 71973-8718 | 71973-8818 | 1.700 (43.18) | 1.795 (45.59) | | 2.058 (52.27) | | | | | | | | | | | |
| 19 | 38 | | | 71973-8619 | 71973-8719 | 71973-8819 | 1.800 (45.72) | 1.895 (48.13) | | 2.158 (54.81) | | | | | | | | | | | |
| 20 | 40 | | | 71973-8620 | 71973-8720 | 71973-8820 | 1.900 (48.26) | 1.995 (50.67) | | 2.258 (57.35) | | | | | | | | | | | |
| 21 | 42 | | | 71973-8621 | 71973-8721 | 71973-8821 | 2.000 (50.80) | 2.095 (53.21) | | 2.358 (59.89) | | | | | | | | | | | |
| 22 | 44 | | | 71973-8622 | 71973-8722 | 71973-8822 | 2.100 (53.34) | 2.195 (55.75) | | 2.458 (62.43) | | | | | | | | | | | |
| 23 | 46 | | | 71973-8623 | 71973-8723 | 71973-8823 | 2.200 (55.88) | 2.295 (58.29) | | 2.558 (64.97) | | | | | | | | | | | |
| 24 | 48 | | | 71973-8624 | 71973-8724 | 71973-8824 | 2.300 (58.42) | 2.395 (60.83) | | 2.658 (67.51) | | | | | | | | | | | |
| 25 | 50 | | | 71973-8625 | 71973-8725 | 71973-8825 | 2.400 (60.96) | 2.495 (63.37) | | 2.758 (70.05) | | | | | | | | | | | |
| 26 | 52 | | | 71973-8626 | 71973-8726 | 71973-8826 | 2.500 (63.50) | 2.595 (65.91) | | 2.858 (72.59) | | | | | | | | | | | |
| 27 | 54 | | | 71973-8627 | 71973-8727 | 71973-8827 | 2.600 (66.04) | 2.695 (68.45) | | 2.958 (75.13) | | | | | | | | | | | |
| 28 | 56 | | | 71973-8628 | 71973-8728 | 71973-8828 | 2.700 (68.58) | 2.795 (70.99) | | 3.058 (77.67) | | | | | | | | | | | |
| 29 | 58 | | | 71973-8629 | 71973-8729 | 71973-8829 | 2.800 (71.12) | 2.895 (73.53) | | 3.158 (80.21) | | | | | | | | | | | |
| 30 | 60 | | | 71973-8630 | 71973-8730 | 71973-8830 | 2.900 (73.66) | 2.995 (76.07) | | 3.258 (82.75) | | | | | | | | | | | |
| 31 | 62 | | | 71973-8631 | 71973-8731 | 71973-8831 | 3.000 (76.20) | 3.095 (78.61) | | 3.358 (85.29) | | | | | | | | | | | |
| 32 | 64 | | | 71973-8632 | 71973-8732 | 71973-8832 | 3.100 (78.74) | 3.195 (81.15) | | 3.458 (87.83) | | | | | | | | | | | |
| 33 | 66 | | | 71973-8633 | 71973-8733 | 71973-8833 | 3.200 (81.28) | 3.295 (83.69) | | 3.558 (90.37) | | | | | | | | | | | |

X INDICATES TOOLING IS NOT AVAILABLE.

ADD OPTION K & L
 EC NO: S2010-0534
 DRWN:SKANG 2009/12/30
 CHKD:ATSEE 2010/01/08
 APPR:MLONG 2010/01/14

QUALITY SYMBOLS
 $F_A=0$
 $F_B=0$
 $F_C=0$

DRAFT WHERE APPLICABLE
 MUST REMAIN
 WITHIN DIMENSIONS

GENERAL TOLERANCES
 (UNLESS SPECIFIED)

| | | |
|----------|--------|--------|
| | mm | INCH |
| 4 PLACES | ± --- | ± --- |
| 3 PLACES | ± --- | ± .010 |
| 2 PLACES | ± 0.25 | ± --- |
| 1 PLACE | ± --- | ± --- |

ANGULAR ±1/2°

DIMENSION STYLE
 IN/MM

SCALE
 NTS

DESIGN UNITS
 INCH

THIRD ANGLE
 PROJECTION

TITLE
 EARLY ENTRY R/A RECPT
 .120"PC TAIL W/O LOWER
 ROW PINSTOP-.100" GRID

MOLEX INCORPORATED

MATERIAL NO.
 SEE TABLE

DOCUMENT NO.
 SDA-71973-****

SHEET NO.
 19 OF 26

THIS DRAWING CONTAINS INFORMATION THAT IS PROPRIETARY TO MOLEX
 INCORPORATED AND SHOULD NOT BE USED WITHOUT WRITTEN PERMISSION

| 10 | | 9 | | | 8 | | | 7 | | | 6 | | | 5 | | | 4 | | | 3 | | | 2 | | | 1 | | | |
|-------------|-------|---|------------|---|------------|---|------------|------------------|------------------|--|-----------|------------------|----|----|-------------|------------|---|------------|---|------------|------------------|------------------|---------|--|------------------|-----------|---|--|---|
| NO. OF CKTS | | OPTION H ASSEMBLY PACKAGED IN TUBES PER PK-70873-0139 (SEE SHEET I FOR FINISH SPECIFICATIONS) | | | | | | | | | DIMENSION | | | | NO. OF CKTS | | OPTION H ASSEMBLY PACKAGED IN TUBES PER PK-70873-0139 (SEE SHEET I FOR FINISH SPECIFICATIONS) | | | | | | | | | DIMENSION | | | |
| PER ROW | TOTAL | 15 GOLD | | | 30 GOLD | | | 50 GOLD | | | A | B | | D | PER ROW | TOTAL | 15 GOLD | | | 30 GOLD | | | 50 GOLD | | | A | B | | D |
| 4 | 8 | X | 71973-5804 | X | 71973-5904 | X | 71973-6004 | .300 (7.62) | .395 (10.03) | | | .658 (16.71) | 31 | 62 | X | 71973-5831 | X | 71973-5931 | X | 71973-6031 | 3.000 (76.20) | 3.095 (78.61) | | | 3.358 (85.29) | | | | |
| 5 | 10 | X | 71973-5805 | X | 71973-5905 | X | 71973-6005 | .400 (10.16) | .495 (12.57) | | | .758 (19.25) | 32 | 64 | X | 71973-5832 | X | 71973-5932 | X | 71973-6032 | 3.100 (78.74) | 3.195 (81.15) | | | 3.458 (87.83) | | | | |
| 6 | 12 | X | 71973-5806 | X | 71973-5906 | X | 71973-6006 | .500 (12.70) | .595 (15.11) | | | .858 (21.79) | 33 | 66 | X | 71973-5833 | X | 71973-5933 | X | 71973-6033 | 3.200 (81.28) | 3.295 (83.69) | | | 3.558 (90.37) | | | | |
| 7 | 14 | X | 71973-5807 | X | 71973-5907 | X | 71973-6007 | .600 (15.24) | .695 (17.65) | | | .958 (24.33) | 34 | 68 | X | 71973-5834 | X | 71973-5934 | X | 71973-6034 | 3.300 (83.82) | 3.395 (86.23) | | | 3.658 (92.91) | | | | |
| 8 | 16 | X | 71973-5808 | X | 71973-5908 | X | 71973-6008 | .700 (17.78) | .795 (20.19) | | | 1.058 (26.87) | 35 | 70 | X | 71973-5835 | X | 71973-5935 | X | 71973-6035 | 3.400 (86.36) | 3.495 (88.77) | | | 3.758 (95.45) | | | | |
| 9 | 18 | X | 71973-5809 | X | 71973-5909 | X | 71973-6009 | .800 (20.32) | .895 (22.73) | | | 1.158 (29.41) | 36 | 72 | X | 71973-5836 | X | 71973-5936 | X | 71973-6036 | 3.500 (88.90) | 3.595 (91.31) | | | 3.858 (97.99) | | | | |
| 10 | 20 | X | 71973-5810 | X | 71973-5910 | X | 71973-6010 | .900 (22.86) | .995 (25.27) | | | 1.258 (31.95) | | | | | | | | | | | | | | | | | |
| 11 | 22 | X | 71973-5811 | X | 71973-5911 | X | 71973-6011 | 1.000 (25.40) | 1.095 (27.81) | | | 1.358 (34.49) | | | | | | | | | | | | | | | | | |
| 12 | 24 | X | 71973-5812 | X | 71973-5912 | X | 71973-6012 | 1.100 (27.94) | 1.195 (30.35) | | | 1.458 (37.03) | | | | | | | | | | | | | | | | | |
| 13 | 26 | X | 71973-5813 | X | 71973-5913 | X | 71973-6013 | 1.200 (30.48) | 1.295 (32.89) | | | 1.558 (39.57) | | | | | | | | | | | | | | | | | |
| 14 | 28 | X | 71973-5814 | X | 71973-5914 | X | 71973-6014 | 1.300 (33.02) | 1.395 (35.43) | | | 1.658 (42.11) | | | | | | | | | | | | | | | | | |
| 15 | 30 | X | 71973-5815 | X | 71973-5915 | X | 71973-6015 | 1.400 (35.56) | 1.495 (37.97) | | | 1.758 (44.65) | | | | | | | | | | | | | | | | | |
| 16 | 32 | X | 71973-5816 | X | 71973-5916 | X | 71973-6016 | 1.500 (38.10) | 1.595 (40.51) | | | 1.858 (47.19) | | | | | | | | | | | | | | | | | |
| 17 | 34 | X | 71973-5817 | X | 71973-5917 | X | 71973-6017 | 1.600 (40.64) | 1.695 (43.05) | | | 1.958 (49.73) | | | | | | | | | | | | | | | | | |
| 18 | 36 | X | 71973-5818 | X | 71973-5918 | X | 71973-6018 | 1.700 (43.18) | 1.795 (45.59) | | | 2.058 (52.27) | | | | | | | | | | | | | | | | | |
| 19 | 38 | X | 71973-5819 | X | 71973-5919 | X | 71973-6019 | 1.800 (45.72) | 1.895 (48.13) | | | 2.158 (54.81) | | | | | | | | | | | | | | | | | |
| 20 | 40 | X | 71973-5820 | X | 71973-5920 | X | 71973-6020 | 1.900 (48.26) | 1.995 (50.67) | | | 2.258 (57.35) | | | | | | | | | | | | | | | | | |
| 21 | 42 | X | 71973-5821 | X | 71973-5921 | X | 71973-6021 | 2.000 (50.80) | 2.095 (53.21) | | | 2.358 (59.89) | | | | | | | | | | | | | | | | | |
| 22 | 44 | X | 71973-5822 | X | 71973-5922 | X | 71973-6022 | 2.100 (53.34) | 2.195 (55.75) | | | 2.458 (62.43) | | | | | | | | | | | | | | | | | |
| 23 | 46 | X | 71973-5823 | X | 71973-5923 | X | 71973-6023 | 2.200 (55.88) | 2.295 (58.29) | | | 2.558 (64.97) | | | | | | | | | | | | | | | | | |
| 24 | 48 | X | 71973-5824 | X | 71973-5924 | X | 71973-6024 | 2.300 (58.42) | 2.395 (60.83) | | | 2.658 (67.51) | | | | | | | | | | | | | | | | | |
| 25 | 50 | X | 71973-5825 | X | 71973-5925 | X | 71973-6025 | 2.400 (60.96) | 2.495 (63.37) | | | 2.758 (70.05) | | | | | | | | | | | | | | | | | |
| 26 | 52 | X | 71973-5826 | X | 71973-5926 | X | 71973-6026 | 2.500 (63.50) | 2.595 (65.91) | | | 2.858 (72.59) | | | | | | | | | | | | | | | | | |
| 27 | 54 | X | 71973-5827 | X | 71973-5927 | X | 71973-6027 | 2.600 (66.04) | 2.695 (68.45) | | | 2.958 (75.13) | | | | | | | | | | | | | | | | | |
| 28 | 56 | X | 71973-5828 | X | 71973-5928 | X | 71973-6028 | 2.700 (68.58) | 2.795 (70.99) | | | 3.058 (77.67) | | | | | | | | | | | | | | | | | |
| 29 | 58 | X | 71973-5829 | X | 71973-5929 | X | 71973-6029 | 2.800 (71.12) | 2.895 (73.53) | | | 3.158 (80.21) | | | | | | | | | | | | | | | | | |
| 30 | 60 | X | 71973-5830 | X | 71973-5930 | X | 71973-6030 | 2.900 (73.66) | 2.995 (76.07) | | | 3.258 (82.75) | | | | | | | | | | | | | | | | | |

*X INDICATES TOOLING IS NOT AVAILABLE.

| | |
|---|-----------------|
| ADD OPTION K & L EC NO: S2010-0534 DRWN:SKANG 2009/12/30 CHKD:ATSEE 2010/01/08 APPR:MLONG 2010/01/14 | QUALITY SYMBOLS |
| | $F_A = 0$ |
| | $F_C = 0$ |
| | $F_P = 0$ |
| K | REV |

| | | | | |
|--|-----------------|------------|------------------------|------------------------|
| GENERAL TOLERANCES (UNLESS SPECIFIED) | DIMENSION STYLE | SCALE | DESIGN UNITS | THIRD ANGLE PROJECTION |
| | IN/MM | NTS | INCH | |
| 4 PLACES ± --- ± --- | DRAWN BY | DATE | TITLE | |
| 3 PLACES ± --- ± .010 | DJB | 1991/10/21 | EARLY ENTRY R/A RECPT | |
| 2 PLACES ± 0.25 ± --- | CHECKED BY | DATE | .120"PC TAIL W/O LOWER | |
| 1 PLACE ± --- ± --- | DJB | 1991/10/21 | ROW PINSTOP-.100" GRID | |
| ANGULAR ± 1/2° | APPROVED BY | DATE | MOLEX INCORPORATED | |
| | MLONG | 2010/01/14 | | |
| DRAFT WHERE APPLICABLE MUST REMAIN WITHIN DIMENSIONS | MATERIAL NO. | SEE TABLE | DOCUMENT NO. | SDA-71973-**** |
| | SIZE | A3 | SHEET NO. 21 OF 26 | |

| | |
|---|--|
| THIS DRAWING CONTAINS INFORMATION THAT IS PROPRIETARY TO MOLEX INCORPORATED AND SHOULD NOT BE USED WITHOUT WRITTEN PERMISSION | |
|---|--|

| NO. OF CKTS | | OPTION G ASSEMBLY PACKAGED IN TRAYS PER PK-70873-0239 (SEE SHEET I FOR FINISH SPECIFICATIONS) | | | | | DIMENSION | | | | NO. OF CKTS | | OPTION G ASSEMBLY PACKAGED IN TRAYS PER PK-70873-0239 (SEE SHEET I FOR FINISH SPECIFICATIONS) | | | | | DIMENSION | | | | | | | | |
|-------------|-------|---|--|--|------------|------------|------------|------------------|------------------|--|-------------|--|---|-------|--|--|--|-----------|---------|------------------|------------------|---|--|--|--|--|
| PER ROW | TOTAL | | | | 15 GOLD | 30 GOLD | 50 GOLD | A | B | | | | PER ROW | TOTAL | | | | 15 GOLD | 30 GOLD | 50 GOLD | A | B | | | | |
| 4 | 8 | | | | 71973-9004 | 71973-9104 | 71973-9204 | .300 (7.62) | .395 (10.03) | | | | | | | | | | | 3.300 (83.82) | 3.395 (86.23) | | | | | |
| 5 | 10 | | | | 71973-9005 | 71973-9105 | 71973-9205 | .400 (10.16) | .495 (12.57) | | | | | | | | | | | 3.400 (86.36) | 3.495 (88.77) | | | | | |
| 6 | 12 | | | | 71973-9006 | 71973-9106 | 71973-9206 | .500 (12.70) | .595 (15.11) | | | | | | | | | | | 3.500 (88.90) | 3.595 (91.31) | | | | | |
| 7 | 14 | | | | 71973-9007 | 71973-9107 | 71973-9207 | .600 (15.24) | .695 (17.65) | | | | | | | | | | | | | | | | | |
| 8 | 16 | | | | 71973-9008 | 71973-9108 | 71973-9208 | .700 (17.78) | .795 (20.19) | | | | | | | | | | | | | | | | | |
| 9 | 18 | | | | 71973-9009 | 71973-9109 | 71973-9209 | .800 (20.32) | .895 (22.73) | | | | | | | | | | | | | | | | | |
| 10 | 20 | | | | 71973-9010 | 71973-9110 | 71973-9210 | .900 (22.86) | .995 (25.27) | | | | | | | | | | | | | | | | | |
| 11 | 22 | | | | 71973-9011 | 71973-9111 | 71973-9211 | 1.000 (25.40) | 1.095 (27.81) | | | | | | | | | | | | | | | | | |
| 12 | 24 | | | | 71973-9012 | 71973-9112 | 71973-9212 | 1.100 (27.94) | 1.195 (30.35) | | | | | | | | | | | | | | | | | |
| 13 | 26 | | | | 71973-9013 | 71973-9113 | 71973-9213 | 1.200 (30.48) | 1.295 (32.89) | | | | | | | | | | | | | | | | | |
| 14 | 28 | | | | 71973-9014 | 71973-9114 | 71973-9214 | 1.300 (33.02) | 1.395 (35.43) | | | | | | | | | | | | | | | | | |
| 15 | 30 | | | | 71973-9015 | 71973-9115 | 71973-9215 | 1.400 (35.56) | 1.495 (37.97) | | | | | | | | | | | | | | | | | |
| 16 | 32 | | | | 71973-9016 | 71973-9116 | 71973-9216 | 1.500 (38.10) | 1.595 (40.51) | | | | | | | | | | | | | | | | | |
| 17 | 34 | | | | 71973-9017 | 71973-9117 | 71973-9217 | 1.600 (40.64) | 1.695 (43.05) | | | | | | | | | | | | | | | | | |
| 18 | 36 | | | | 71973-9018 | 71973-9118 | 71973-9218 | 1.700 (43.18) | 1.795 (45.59) | | | | | | | | | | | | | | | | | |
| 19 | 38 | | | | 71973-9019 | 71973-9119 | 71973-9219 | 1.800 (45.72) | 1.895 (48.13) | | | | | | | | | | | | | | | | | |
| 20 | 40 | | | | 71973-9020 | 71973-9120 | 71973-9220 | 1.900 (48.26) | 1.995 (50.67) | | | | | | | | | | | | | | | | | |
| 21 | 42 | | | | 71973-9021 | 71973-9121 | 71973-9221 | 2.000 (50.80) | 2.095 (53.21) | | | | | | | | | | | | | | | | | |
| 22 | 44 | | | | 71973-9022 | 71973-9122 | 71973-9222 | 2.100 (53.34) | 2.195 (55.75) | | | | | | | | | | | | | | | | | |
| 23 | 46 | | | | 71973-9023 | 71973-9123 | 71973-9223 | 2.200 (55.88) | 2.295 (58.29) | | | | | | | | | | | | | | | | | |
| 24 | 48 | | | | 71973-9024 | 71973-9124 | 71973-9224 | 2.300 (58.42) | 2.395 (60.83) | | | | | | | | | | | | | | | | | |
| 25 | 50 | | | | 71973-9025 | 71973-9125 | 71973-9225 | 2.400 (60.96) | 2.495 (63.37) | | | | | | | | | | | | | | | | | |
| 26 | 52 | | | | 71973-9026 | 71973-9126 | 71973-9226 | 2.500 (63.50) | 2.595 (65.91) | | | | | | | | | | | | | | | | | |
| 27 | 54 | | | | 71973-9027 | 71973-9127 | 71973-9227 | 2.600 (66.04) | 2.695 (68.45) | | | | | | | | | | | | | | | | | |
| 28 | 56 | | | | 71973-9028 | 71973-9128 | 71973-9228 | 2.700 (68.58) | 2.795 (70.99) | | | | | | | | | | | | | | | | | |
| 29 | 58 | | | | 71973-9029 | 71973-9129 | 71973-9229 | 2.800 (71.12) | 2.895 (73.53) | | | | | | | | | | | | | | | | | |
| 30 | 60 | | | | 71973-9030 | 71973-9130 | 71973-9230 | 2.900 (73.66) | 2.995 (76.07) | | | | | | | | | | | | | | | | | |
| 31 | 62 | | | | 71973-9031 | 71973-9131 | 71973-9231 | 3.000 (76.20) | 3.095 (78.61) | | | | | | | | | | | | | | | | | |
| 32 | 64 | | | | 71973-9032 | 71973-9132 | 71973-9232 | 3.100 (78.74) | 3.195 (81.15) | | | | | | | | | | | | | | | | | |
| 33 | 66 | | | | 71973-9033 | 71973-9133 | 71973-9233 | 3.200 (81.28) | 3.295 (83.69) | | | | | | | | | | | | | | | | | |

| | | | | | | | |
|--|--|--|---|---|--|------------------------|--------------------|
| ADD OPTION K & L EC NO: S2010-0534 DRWN:SKANG 2009/12/30 CHKD:ATSEE 2010/01/08 APPR:MLONG 2010/01/14 | QUALITY SYMBOLS | GENERAL TOLERANCES (UNLESS SPECIFIED) | DIMENSION STYLE | SCALE | DESIGN UNITS | THIRD ANGLE PROJECTION | |
| | $F_A = 0$ $F_G = 0$ $F_P = 0$ | mm INCH 4 PLACES ± --- ± --- 3 PLACES ± --- ± .010 2 PLACES ± 0.25 ± --- 1 PLACE ± --- ± --- ANGULAR ± 1/2° | IN/MM DRAWN BY DATE DJB 1991/10/21 CHECKED BY DATE DJB 1991/10/21 APPROVED BY DATE MLONG 2010/01/14 | NTS TITLE EARLY ENTRY R/A RECPT .120"PC TAIL W/O LOWER ROW PINSTOP-.100" GRID | INCH | | MOLEX INCORPORATED |
| | DRAFT WHERE APPLICABLE MUST REMAIN WITHIN DIMENSIONS | SEE TABLE | MATERIAL NO. DOCUMENT NO. SDA-71973-**** | SHEET NO. 22 OF 26 | THIS DRAWING CONTAINS INFORMATION THAT IS PROPRIETARY TO MOLEX INCORPORATED AND SHOULD NOT BE USED WITHOUT WRITTEN PERMISSION | | |
| | *X* INDICATES TOOLING IS NOT AVAILABLE | | | | | | |

| 10 | | 9 | | | 8 | | | 7 | | | 6 | | | 5 | | | 4 | | | 3 | | | 2 | | | 1 | | |
|-------------|-------|---|--------------|--------------|--------------|------------------|------------------|---|------------------|---------|-----------|--|--------------|--------------|--------------|---|------------------|--|------------------|---|--|--|---|--|-----------|---|--|--|
| NO. OF CKTS | | OPTION H ASSEMBLY PACKAGED IN TRAYS PER PK-70873-0239 (SEE SHEET I FOR FINISH SPECIFICATIONS) | | | | | | | | | DIMENSION | | | NO. OF CKTS | | OPTION H ASSEMBLY PACKAGED IN TRAYS PER PK-70873-0239 (SEE SHEET I FOR FINISH SPECIFICATIONS) | | | | | | | | | DIMENSION | | | |
| PER ROW | TOTAL | | IS GOLD | 30 GOLD | 50 GOLD | A | B | | D | PER ROW | TOTAL | | IS GOLD | 30 GOLD | 50 GOLD | A | B | | D | | | | | | | | | |
| 4 | 8 | | X 71973-9404 | X 71973-9504 | X 71973-9604 | .300 (7.62) | .395 (10.03) | | .658 (16.71) | 33 | 66 | | X 71973-9433 | X 71973-9533 | X 71973-9633 | 3.200 (81.28) | 3.295 (83.69) | | 3.558 (90.37) | | | | | | | | | |
| 5 | 10 | | X 71973-9405 | X 71973-9505 | X 71973-9605 | .400 (10.16) | .495 (12.57) | | .758 (19.25) | 34 | 68 | | X 71973-9434 | X 71973-9534 | X 71973-9634 | 3.300 (83.82) | 3.395 (86.23) | | 3.658 (92.91) | | | | | | | | | |
| 6 | 12 | | X 71973-9406 | X 71973-9506 | X 71973-9606 | .500 (12.70) | .595 (15.11) | | .858 (21.79) | 35 | 70 | | X 71973-9435 | X 71973-9535 | X 71973-9635 | 3.400 (86.36) | 3.495 (88.77) | | 3.758 (95.45) | | | | | | | | | |
| 7 | 14 | | X 71973-9407 | X 71973-9507 | X 71973-9607 | .600 (15.24) | .695 (17.65) | | .958 (24.33) | 36 | 72 | | X 71973-9436 | X 71973-9536 | X 71973-9636 | 3.500 (88.90) | 3.595 (91.31) | | 3.858 (97.99) | | | | | | | | | |
| 8 | 16 | | X 71973-9408 | X 71973-9508 | X 71973-9608 | .700 (17.78) | .795 (20.19) | | 1.058 (26.87) | | | | | | | | | | | | | | | | | | | |
| 9 | 18 | | X 71973-9409 | X 71973-9509 | X 71973-9609 | .800 (20.32) | .895 (22.73) | | 1.158 (29.41) | | | | | | | | | | | | | | | | | | | |
| 10 | 20 | | X 71973-9410 | X 71973-9510 | X 71973-9610 | .900 (22.86) | .995 (25.27) | | 1.258 (31.95) | | | | | | | | | | | | | | | | | | | |
| 11 | 22 | | X 71973-9411 | X 71973-9511 | X 71973-9611 | 1.000 (25.40) | 1.095 (27.81) | | 1.358 (34.49) | | | | | | | | | | | | | | | | | | | |
| 12 | 24 | | X 71973-9412 | X 71973-9512 | X 71973-9612 | 1.100 (27.94) | 1.195 (30.35) | | 1.458 (37.03) | | | | | | | | | | | | | | | | | | | |
| 13 | 26 | | X 71973-9413 | X 71973-9513 | X 71973-9613 | 1.200 (30.48) | 1.295 (32.89) | | 1.558 (39.57) | | | | | | | | | | | | | | | | | | | |
| 14 | 28 | | X 71973-9414 | X 71973-9514 | X 71973-9614 | 1.300 (33.02) | 1.395 (35.43) | | 1.658 (42.11) | | | | | | | | | | | | | | | | | | | |
| 15 | 30 | | X 71973-9415 | X 71973-9515 | X 71973-9615 | 1.400 (35.56) | 1.495 (37.97) | | 1.758 (44.65) | | | | | | | | | | | | | | | | | | | |
| 16 | 32 | | X 71973-9416 | X 71973-9516 | X 71973-9616 | 1.500 (38.10) | 1.595 (40.51) | | 1.858 (47.19) | | | | | | | | | | | | | | | | | | | |
| 17 | 34 | | X 71973-9417 | X 71973-9517 | X 71973-9617 | 1.600 (40.64) | 1.695 (43.05) | | 1.958 (49.73) | | | | | | | | | | | | | | | | | | | |
| 18 | 36 | | X 71973-9418 | X 71973-9518 | X 71973-9618 | 1.700 (43.18) | 1.795 (45.59) | | 2.058 (52.27) | | | | | | | | | | | | | | | | | | | |
| 19 | 38 | | X 71973-9419 | X 71973-9519 | X 71973-9619 | 1.800 (45.72) | 1.895 (48.13) | | 2.158 (54.81) | | | | | | | | | | | | | | | | | | | |
| 20 | 40 | | X 71973-9420 | X 71973-9520 | X 71973-9620 | 1.900 (48.26) | 1.995 (50.67) | | 2.258 (57.35) | | | | | | | | | | | | | | | | | | | |
| 21 | 42 | | X 71973-9421 | X 71973-9521 | X 71973-9621 | 2.000 (50.80) | 2.095 (53.21) | | 2.358 (59.89) | | | | | | | | | | | | | | | | | | | |
| 22 | 44 | | X 71973-9422 | X 71973-9522 | X 71973-9622 | 2.100 (53.34) | 2.195 (55.75) | | 2.458 (62.43) | | | | | | | | | | | | | | | | | | | |
| 23 | 46 | | X 71973-9423 | X 71973-9523 | X 71973-9623 | 2.200 (55.88) | 2.295 (58.29) | | 2.558 (64.97) | | | | | | | | | | | | | | | | | | | |
| 24 | 48 | | X 71973-9424 | X 71973-9524 | X 71973-9624 | 2.300 (58.42) | 2.395 (60.83) | | 2.658 (67.51) | | | | | | | | | | | | | | | | | | | |
| 25 | 50 | | X 71973-9425 | X 71973-9525 | X 71973-9625 | 2.400 (60.96) | 2.495 (63.37) | | 2.758 (70.05) | | | | | | | | | | | | | | | | | | | |
| 26 | 52 | | X 71973-9426 | X 71973-9526 | X 71973-9626 | 2.500 (63.50) | 2.595 (65.91) | | 2.858 (72.59) | | | | | | | | | | | | | | | | | | | |
| 27 | 54 | | X 71973-9427 | X 71973-9527 | X 71973-9627 | 2.600 (66.04) | 2.695 (68.45) | | 2.958 (75.13) | | | | | | | | | | | | | | | | | | | |
| 28 | 56 | | X 71973-9428 | X 71973-9528 | X 71973-9628 | 2.700 (68.58) | 2.795 (70.99) | | 3.058 (77.67) | | | | | | | | | | | | | | | | | | | |
| 29 | 58 | | X 71973-9429 | X 71973-9529 | X 71973-9629 | 2.800 (71.12) | 2.895 (73.53) | | 3.158 (80.21) | | | | | | | | | | | | | | | | | | | |
| 30 | 60 | | X 71973-9430 | X 71973-9530 | X 71973-9630 | 2.900 (73.66) | 2.995 (76.07) | | 3.258 (82.75) | | | | | | | | | | | | | | | | | | | |
| 31 | 62 | | X 71973-9431 | X 71973-9531 | X 71973-9631 | 3.000 (76.20) | 3.095 (78.61) | | 3.358 (85.29) | | | | | | | | | | | | | | | | | | | |
| 32 | 64 | | X 71973-9432 | X 71973-9532 | X 71973-9632 | 3.100 (78.74) | 3.195 (81.15) | | 3.458 (87.83) | | | | | | | | | | | | | | | | | | | |

| X INDICATES TOOLING IS NOT AVAILABLE | | ADD OPTION K & L EC NO: S2010-0534 DRWIN:SKANG 2009/12/30 CHKD:ATSEE 2010/01/08 APPR:MLONG 2010/01/14 | | QUALITY SYMBOLS $F_A=0$ $F_C=0$ $F_P=0$ | GENERAL TOLERANCES (UNLESS SPECIFIED) <table border="1"> <tr> <th></th> <th>mm</th> <th>INCH</th> </tr> <tr> <td>4 PLACES</td> <td>± ---</td> <td>± ---</td> </tr> <tr> <td>3 PLACES</td> <td>± ---</td> <td>± .010</td> </tr> <tr> <td>2 PLACES</td> <td>± 0.25</td> <td>± ---</td> </tr> <tr> <td>1 PLACE</td> <td>± ---</td> <td>± ---</td> </tr> </table> | | mm | INCH | 4 PLACES | ± --- | ± --- | 3 PLACES | ± --- | ± .010 | 2 PLACES | ± 0.25 | ± --- | 1 PLACE | ± --- | ± --- | DIMENSION STYLE IN/MM DRAWN BY: DJB DATE: 1991/10/21 CHECKED BY: DJB DATE: 1991/10/21 APPROVED BY: MLONG DATE: 2010/01/14 | SCALE NTS | DESIGN UNITS INCH | THIRD ANGLE PROJECTION | TITLE EARLY ENTRY R/A RECPT .120"PC TAIL W/O LOWER ROW PINSTOP-.100" GRID | MATERIAL NO. SDA-71973-**** | SHEET NO. 23 OF 26 |
|--|--------|--|--|--|--|--|--------------------|------|----------|---|-------|----------|-------|--------|----------|--------|-------|---------|-------|-------|--|---------------------|-----------------------------|------------------------|---|---------------------------------------|------------------------------|
| | mm | INCH | | | | | | | | | | | | | | | | | | | | | | | | | |
| 4 PLACES | ± --- | ± --- | | | | | | | | | | | | | | | | | | | | | | | | | |
| 3 PLACES | ± --- | ± .010 | | | | | | | | | | | | | | | | | | | | | | | | | |
| 2 PLACES | ± 0.25 | ± --- | | | | | | | | | | | | | | | | | | | | | | | | | |
| 1 PLACE | ± --- | ± --- | | | | | | | | | | | | | | | | | | | | | | | | | |
| DRAFT WHERE APPLICABLE MUST REMAIN WITHIN DIMENSIONS | | | | | SEE TABLE | | MOLEX INCORPORATED | | | THIS DRAWING CONTAINS INFORMATION THAT IS PROPRIETARY TO MOLEX INCORPORATED AND SHOULD NOT BE USED WITHOUT WRITTEN PERMISSION | | | | | | | | | | | | | | | | | |

| 10 | | 9 | | 8 | | 7 | | 6 | | 5 | | 4 | | 3 | | 2 | | 1 | |
|-------------|---------|-------|---|------------|------------|------------------|------------------|------------------|------------------|-------------|---------|-------|---|------------|------------|------------------|------------------|------------------|------------------|
| NO. OF CKTS | PER ROW | TOTAL | OPTION I ASSEMBLY PACKAGED IN TUBES PER PK-70873-0138 (SEE SHEET I FOR FINISH SPECIFICATIONS) | | | DIMENSION | | | | NO. OF CKTS | PER ROW | TOTAL | OPTION I ASSEMBLY PACKAGED IN TUBES PER PK-70873-0138 (SEE SHEET I FOR FINISH SPECIFICATIONS) | | | DIMENSION | | | |
| | | | 15 GOLD | 30 GOLD | 50 GOLD | A | B | C | D | | | | 15 GOLD | 30 GOLD | 50 GOLD | A | B | C | D |
| 4 | 8 | | 71973-9704 | 71973-9804 | 71973-9904 | .300 (7.62) | .395 (10.03) | .200 (5.08) | .658 (16.71) | 34 | 68 | | 71973-9734 | 71973-9834 | 71973-9934 | 3.300 (83.82) | 3.395 (86.23) | 3.200 (81.28) | 3.658 (92.91) |
| 5 | 10 | | 71973-9705 | 71973-9805 | 71973-9905 | .400 (10.16) | .495 (12.57) | .300 (7.62) | .758 (19.25) | 35 | 70 | | 71973-9735 | 71973-9835 | 71973-9935 | 3.400 (86.36) | 3.495 (88.77) | 3.300 (83.82) | 3.758 (95.45) |
| 6 | 12 | | 71973-9706 | 71973-9806 | 71973-9906 | .500 (12.70) | .595 (15.11) | .400 (10.16) | .858 (21.79) | 36 | 72 | | 71973-9736 | 71973-9836 | 71973-9936 | 3.500 (88.90) | 3.595 (91.31) | 3.400 (86.36) | 3.858 (97.99) |
| 7 | 14 | | 71973-9707 | 71973-9807 | 71973-9907 | .600 (15.24) | .695 (17.65) | .500 (12.70) | .958 (24.33) | | | | | | | | | | |
| 8 | 16 | | 71973-9708 | 71973-9808 | 71973-9908 | .700 (17.78) | .795 (20.19) | .600 (15.24) | 1.058 (26.87) | | | | | | | | | | |
| 9 | 18 | | 71973-9709 | 71973-9809 | 71973-9909 | .800 (20.32) | .895 (22.73) | .700 (17.78) | 1.158 (29.41) | | | | | | | | | | |
| 10 | 20 | | 71973-9710 | 71973-9810 | 71973-9910 | .900 (22.86) | .995 (25.27) | .800 (20.32) | 1.258 (31.95) | | | | | | | | | | |
| 11 | 22 | | 71973-9711 | 71973-9811 | 71973-9911 | 1.000 (25.40) | 1.095 (27.81) | .900 (22.86) | 1.358 (34.49) | | | | | | | | | | |
| 12 | 24 | | 71973-9712 | 71973-9812 | 71973-9912 | 1.100 (27.94) | 1.195 (30.35) | 1.000 (25.40) | 1.458 (37.03) | | | | | | | | | | |
| 13 | 26 | | 71973-9713 | 71973-9813 | 71973-9913 | 1.200 (30.48) | 1.295 (32.89) | 1.100 (27.94) | 1.558 (39.57) | | | | | | | | | | |
| 14 | 28 | | 71973-9714 | 71973-9814 | 71973-9914 | 1.300 (33.02) | 1.395 (35.43) | 1.200 (30.48) | 1.658 (42.11) | | | | | | | | | | |
| 15 | 30 | | 71973-9715 | 71973-9815 | 71973-9915 | 1.400 (35.56) | 1.495 (37.97) | 1.300 (33.02) | 1.758 (44.65) | | | | | | | | | | |
| 16 | 32 | | 71973-9716 | 71973-9816 | 71973-9916 | 1.500 (38.10) | 1.595 (40.51) | 1.400 (35.56) | 1.858 (47.19) | | | | | | | | | | |
| 17 | 34 | | 71973-9717 | 71973-9817 | 71973-9917 | 1.600 (40.64) | 1.695 (43.05) | 1.500 (38.10) | 1.958 (49.73) | | | | | | | | | | |
| 18 | 36 | | 71973-9718 | 71973-9818 | 71973-9918 | 1.700 (43.18) | 1.795 (45.59) | 1.600 (40.64) | 2.058 (52.27) | | | | | | | | | | |
| 19 | 38 | | 71973-9719 | 71973-9819 | 71973-9919 | 1.800 (45.72) | 1.895 (48.13) | 1.700 (43.18) | 2.158 (54.81) | | | | | | | | | | |
| 20 | 40 | | 71973-9720 | 71973-9820 | 71973-9920 | 1.900 (48.26) | 1.995 (50.67) | 1.800 (45.72) | 2.258 (57.35) | | | | | | | | | | |
| 21 | 42 | | 71973-9721 | 71973-9821 | 71973-9921 | 2.000 (50.80) | 2.095 (53.21) | 1.900 (48.26) | 2.358 (59.89) | | | | | | | | | | |
| 22 | 44 | | 71973-9722 | 71973-9822 | 71973-9922 | 2.100 (53.34) | 2.195 (55.75) | 2.000 (50.80) | 2.458 (62.43) | | | | | | | | | | |
| 23 | 46 | | 71973-9723 | 71973-9823 | 71973-9923 | 2.200 (55.88) | 2.295 (58.29) | 2.100 (53.34) | 2.558 (64.97) | | | | | | | | | | |
| 24 | 48 | | 71973-9724 | 71973-9824 | 71973-9924 | 2.300 (58.42) | 2.395 (60.83) | 2.200 (55.88) | 2.658 (67.51) | | | | | | | | | | |
| 25 | 50 | | 71973-9725 | 71973-9825 | 71973-9925 | 2.400 (60.96) | 2.495 (63.37) | 2.300 (58.42) | 2.758 (70.05) | | | | | | | | | | |
| 26 | 52 | | 71973-9726 | 71973-9826 | 71973-9926 | 2.500 (63.50) | 2.595 (65.91) | 2.400 (60.96) | 2.858 (72.59) | | | | | | | | | | |
| 27 | 54 | | 71973-9727 | 71973-9827 | 71973-9927 | 2.600 (66.04) | 2.695 (68.45) | 2.500 (63.50) | 2.958 (75.13) | | | | | | | | | | |
| 28 | 56 | | 71973-9728 | 71973-9828 | 71973-9928 | 2.700 (68.58) | 2.795 (70.99) | 2.600 (66.04) | 3.058 (77.67) | | | | | | | | | | |
| 29 | 58 | | 71973-9729 | 71973-9829 | 71973-9929 | 2.800 (71.12) | 2.895 (73.53) | 2.700 (68.58) | 3.158 (80.21) | | | | | | | | | | |
| 30 | 60 | | 71973-9730 | 71973-9830 | 71973-9930 | 2.900 (73.66) | 2.995 (76.07) | 2.800 (71.12) | 3.258 (82.75) | | | | | | | | | | |
| 31 | 62 | | 71973-9731 | 71973-9831 | 71973-9931 | 3.000 (76.20) | 3.095 (78.61) | 2.900 (73.66) | 3.358 (85.29) | | | | | | | | | | |
| 32 | 64 | | 71973-9732 | 71973-9832 | 71973-9932 | 3.100 (78.74) | 3.195 (81.15) | 3.000 (76.20) | 3.458 (87.83) | | | | | | | | | | |
| 33 | 66 | | 71973-9733 | 71973-9833 | 71973-9933 | 3.200 (81.28) | 3.295 (83.69) | 3.100 (78.74) | 3.558 (90.37) | | | | | | | | | | |

| | | | | | | | |
|---|---|--|--|--|--|---|---|
| ADD OPTION K & L EC NO: S2010-0534 DRWN:SKANG CHYD:ATSEE APPR:MLONG 2009/12/30 2010/01/08 2010/01/14 | QUALITY SYMBOLS $F_A=0$ $F_B=0$ $F_P=0$ | GENERAL TOLERANCES (UNLESS SPECIFIED) mm INCH 4 PLACES ± --- ± --- 3 PLACES ± --- ± .010 2 PLACES ± 0.25 ± --- 1 PLACE ± --- ± --- ANGULAR ± 1/2° | DIMENSION STYLE IN/MM DRAWN BY: DJB DATE: 1991/10/21 CHECKED BY: DJB DATE: 1991/10/21 APPROVED BY: MLONG DATE: 2010/01/14 | SCALE NTS DESIGN UNITS INCH THIRD ANGLE PROJECTION | TITLE EARLY ENTRY R/A RECPT .120"PC TAIL W/O LOWER ROW PINSTOP-.100" GRID MOLEX INCORPORATED | MATERIAL NO. SEE TABLE SIZE A3 | DOCUMENT NO. SDA-71973-**** SHEET NO. 24 OF 26 |
| | DRAFT WHERE APPLICABLE MUST REMAIN WITHIN DIMENSIONS THIS DRAWING CONTAINS INFORMATION THAT IS PROPRIETARY TO MOLEX INCORPORATED AND SHOULD NOT BE USED WITHOUT WRITTEN PERMISSION | | | | | | |
| | *X INDICATES TOOLING IS NOT AVAILABLE | | | | | | |
| | *X INDICATES TOOLING IS NOT AVAILABLE | | | | | | |

| NO. OF CKTS | | OPTION K ASSEMBLY PACKAGED IN TUBES PER PK-70873-0138 (SEE SHEET I FOR FINISH SPECIFICATIONS) | | | | | DIMENSION | | | | NO. OF CKTS | | OPTION K ASSEMBLY PACKAGED IN TUBES PER PK-70873-0138 (SEE SHEET I FOR FINISH SPECIFICATIONS) | | | | | DIMENSION | | | | |
|-------------|-------|---|--|------------|------------|------------|------------------|------------------|--|--|-------------|-------|---|--|------------|------------|------------|------------------|------------------|--|--|--|
| PER ROW | TOTAL | 15 GOLD | | | 30 GOLD | 50 GOLD | A | B | | | PER ROW | TOTAL | 15 GOLD | | | 30 GOLD | 50 GOLD | A | B | | | |
| 4 | 8 | | | 71973-6204 | 71973-6304 | 71973-6404 | .300 (7.62) | .395 (10.03) | | | 32 | 64 | | | | | | 3.100 (78.74) | 3.195 (81.15) | | | |
| 5 | 10 | | | 71973-6205 | 71973-6305 | 71973-6405 | .400 (10.16) | .495 (12.57) | | | 33 | 66 | | | 71973-6232 | 71973-6332 | 71973-6432 | 3.200 (81.28) | 3.295 (83.69) | | | |
| 6 | 12 | | | 71973-6206 | 71973-6306 | 71973-6406 | .500 (12.70) | .595 (15.11) | | | 34 | 68 | | | 71973-6233 | 71973-6333 | 71973-6433 | 3.300 (83.82) | 3.395 (86.23) | | | |
| 7 | 14 | | | 71973-6207 | 71973-6307 | 71973-6407 | .600 (15.24) | .695 (17.65) | | | 35 | 70 | | | 71973-6234 | 71973-6334 | 71973-6434 | 3.400 (86.36) | 3.495 (88.77) | | | |
| 8 | 16 | | | 71973-6208 | 71973-6308 | 71973-6408 | .700 (17.78) | .795 (20.19) | | | 36 | 72 | | | 71973-6235 | 71973-6335 | 71973-6435 | 3.500 (88.90) | 3.595 (91.31) | | | |
| 9 | 18 | | | 71973-6209 | 71973-6309 | 71973-6409 | .800 (20.32) | .895 (22.73) | | | | | | | | | | | | | | |
| 10 | 20 | | | 71973-6210 | 71973-6310 | 71973-6410 | .900 (22.86) | .995 (25.27) | | | | | | | | | | | | | | |
| 11 | 22 | | | 71973-6211 | 71973-6311 | 71973-6411 | 1.000 (25.40) | 1.095 (27.81) | | | | | | | | | | | | | | |
| 12 | 24 | | | 71973-6212 | 71973-6312 | 71973-6412 | 1.100 (27.94) | 1.195 (30.35) | | | | | | | | | | | | | | |
| 13 | 26 | | | 71973-6213 | 71973-6313 | 71973-6413 | 1.200 (30.48) | 1.295 (32.89) | | | | | | | | | | | | | | |
| 14 | 28 | | | 71973-6214 | 71973-6314 | 71973-6414 | 1.300 (33.02) | 1.395 (35.43) | | | | | | | | | | | | | | |
| 15 | 30 | | | 71973-6215 | 71973-6315 | 71973-6415 | 1.400 (35.56) | 1.495 (37.97) | | | | | | | | | | | | | | |
| 16 | 32 | | | 71973-6216 | 71973-6316 | 71973-6416 | 1.500 (38.10) | 1.595 (40.51) | | | | | | | | | | | | | | |
| 17 | 34 | | | 71973-6217 | 71973-6317 | 71973-6417 | 1.600 (40.64) | 1.695 (43.05) | | | | | | | | | | | | | | |
| 18 | 36 | | | 71973-6218 | 71973-6318 | 71973-6418 | 1.700 (43.18) | 1.795 (45.59) | | | | | | | | | | | | | | |
| 19 | 38 | | | 71973-6219 | 71973-6319 | 71973-6419 | 1.800 (45.72) | 1.895 (48.13) | | | | | | | | | | | | | | |
| 20 | 40 | | | 71973-6220 | 71973-6320 | 71973-6420 | 1.900 (48.26) | 1.995 (50.67) | | | | | | | | | | | | | | |
| 21 | 42 | | | 71973-6221 | 71973-6321 | 71973-6421 | 2.000 (50.80) | 2.095 (53.21) | | | | | | | | | | | | | | |
| 22 | 44 | | | 71973-6222 | 71973-6322 | 71973-6422 | 2.100 (53.34) | 2.195 (55.75) | | | | | | | | | | | | | | |
| 23 | 46 | | | 71973-6223 | 71973-6323 | 71973-6423 | 2.200 (55.88) | 2.295 (58.29) | | | | | | | | | | | | | | |
| 24 | 48 | | | 71973-6224 | 71973-6324 | 71973-6424 | 2.300 (58.42) | 2.395 (60.83) | | | | | | | | | | | | | | |
| 25 | 50 | | | 71973-6225 | 71973-6325 | 71973-6425 | 2.400 (60.96) | 2.495 (63.37) | | | | | | | | | | | | | | |
| 26 | 52 | | | 71973-6226 | 71973-6326 | 71973-6426 | 2.500 (63.50) | 2.595 (65.91) | | | | | | | | | | | | | | |
| 27 | 54 | | | 71973-6227 | 71973-6327 | 71973-6427 | 2.600 (66.04) | 2.695 (68.45) | | | | | | | | | | | | | | |
| 28 | 56 | | | 71973-6228 | 71973-6328 | 71973-6428 | 2.700 (68.58) | 2.795 (70.99) | | | | | | | | | | | | | | |
| 29 | 58 | | | 71973-6229 | 71973-6329 | 71973-6429 | 2.800 (71.12) | 2.895 (73.53) | | | | | | | | | | | | | | |
| 30 | 60 | | | 71973-6230 | 71973-6330 | 71973-6430 | 2.900 (73.66) | 2.995 (76.07) | | | | | | | | | | | | | | |
| 31 | 62 | | | 71973-6231 | 71973-6331 | 71973-6431 | 3.000 (76.20) | 3.095 (78.61) | | | | | | | | | | | | | | |

X INDICATES TOOLING IS NOT AVAILABLE

| | |
|-------------------|-----------------|
| ADD OPTION K & L | QUALITY SYMBOLS |
| EC NO: S2010-0534 | $F_A=0$ |
| DRWN:SKANG | $F_B=0$ |
| CHKD:ATSEE | $F_C=0$ |
| APPR:MLONG | $F_D=0$ |
| 2009/12/30 | |
| 2010/01/08 | |
| 2010/01/14 | |
| DESCRIPTION | |
| REV | |

| | | | | |
|--|-----------------|---|----------------|------------------------|
| GENERAL TOLERANCES (UNLESS SPECIFIED) | DIMENSION STYLE | SCALE | DESIGN UNITS | THIRD ANGLE PROJECTION |
| | IN/MM | NTS | INCH | |
| 4 PLACES | mm INCH | DRAWN BY | DATE | TITLE |
| 3 PLACES | ± --- ± --- | DJB | 1991/10/21 | EARLY ENTRY R/A RECPT |
| 2 PLACES | ± --- ± .010 | CHECKED BY | DATE | .120"PC TAIL W/O LOWER |
| 1 PLACE | ± 0.25 ± --- | DJB | 1991/10/21 | ROW PINSTOP-.100" GRID |
| ANGULAR | ± 1/2° | APPROVED BY | DATE | MOLEX INCORPORATED |
| | | MLONG | 2010/01/14 | |
| DRAFT WHERE APPLICABLE MUST REMAIN WITHIN DIMENSIONS | SEE TABLE | MATERIAL NO. | DOCUMENT NO. | SHEET NO. |
| | | | SDA-71973-**** | 25 OF 26 |
| | SIZE A3 | THIS DRAWING CONTAINS INFORMATION THAT IS PROPRIETARY TO MOLEX INCORPORATED AND SHOULD NOT BE USED WITHOUT WRITTEN PERMISSION | | |

| NO. OF CKTS | | OPTION L ASSEMBLY PACKAGED IN TUBES PER PK-70873-0138 (SEE SHEET 1 FOR FINISH SPECIFICATIONS) | | | | | DIMENSION | | | NO. OF CKTS | | OPTION L ASSEMBLY PACKAGED IN TUBES PER PK-70873-0138 (SEE SHEET 1 FOR FINISH SPECIFICATIONS) | | | | | DIMENSION | | | |
|-------------|-------|---|--|------------|------------|------------|------------------|------------------|--|-------------|---------|---|---------|--|------------|------------|------------|------------------|------------------|--|
| PER ROW | TOTAL | 15 GOLD | | | 30 GOLD | 50 GOLD | A | B | | | PER ROW | TOTAL | 15 GOLD | | | 30 GOLD | 50 GOLD | A | B | |
| 4 | 8 | | | 71973-5404 | 71973-5504 | 71973-5604 | .300 (7.62) | .395 (10.03) | | | 31 | 62 | | | 71973-5431 | 71973-5531 | 71973-5631 | 3.000 (76.20) | 3.095 (78.61) | |
| 5 | 10 | | | 71973-5405 | 71973-5505 | 71973-5605 | .400 (10.16) | .495 (12.57) | | | 32 | 64 | | | 71973-5432 | 71973-5532 | 71973-5632 | 3.100 (78.74) | 3.195 (81.15) | |
| 6 | 12 | | | 71973-5406 | 71973-5506 | 71973-5606 | .500 (12.70) | .595 (15.11) | | | 33 | 66 | | | 71973-5433 | 71973-5533 | 71973-5633 | 3.200 (81.28) | 3.295 (83.69) | |
| 7 | 14 | | | 71973-5407 | 71973-5507 | 71973-5607 | .600 (15.24) | .695 (17.65) | | | 34 | 68 | | | 71973-5434 | 71973-5534 | 71973-5634 | 3.300 (83.82) | 3.395 (86.23) | |
| 8 | 16 | | | 71973-5408 | 71973-5508 | 71973-5608 | .700 (17.78) | .795 (20.19) | | | 35 | 70 | | | 71973-5435 | 71973-5535 | 71973-5635 | 3.400 (86.36) | 3.495 (88.77) | |
| 9 | 18 | | | 71973-5409 | 71973-5509 | 71973-5609 | .800 (20.32) | .895 (22.73) | | | 36 | 72 | | | 71973-5436 | 71973-5536 | 71973-5636 | 3.500 (88.90) | 3.595 (91.31) | |
| 10 | 20 | | | 71973-5410 | 71973-5510 | 71973-5610 | .900 (22.86) | .995 (25.27) | | | | | | | | | | | | |
| 11 | 22 | | | 71973-5411 | 71973-5511 | 71973-5611 | 1.000 (25.40) | 1.095 (27.81) | | | | | | | | | | | | |
| 12 | 24 | | | 71973-5412 | 71973-5512 | 71973-5612 | 1.100 (27.94) | 1.195 (30.35) | | | | | | | | | | | | |
| 13 | 26 | | | 71973-5413 | 71973-5513 | 71973-5613 | 1.200 (30.48) | 1.295 (32.89) | | | | | | | | | | | | |
| 14 | 28 | | | 71973-5414 | 71973-5514 | 71973-5614 | 1.300 (33.02) | 1.395 (35.43) | | | | | | | | | | | | |
| 15 | 30 | | | 71973-5415 | 71973-5515 | 71973-5615 | 1.400 (35.56) | 1.495 (37.97) | | | | | | | | | | | | |
| 16 | 32 | | | 71973-5416 | 71973-5516 | 71973-5616 | 1.500 (38.10) | 1.595 (40.51) | | | | | | | | | | | | |
| 17 | 34 | | | 71973-5417 | 71973-5517 | 71973-5617 | 1.600 (40.64) | 1.695 (43.05) | | | | | | | | | | | | |
| 18 | 36 | | | 71973-5418 | 71973-5518 | 71973-5618 | 1.700 (43.18) | 1.795 (45.59) | | | | | | | | | | | | |
| 19 | 38 | | | 71973-5419 | 71973-5519 | 71973-5619 | 1.800 (45.72) | 1.895 (48.13) | | | | | | | | | | | | |
| 20 | 40 | | | 71973-5420 | 71973-5520 | 71973-5620 | 1.900 (48.26) | 1.995 (50.67) | | | | | | | | | | | | |
| 21 | 42 | | | 71973-5421 | 71973-5521 | 71973-5621 | 2.000 (50.80) | 2.095 (53.21) | | | | | | | | | | | | |
| 22 | 44 | | | 71973-5422 | 71973-5522 | 71973-5622 | 2.100 (53.34) | 2.195 (55.75) | | | | | | | | | | | | |
| 23 | 46 | | | 71973-5423 | 71973-5523 | 71973-5623 | 2.200 (55.88) | 2.295 (58.29) | | | | | | | | | | | | |
| 24 | 48 | | | 71973-5424 | 71973-5524 | 71973-5624 | 2.300 (58.42) | 2.395 (60.83) | | | | | | | | | | | | |
| 25 | 50 | | | 71973-5425 | 71973-5525 | 71973-5625 | 2.400 (60.96) | 2.495 (63.37) | | | | | | | | | | | | |
| 26 | 52 | | | 71973-5426 | 71973-5526 | 71973-5626 | 2.500 (63.50) | 2.595 (65.91) | | | | | | | | | | | | |
| 27 | 54 | | | 71973-5427 | 71973-5527 | 71973-5627 | 2.600 (66.04) | 2.695 (68.45) | | | | | | | | | | | | |
| 28 | 56 | | | 71973-5428 | 71973-5528 | 71973-5628 | 2.700 (68.58) | 2.795 (70.99) | | | | | | | | | | | | |
| 29 | 58 | | | 71973-5429 | 71973-5529 | 71973-5629 | 2.800 (71.12) | 2.895 (73.53) | | | | | | | | | | | | |
| 30 | 60 | | | 71973-5430 | 71973-5530 | 71973-5630 | 2.900 (73.66) | 2.995 (76.07) | | | | | | | | | | | | |

| | | | | | | | |
|---|--|---|--|---|--------------|------------------------|---|
| "X" INDICATES TOOLING IS NOT AVAILABLE ADD OPTION K & L EC NO: S2010-0534 DRWN:SKANG 2009/12/30 CHYD:ATSEE 2010/01/08 APPR:MLONG 2010/01/14 K | QUALITY SYMBOLS | GENERAL TOLERANCES (UNLESS SPECIFIED) | DIMENSION STYLE | SCALE | DESIGN UNITS | THIRD ANGLE PROJECTION | EARLY ENTRY R/A RECPT .120"PC TAIL W/O LOWER ROW PINSTOP-.100" GRID MOLEX INCORPORATED SDA-71973-**** SHEET NO. 26 OF 26 |
| | $F_A = 0$ $F_C = 0$ $F_P = 0$ | mm INCH 4 PLACES ± --- ± --- 3 PLACES ± --- ± .010 2 PLACES ± 0.25 ± --- 1 PLACE ± --- ± --- ANGULAR ± 1/2° | DRAWN BY DATE DJB 1991/10/21 CHECKED BY DATE DJB 1991/10/21 APPROVED BY DATE MLONG 2010/01/14 | IN/MM NTS | INCH | | |
| | DRAFT WHERE APPLICABLE MUST REMAIN WITHIN DIMENSIONS | SEE TABLE | MATERIAL NO. DOCUMENT NO. | THIS DRAWING CONTAINS INFORMATION THAT IS PROPRIETARY TO MOLEX INCORPORATED AND SHOULD NOT BE USED WITHOUT WRITTEN PERMISSION | | | |
| | | | | | | | |

| NO. OF CKTS | | OPTION B ASSEMBLY PACKAGED IN TUBES PER PK-70873-0139 (SEE SHEET I FOR PLATING SPECIFICATIONS) | | | | | DIMENSION | | | NO. OF CKTS | | OPTION B ASSEMBLY PACKAGED IN TUBES PER PK-70873-0139 (SEE SHEET I FOR PLATING SPECIFICATIONS) | | | | | DIMENSION | | |
|-------------|-------|--|------------|------------|------------|------------------|------------------|------------------|---------|-------------|------------------------|--|------------|------------|------------------|------------------|------------------|--|--|
| PER ROW | TOTAL | OPT. J ASSY 15 GOLD | 15 GOLD | 30 GOLD | 50 GOLD | A | B | D | PER ROW | TOTAL | OPT. J ASSY 15 GOLD | 15 GOLD | 30 GOLD | 50 GOLD | A | B | D | | |
| 4 | 8 | | 71973-1004 | 71973-1104 | 71973-1204 | .300 (7.62) | .395 (10.03) | .658 (16.71) | 34 | 68 | | 71973-1034 | 71973-1134 | 71973-1234 | 3.300 (83.82) | 3.395 (86.23) | 3.658 (92.91) | | |
| 5 | 10 | | 71973-1005 | 71973-1105 | 71973-1205 | .400 (10.16) | .495 (12.57) | .758 (19.25) | 35 | 70 | | 71973-1035 | 71973-1135 | 71973-1235 | 3.400 (86.36) | 3.495 (88.77) | 3.758 (95.45) | | |
| 6 | 12 | | 71973-1006 | 71973-1106 | 71973-1206 | .500 (12.70) | .595 (15.11) | .858 (21.79) | 36 | 72 | | 71973-1036 | 71973-1136 | 71973-1236 | 3.500 (88.90) | 3.595 (91.31) | 3.858 (97.99) | | |
| 7 | 14 | | 71973-1007 | 71973-1107 | 71973-1207 | .600 (15.24) | .695 (17.65) | .958 (24.33) | | | | | | | | | | | |
| 8 | 16 | | 71973-1008 | 71973-1108 | 71973-1208 | .700 (17.78) | .795 (20.19) | 1.058 (26.87) | | | | | | | | | | | |
| 9 | 18 | | 71973-1009 | 71973-1109 | 71973-1209 | .800 (20.32) | .895 (22.73) | 1.158 (29.41) | | | | | | | | | | | |
| 10 | 20 | | 71973-1010 | 71973-1110 | 71973-1210 | .900 (22.86) | .995 (25.27) | 1.258 (31.95) | | | | | | | | | | | |
| 11 | 22 | | 71973-1011 | 71973-1111 | 71973-1211 | 1.000 (25.40) | 1.095 (27.81) | 1.358 (34.49) | | | | | | | | | | | |
| 12 | 24 | | 71973-1012 | 71973-1112 | 71973-1212 | 1.100 (27.94) | 1.195 (30.35) | 1.458 (37.03) | | | | | | | | | | | |
| 13 | 26 | | 71973-1013 | 71973-1113 | 71973-1213 | 1.200 (30.48) | 1.295 (32.89) | 1.558 (39.57) | | | | | | | | | | | |
| 14 | 28 | | 71973-1014 | 71973-1114 | 71973-1214 | 1.300 (33.02) | 1.395 (35.43) | 1.658 (42.11) | | | | | | | | | | | |
| 15 | 30 | 71973-1315 | 71973-1015 | 71973-1115 | 71973-1215 | 1.400 (35.56) | 1.495 (37.97) | 1.758 (44.65) | | | | | | | | | | | |
| 16 | 32 | | 71973-1016 | 71973-1116 | 71973-1216 | 1.500 (38.10) | 1.595 (40.51) | 1.858 (47.19) | | | | | | | | | | | |
| 17 | 34 | | 71973-1017 | 71973-1117 | 71973-1217 | 1.600 (40.64) | 1.695 (43.05) | 1.958 (49.73) | | | | | | | | | | | |
| 18 | 36 | | 71973-1018 | 71973-1118 | 71973-1218 | 1.700 (43.18) | 1.795 (45.59) | 2.058 (52.27) | | | | | | | | | | | |
| 19 | 38 | | 71973-1019 | 71973-1119 | 71973-1219 | 1.800 (45.72) | 1.895 (48.13) | 2.158 (54.81) | | | | | | | | | | | |
| 20 | 40 | 71973-1320 | 71973-1020 | 71973-1120 | 71973-1220 | 1.900 (48.26) | 1.995 (50.67) | 2.258 (57.35) | | | | | | | | | | | |
| 21 | 42 | | 71973-1021 | 71973-1121 | 71973-1221 | 2.000 (50.80) | 2.095 (53.21) | 2.358 (59.89) | | | | | | | | | | | |
| 22 | 44 | | 71973-1022 | 71973-1122 | 71973-1222 | 2.100 (53.34) | 2.195 (55.75) | 2.458 (62.43) | | | | | | | | | | | |
| 23 | 46 | | 71973-1023 | 71973-1123 | 71973-1223 | 2.200 (55.88) | 2.295 (58.29) | 2.558 (64.97) | | | | | | | | | | | |
| 24 | 48 | | 71973-1024 | 71973-1124 | 71973-1224 | 2.300 (58.42) | 2.395 (60.83) | 2.658 (67.51) | | | | | | | | | | | |
| 25 | 50 | | 71973-1025 | 71973-1125 | 71973-1225 | 2.400 (60.96) | 2.495 (63.37) | 2.758 (70.05) | | | | | | | | | | | |
| 26 | 52 | | 71973-1026 | 71973-1126 | 71973-1226 | 2.500 (63.50) | 2.595 (65.91) | 2.858 (72.59) | | | | | | | | | | | |
| 27 | 54 | | 71973-1027 | 71973-1127 | 71973-1227 | 2.600 (66.04) | 2.695 (68.45) | 2.958 (75.13) | | | | | | | | | | | |
| 28 | 56 | | 71973-1028 | 71973-1128 | 71973-1228 | 2.700 (68.58) | 2.795 (70.99) | 3.058 (77.67) | | | | | | | | | | | |
| 29 | 58 | | 71973-1029 | 71973-1129 | 71973-1229 | 2.800 (71.12) | 2.895 (73.53) | 3.158 (80.21) | | | | | | | | | | | |
| 30 | 60 | | 71973-1030 | 71973-1130 | 71973-1230 | 2.900 (73.66) | 2.995 (76.07) | 3.258 (82.75) | | | | | | | | | | | |
| 31 | 62 | | 71973-1031 | 71973-1131 | 71973-1231 | 3.000 (76.20) | 3.095 (78.61) | 3.358 (85.29) | | | | | | | | | | | |
| 32 | 64 | | 71973-1032 | 71973-1132 | 71973-1232 | 3.100 (78.74) | 3.195 (81.15) | 3.458 (87.83) | | | | | | | | | | | |
| 33 | 66 | | 71973-1033 | 71973-1133 | 71973-1233 | 3.200 (81.28) | 3.295 (83.69) | 3.558 (90.37) | | | | | | | | | | | |

OPTION 'J' IS THE SAME AS 'B' EXCEPT DATE CODE IS NOT STAMPED ON HOUSING.

X INDICATES TOOLING IS NOT AVAILABLE

REMOVE 74-130 CKT
EC NO: UCP2007-0113
DRAWN: JORGAN 2006/08/07
CHKD: MS BARA 2006/08/16
APPR: SMILLER 2006/08/18

QUALITY SYMBOLS
▽=0
▽=0

GENERAL TOLERANCES (UNLESS SPECIFIED)
mm INCH
4 PLACES ± --- ± ---
3 PLACES ± --- ± ---
2 PLACES ± --- ± ---
1 PLACE ± --- ± ---
ANGULAR ±1/2°
DRAFT WHERE APPLICABLE MUST REMAIN WITHIN DIMENSIONS

DIMENSION STYLE IN/MM
DRAWN BY DATE
DJB 1991/10/21
CHECKED BY DATE
APPROVED BY DATE
MATERIAL NO.
SIZE C

SCALE ---
DESIGN UNITS INCH
THIRD ANGLE PROJECTION
TITLE RECEPTACLE-RIGHT ANGLE .120 PC TAIL, NO PINSTOP .100/(2.54) GRID
MOLEX INCORPORATED
DOCUMENT NO. SDA-71973-****
SHEET NO. 7 OF 22
THIS DRAWING CONTAINS INFORMATION THAT IS PROPRIETARY TO MOLEX INCORPORATED AND SHOULD NOT BE USED WITHOUT WRITTEN PERMISSION

