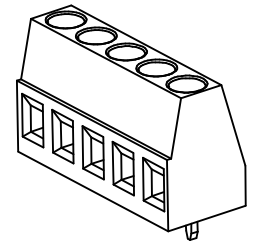
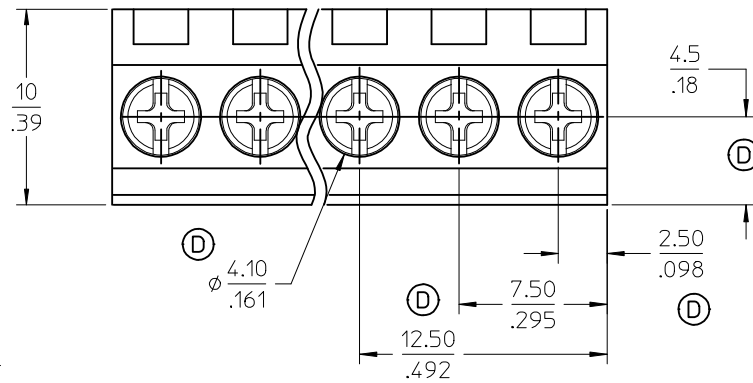


PCB LAYOUT



SPECIFICATIONS:

1. Material:

- A. Screw: M3, Steel Zinc plated
- B. Body: PA66, UL94 V-0
- C. Cage: Brass, Nickel plated
- D. Terminal: Brass, Tin Plated
- E. Cover: PA66, UL94 V-0

2. Wire range: 30 - 12AWG

3. Electrical rating: 300V, 15A

4. Max Torque: 4 in-lbs.

5. Wire strip length: .20IN. (5.00mm)

6. Insulation resistance: DC500V, 500M $\Omega$

7. Operating temperature: -40°C to +105°C

8. Max solder temp: 260°C (500°F) for 5 seconds

9.  $A = N \times P$

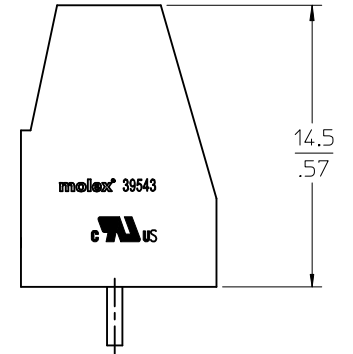
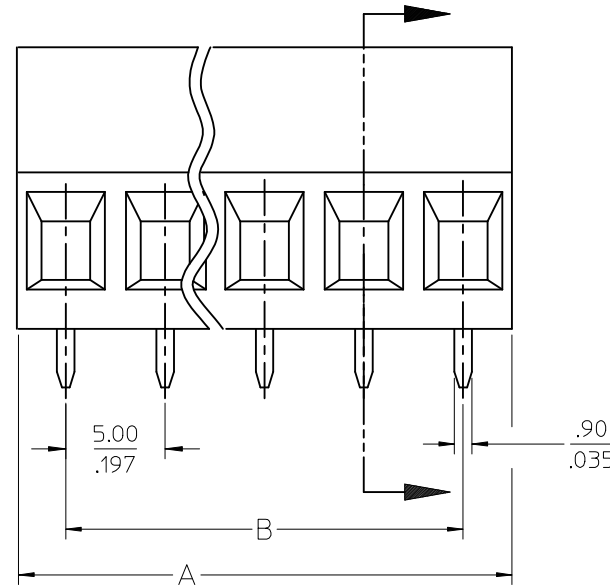
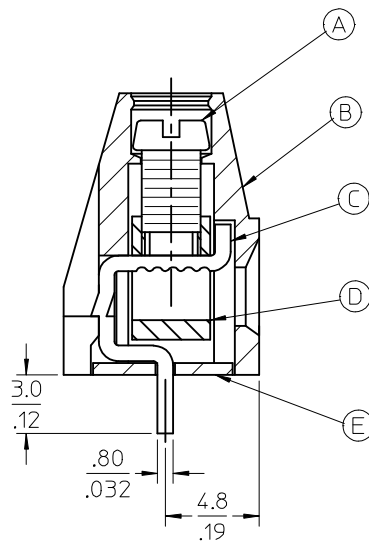
10.  $B = (N - 1) \times P$

11.  $P = (\text{Pitch}) = 5.00\text{mm} (.197")$

12.  $N = \text{Number of positions available 2 through 24}$

13. Dims shown are for reference only

14. All components are to be RoHS compliant



ADD DIMS. PER CUST REQ'ST EC NO: IPG2015-0858 DR: WAHSTONE 2014/11/05 CHKD: B ARDEN 2014/11/10 APPR: J MURPHY 2015/04/22	QUALITY SYMBOLS ▽=0 ▽=0	GENERAL TOLERANCES (UNLESS SPECIFIED)		DIMENSION STYLE MM/IN	SCALE 4:1	DESIGN UNITS INCH	THIRD ANGLE PROJECTION	
		4 PLACES ± --- ± ---	mm INCH	DRAWN BY DATE LROTHAUS 12/6/05	TITLE 5.0MM, EURO TERM BLOCK VERTICAL, PC MOUNT STAMPED TERMINAL			
		3 PLACES ± --- ± .005		CHECKED BY DATE C. YORK 01/06/06	Molex MOLEX INCORPORATED			
		2 PLACES ± 0.13 ± .01 1 PLACE ± 0.3 ± ---		APPROVED BY DATE	MATERIAL NO. SEE CHART	DOCUMENT NO. SD-39543-005	SHEET NO. 1 OF 2	THIS DRAWING CONTAINS INFORMATION THAT IS PROPRIETARY TO MOLEX INCORPORATED AND SHOULD NOT BE USED WITHOUT WRITTEN PERMISSION
DRAFT WHERE APPLICABLE MUST REMAIN WITHIN DIMENSIONS		ANGULAR ± 2 °						

Description	Circuit size	Material Numbers						Dimensional Information			
		Black			Green			Dim. A		Dim B	
		100% Tin			100% Tin						
		Printing Options			Printing Options						
None	10A	11A	None	10A	11A	mm	inch	mm	inch		
5.0mm, Euro Block, PC Mount, Vertical	2	395433002	395435002	395437002	395933002	395935002	395937002	10.00	0.394	5.00	0.197
5.0mm, Euro Block, PC Mount, Vertical	3	395433003	395435003	395437003	395933003	395935003	395937003	15.00	0.591	10.00	0.394
5.0mm, Euro Block, PC Mount, Vertical	4	395433004	395435004	395437004	395933004	395935004	395937004	20.00	0.787	15.00	0.591
5.0mm, Euro Block, PC Mount, Vertical	5	395433005	395435005	395437005	395933005	395935005	395937005	25.00	0.984	20.00	0.787
5.0mm, Euro Block, PC Mount, Vertical	6	395433006	395435006	395437006	395933006	395935006	395937006	30.00	1.181	25.00	0.984
5.0mm, Euro Block, PC Mount, Vertical	7	395433007	395435007	395437007	395933007	395935007	395937007	35.00	1.378	30.00	1.181
5.0mm, Euro Block, PC Mount, Vertical	8	395433008	395435008	395437008	395933008	395935008	395937008	40.00	1.575	35.00	1.378
5.0mm, Euro Block, PC Mount, Vertical	9	395433009	395435009	395437009	395933009	395935009	395937009	45.00	1.772	40.00	1.575
5.0mm, Euro Block, PC Mount, Vertical	10	395433010	395435010	395437010	395933010	395935010	395937010	50.00	1.969	45.00	1.772
5.0mm, Euro Block, PC Mount, Vertical	11	395433011	395435011	395437011	395933011	395935011	395937011	55.00	2.165	50.00	1.969
5.0mm, Euro Block, PC Mount, Vertical	12	395433012	395435012	395437012	395933012	395935012	395937012	60.00	2.362	55.00	2.165
5.0mm, Euro Block, PC Mount, Vertical	13	395433013	395435013	395437013	395933013	395935013	395937013	65.00	2.559	60.00	2.362
5.0mm, Euro Block, PC Mount, Vertical	14	395433014	395435014	395437014	395933014	395935014	395937014	70.00	2.756	65.00	2.559
5.0mm, Euro Block, PC Mount, Vertical	15	395433015	395435015	395437015	395933015	395935015	395937015	75.00	2.953	70.00	2.756
5.0mm, Euro Block, PC Mount, Vertical	16	395433016	395435016	395437016	395933016	395935016	395937016	80.00	3.150	75.00	2.953
5.0mm, Euro Block, PC Mount, Vertical	17	395433017	395435017	395437017	395933017	395935017	395937017	85.00	3.346	80.00	3.150
5.0mm, Euro Block, PC Mount, Vertical	18	395433018	395435018	395437018	395933018	395935018	395937018	90.00	3.543	85.00	3.346
5.0mm, Euro Block, PC Mount, Vertical	19	395433019	395435019	395437019	395933019	395935019	395937019	95.00	3.740	90.00	3.543
5.0mm, Euro Block, PC Mount, Vertical	20	395433020	395435020	395437020	395933020	395935020	395937020	100.00	3.937	95.00	3.740
5.0mm, Euro Block, PC Mount, Vertical	21	395433021	395435021	395437021	395933021	395935021	395937021	105.00	4.134	100.00	3.937
5.0mm, Euro Block, PC Mount, Vertical	22	395433022	395435022	395437022	395933022	395935022	395937022	110.00	4.331	105.00	4.134
5.0mm, Euro Block, PC Mount, Vertical	23	395433023	395435023	395437023	395933023	395935023	395937023	115.00	4.528	110.00	4.331
5.0mm, Euro Block, PC Mount, Vertical	24	395433024	395435024	395437024	395933024	395935024	395937024	120.00	4.724	115.00	4.528

SEE SHEET 1 EC NO: IPG2015-0858 D DRAINERSTONE 2014/11/05 CHKDB ARDEN 2014/11/10 APPR: JFURPHY 2015/04/22 REV DESCRIPTION	QUALITY SYMBOLS	GENERAL TOLERANCES (UNLESS SPECIFIED)	DIMENSION STYLE	SCALE	DESIGN UNITS	THIRD ANGLE PROJECTION
	$\nabla=0$ $\nabla=0$	mm INCH 4 PLACES ± --- ± --- 3 PLACES ± --- ± .005 2 PLACES ± 0.13 ± .01 1 PLACE ± 0.3 ± --- 0 PLACE ± ±	MM/IN	1:1	INCH	DRAWN BY DATE LROTHAUS 12/6/05 CHECKED BY DATE C. YORK 01/06/06 APPROVED BY DATE
	ANGULAR ± 2 ° DRAFT WHERE APPLICABLE MUST REMAIN WITHIN DIMENSIONS	MATERIAL NO.	DOCUMENT NO.	TITLE 5.0MM, EURO TERM BLOCK VERTICAL, PC MOUNT STAMPED TERMINAL		
	SEE SHEET 1 SIZE B	SD-39543-005	SD-39543-005	SHEET NO. 2 OF 2		

THIS DRAWING CONTAINS INFORMATION THAT IS PROPRIETARY TO MOLEX INCORPORATED AND SHOULD NOT BE USED WITHOUT WRITTEN PERMISSION