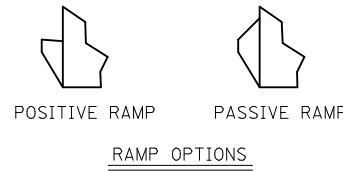
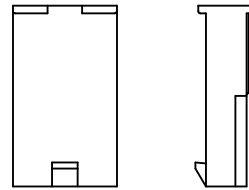
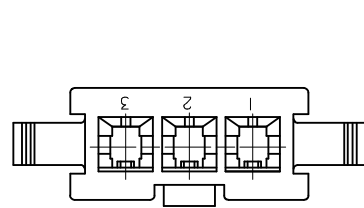
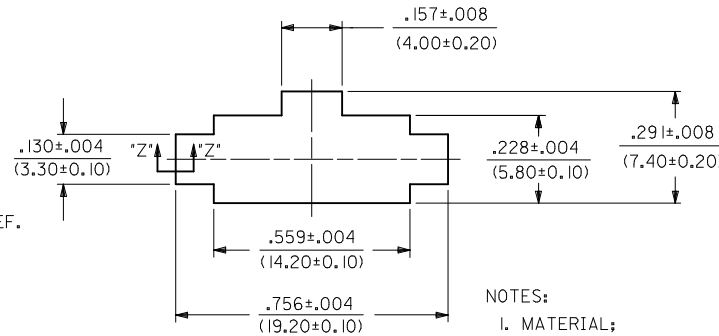
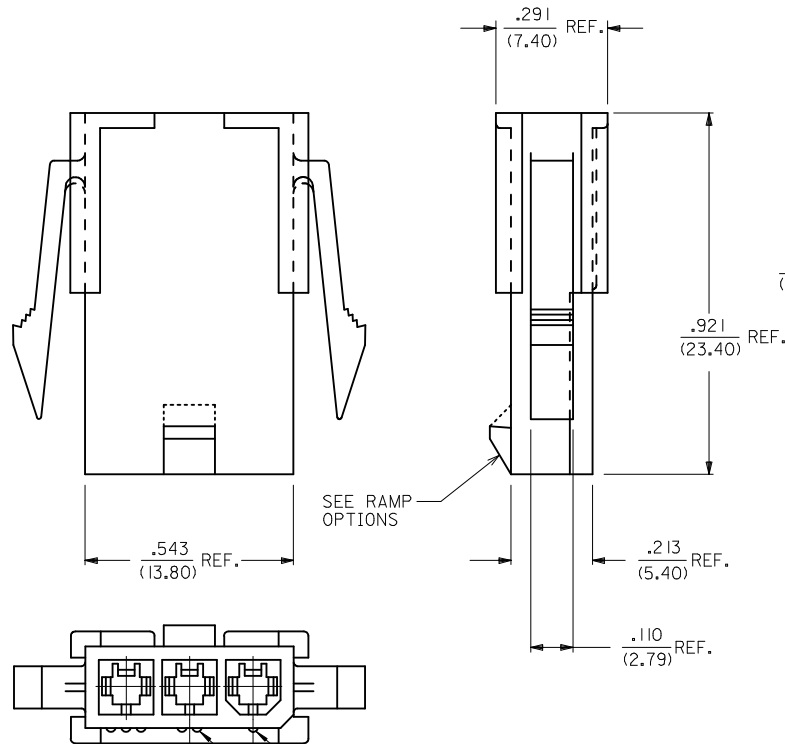


PART NO.	ENG. NO.	CKT. NO.	MOUNT OPTION	MAT'L.	RAMP OPTION
39-01-4032	5559-03P2	3	2	BLANK	POSITIVE
39-01-4033	5559-03P2-210	3	2	210	POSITIVE
46999-0291	5559-03P2-400	3	2	400	POSITIVE
39-01-4036	5559-03P3	3	3	BLANK	POSITIVE
39-01-4037	5559-03P3-210	3	3	210	POSITIVE
46999-0290	5559-03P3-400	3	3	400	POSITIVE
39-01-6030	5559-03P2-BL	3	2	BL	POSITIVE
39-01-6031	5559-03P3-BL	3	3	BL	POSITIVE
50-29-0088	5559-03P4	3	4	BLANK	PASSIVE
50-29-0089	5559-03P5	3	5	BLANK	PASSIVE
50-29-0091	5559-03P4-210	3	4	210	PASSIVE
50-29-0093	5559-03P4-BL	3	4	BL	PASSIVE
50-29-0094	5559-03P5-BL	3	5	BL	PASSIVE



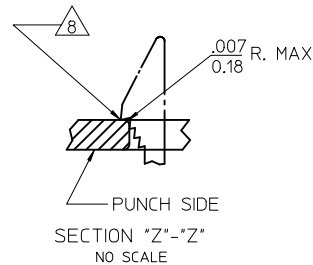
5559-03P3-***
WITHOUT MOUNTING EARS



RECOMMENDED PANEL CUT-OUT
(SEE NOTES 7 & 8)

NOTES:

- MATERIAL;
BLANK-NYLON 6/6, UL 94V-2, COLOR: NATURAL.
210-NYLON 6/6, UL 94V-0, COLOR: NATURAL.
BL-NYLON 6/6, UL 94V-2, COLOR: BLACK.
400-NYLON 6/6, UL 94V-0, COLOR: BLACK
- FINISH: NOT APPLICABLE
- PRODUCT SPECIFICATION: PS-5556-001
- PACKAGING SPECIFICATION: PK-5559-003
- THIS PART MATES WITH RECEPTACLE NO 5557.
- THIS PART IS FOR USE WITH MOLEX MALE TERMINAL NO. 5558-*
- PANEL MOUNT VERSION IS FOR USE WITH .031/.079/(0.80/2.00) THICK PANELS.
- PANEL SHOULD BE PUNCHED IN THE DIRECTION OF CONNECTOR INSERTION.
- MOUNTING & RAMP OPTION:
2 = WITH EARS, WITH POSITIVE RAMP
3 = WITHOUT EARS, WITH POSITIVE RAMP
4 = WITH EARS, WITH PASSIVE RAMP
5 = WITHOUT EARS, WITH PASSIVE RAMP
- PART IS NOT DESIGNED FOR CURRENT SHARING.
- CONNECTORS ARE NOT TO BE MATED OR UNMATED WHILE CIRCUITS ARE LIVE.
- WIRES ARE TO BE DRESSED IN SUCH A MANNER TO ALLOW THE TERMINALS TO FLOAT FREELY IN THE POCKET.
- PART CONFORMS TO CLASS 'B' REQUIREMENTS OF COSMETIC SPECIFICATION PS-45499-002.



LEGEND

5559-03P***

- MAT'L. (SEE NOTE 1)
- MOUNTING & RAMP OPTION (SEE NOTE 9)
- PLUG
- CIRCUIT SIZE
- BASE NUMBER

REMOVED 50290092 EC NO: UCP2013-4208 DRWN: JDOX 2014/05/12 CHKD: JBEL 2014/05/13 APPR: FSMTH 2014/05/16	DESCRIPTION	QUALITY SYMBOLS	GENERAL TOLERANCES (UNLESS SPECIFIED)		DIMENSION STYLE		SCALE	DESIGN UNITS	THIRD ANGLE PROJECTION
		▽=0	mm	INCH	IN/MM		4:1	METRIC	
J2	REV	▽=0	4 PLACES ± ---	± ---	DRAWN BY	DATE	TITLE		
		▽=0	3 PLACES ± ---	± .010	GEP	7/11/90	MINI-FIT JR. SERIES, 3 CKT. PLUG.		
		▽=0	2 PLACES ± 0.25	± .015	CHECKED BY	DATE	MATERIAL NO. DOCUMENT NO. SHEET NO.		
		▽=0	1 PLACE ± 0.38	± ---	RJF	7/11/90			
			ANGULAR ±1/2°		APPROVED BY	DATE	SD-5559-03P*		
			DRAFT WHERE APPLICABLE MUST REMAIN WITHIN DIMENSIONS		RAS	7/11/90	1 OF 1		
			THIS DRAWING CONTAINS INFORMATION THAT IS PROPRIETARY TO MOLEX INCORPORATED AND SHOULD NOT BE USED WITHOUT WRITTEN PERMISSION						