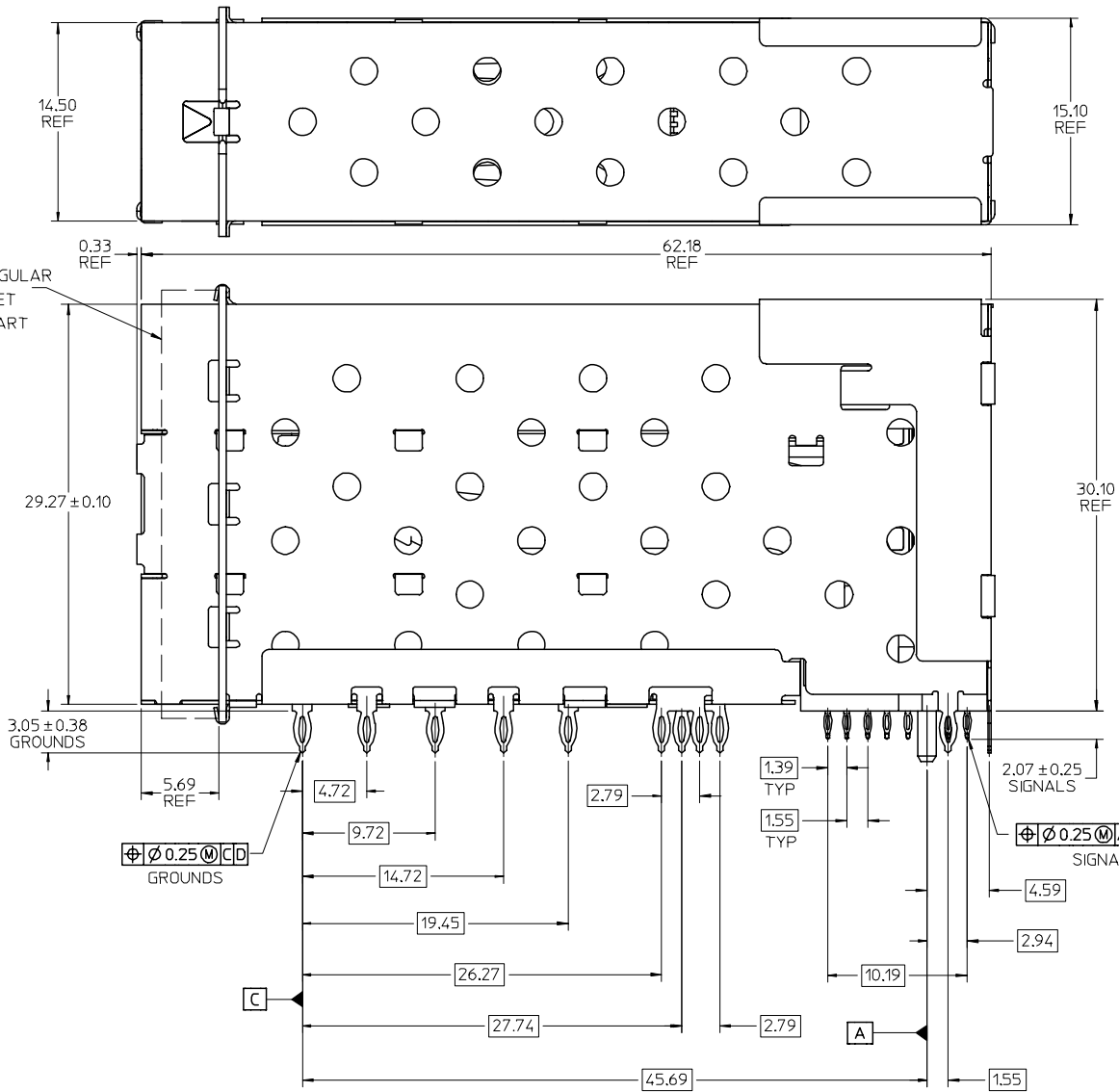
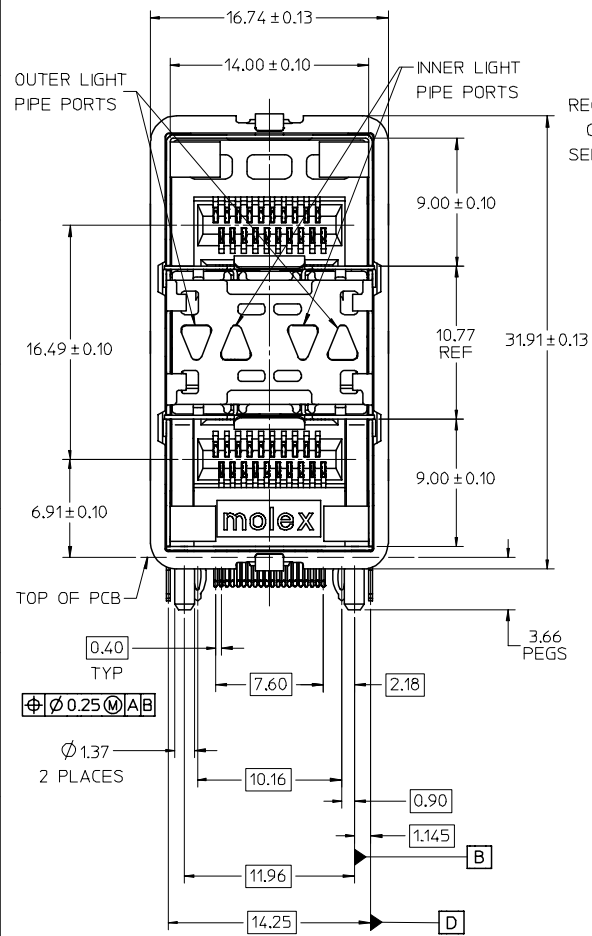
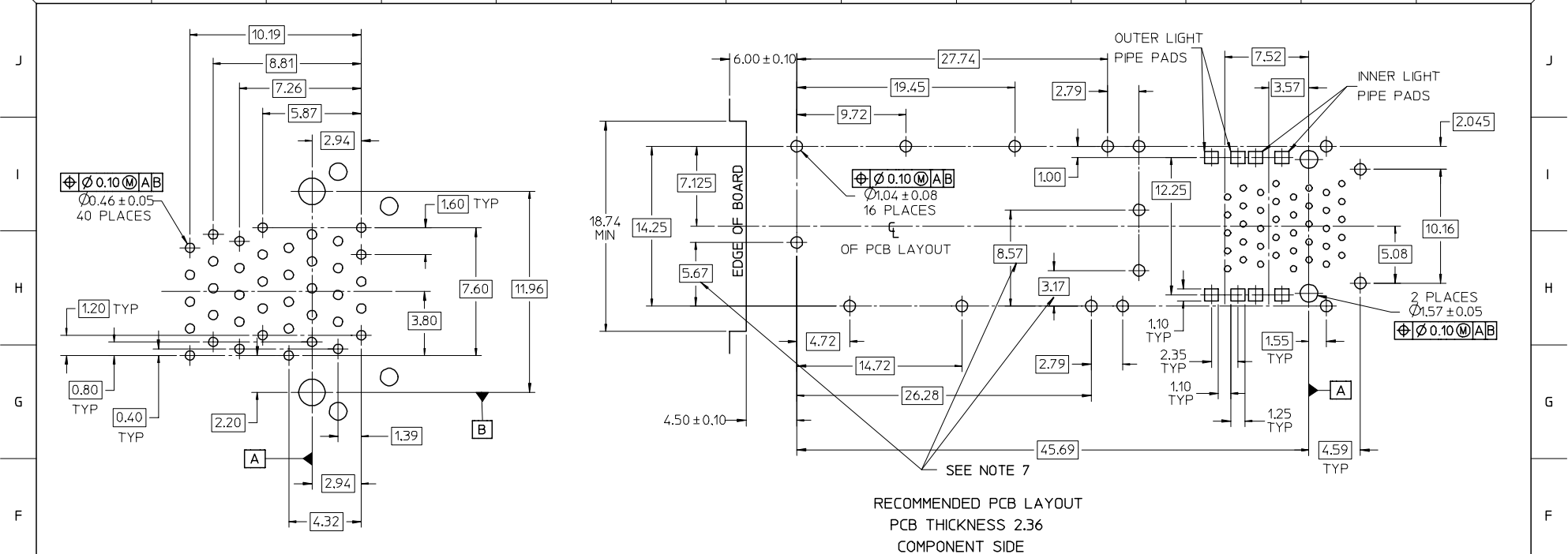


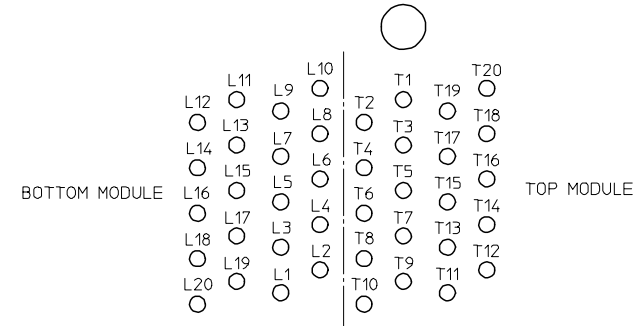
13	12	11	10
MATERIAL NO.	GASKET	TAIL PLATING	
757860001	754581001 (SQUARE CUT)	TIN / LEAD	
757860002	757270001 (SAW TOOTH)	TIN / LEAD	
757865001	754581001 (SQUARE CUT)	TIN	
757865002	757270001 (SAW TOOTH)	TIN	



ADD NOTE 8 EC NO: UCP2008-0867 DRAWN BY: BARRA 2007/11/13 CHK'D: BARKER 2007/11/30 APPR: SMILLER 2007/12/03	QUALITY SYMBOLS 	GENERAL TOLERANCES (UNLESS SPECIFIED)		DIMENSION STYLE MM ONLY		SCALE 4:1	DESIGN UNITS METRIC	THIRD ANGLE PROJECTION	
		4 PLACES ± --- ± ---	mm INCH	DRAWN BY JLONG	DATE 02-07-05	TITLE STACKED SFP 2X1 TALL ASSEMBLY WITH PRESS-FIT TAILS AND LIGHT PIPES			
		3 PLACES ± --- ± ---		CHECKED BY JLONG	DATE 02-07-05	MOLEX INCORPORATED			
		2 PLACES ± 0.25 ± ---		APPROVED BY RNELSON	DATE 02-15-2005	MATERIAL NO. SD-75786-001	DOCUMENT NO.	SHEET NO. 1 OF 3	
1 PLACE ± --- ± ---		ANGULAR ± 5 °		DRAFT WHERE APPLICABLE MUST REMAIN WITHIN DIMENSIONS		SEE CHART		THIS DRAWING CONTAINS INFORMATION THAT IS PROPRIETARY TO MOLEX INCORPORATED AND SHOULD NOT BE USED WITHOUT WRITTEN PERMISSION	



- NOTES:**
- MATERIAL:**
 CAGE: NICKEL SILVER
 SFP HOUSING: GLASS FILLED THERMOPLASTIC, UL: 94 V-0, COLOR: BLACK
 OVER-MOLDED TERMINALS: GLASS FILLED THERMOPLASTIC, UL: 94 V-0, COLOR: BLACK
 LIGHT PIPE HOUSING: ZINC
 LIGHT PIPE: POLYCARBONATE UL: 94 V-0, COLOR: CLEAR
 TERMINALS: BRASS
 GASKET: LOADED CONDUCTIVE ELASTOMER
 - FINISH:**
 LIGHT PIPE HSG: 150 MICRONS NICKEL OVER 150 MICRONS COPPER
 TERMINALS:
 CONTACT AREA: 0.76 MICRONS MIN. HARD GOLD OVER
 1.27 MICRONS MIN NICKEL.
 COMPLIANT TAIL - TIN/LEAD OPTION: 0.76 - 152 MICRONS 90/10 TIN/LEAD OVER 0.76 - 152 MICRONS NICKEL
 COMPLIANT TAIL - TIN OPTION: 0.76 - 152 MICRONS TIN OVER 0.76 - 152 MICRONS NICKEL
 - REFER TO PS-75310-001 PRODUCT SPEC FOR ALL ELECTRICAL, MECHANICAL AND ENVIRONMENTAL SPECIFICATIONS.
 - REFER TO PK-75310-001 FOR ALL PACKAGING SPECIFICATIONS.
 - PROCESSING: WAVE SOLDER (NOT REFLOW COMPATIBLE).
 - LIGHT PIPE PAD LAYOUT SHOWN IS FOR AN 0805 LOW-PROFILE LED PACKAGE. FOR OTHER RECOMMENDED LAYOUTS REFER TO MOLEX'S REPORT TS-75310-001.
 - THE CURVED TAILS THAT GO INTO THE HOLES LOCATED BY THESE DIMENSIONS ARE BEING ELIMINATED. TO ACCOMMODATE THIS CONVERSION, IT IS RECOMMENDED THAT BOARDS DESIGNED TO THIS PRINT REVISION INCLUDE THESE HOLES.
 - PART COMPLIES WITH COSMETIC SPECIFICATION PS-45499-002. SEE SHEET 3 SECTION Z-Z FOR SURFACE CLASSIFICATIONS. UNDERSIDE OF CAGE COMPLIES WITH CLASS 'C'.

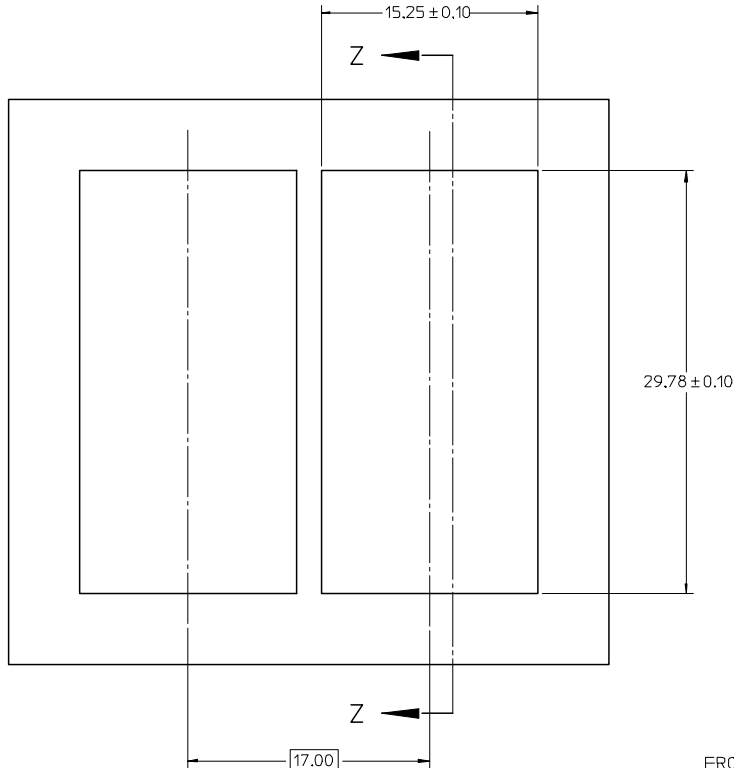


ADD NOTE 8 EC NO: UCP2008-0867 DRAWN BY: BARRA 2007/11/13 CHKD: BARKER 2007/11/30 APPR: MILLER 2007/12/03	QUALITY SYMBOLS ▽=0 ▽=0	GENERAL TOLERANCES (UNLESS SPECIFIED)		DIMENSION STYLE MM ONLY		SCALE 4:1	DESIGN UNITS METRIC	THIRD ANGLE PROJECTION		
		4 PLACES ± --- ± ---	3 PLACES ± --- ± ---	2 PLACES ± 0.25 ± ---	1 PLACE ± --- ± ---	ANGULAR ± 5 °	DRAWN BY JLONG	DATE 02-07-05	CHECKED BY JLONG	DATE 02-07-05
		DRAFT WHERE APPLICABLE MUST REMAIN WITHIN DIMENSIONS		SEE CHART		APPROVED BY RNELSON	DATE 02-15-2005	TITLE STACKED SFP 2X1 TALL ASSEMBLY WITH PRESS-FIT TAILS AND LIGHT PIPES		
		MATERIAL NO.		DOCUMENT NO.		SHEET NO.		MOLEX INCORPORATED		

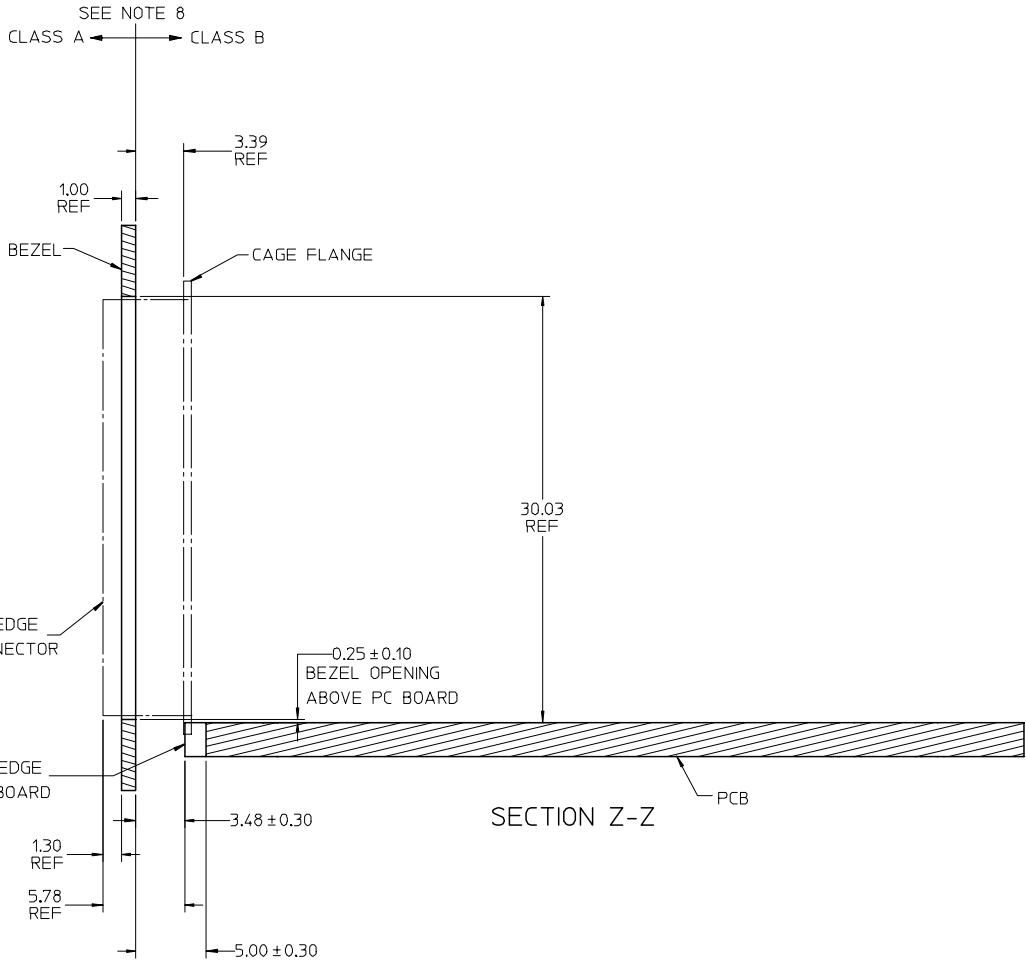
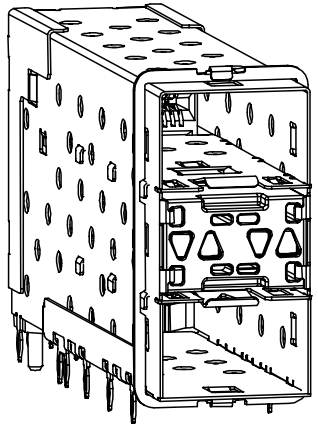
13 12 11 10 9 8 7 6 5 4 3 2 1

J
I
H
G
F
E
D
C
B
A

J
I
H
G
F
E
D
C
B
A



BEZEL CUT-OUT CENTER DETAIL
BEZEL THICKNESS 0.8 -2.6



COSMETIC CLASS FC NO: UCP2008-0867 DRAWN BY: BARRA 2007/11/13 CHKD: BARKER 2007/11/30 APPR: SMILLER 2007/12/03	QUALITY SYMBOLS	GENERAL TOLERANCES (UNLESS SPECIFIED)	DIMENSION STYLE	SCALE	DESIGN UNITS	THIRD ANGLE PROJECTION
	▽=0	mm INCH	MM ONLY	4:1	METRIC	
	▽=0	4 PLACES ± --- ± ---	DRAWN BY DATE			
		3 PLACES ± --- ± ---	CHECKED BY DATE			

2 PLACES ± 0.25 ± ---	JLONG 02-07-05
1 PLACE ± --- ± ---	JLONG 02-07-05
ANGULAR ± 5 °	APPROVED BY DATE
	RNELSON 02-15-2005
	MATERIAL NO.
	SD-75786-001

TITLE	STACKED SFP 2X1 TALL ASSEMBLY WITH PRESS-FIT TAILS AND LIGHT PIPES
APPROVED BY	RNELSON
DATE	02-15-2005
SIZE	SEE CHART

MOLEX INCORPORATED	SHEET NO. 3 OF 3
THIS DRAWING CONTAINS INFORMATION THAT IS PROPRIETARY TO MOLEX INCORPORATED AND SHOULD NOT BE USED WITHOUT WRITTEN PERMISSION	

12 11 10 9 8 7 6 5 4 3 2 1