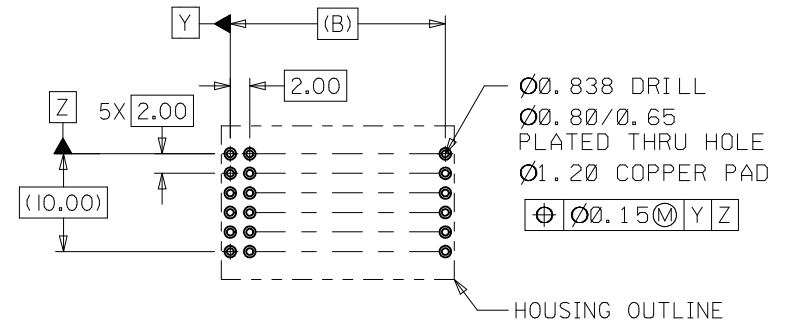
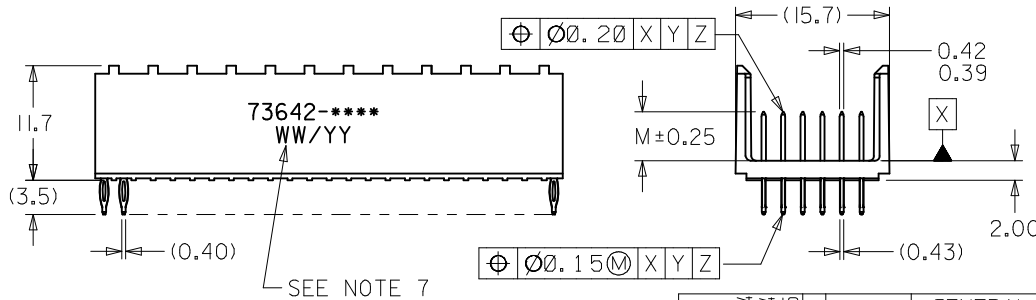
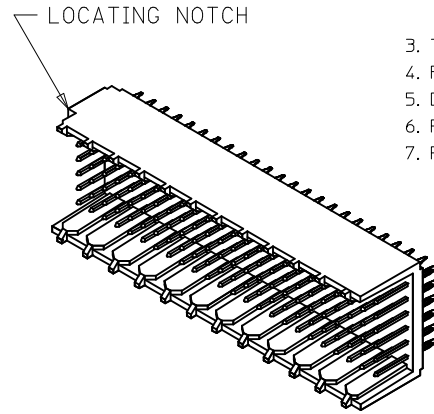
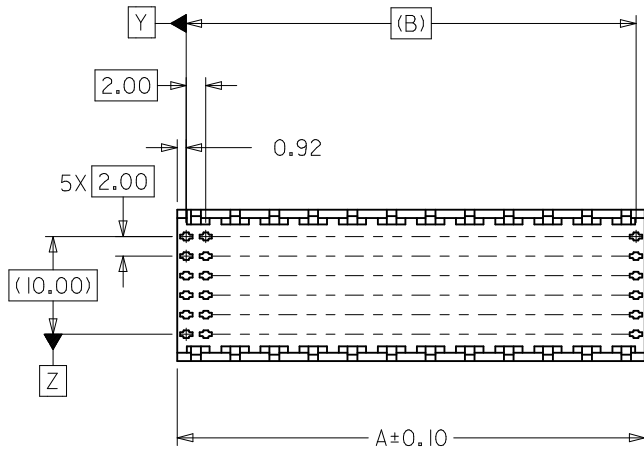


NOTES:

1. MATERIALS: HOUSING - LIQUID CRYSTAL POLYMER (LCP)
GLASS-FILLED, UL 94V-0, COLOR: BLACK.
TERMINAL - PHOSPHOR BRONZE.
2. FINISH: SELECTIVE GOLD (Au) IN CONTACT AREA, 0.76 MICROMETERS MINIMUM THICKNESS;
NICKEL (Ni) AND GOLD FLASH OVERALL.
SELECTIVE GOLD (Au) IN CONTACT AREA, 0.76 MICROMETERS MINIMUM THICKNESS;
SELECTIVE MATTE TIN (Sn) ON IN TAIL AREA.
NICKEL (Ni) OVERALL.
3. THIS PART CONFORMS TO MOLEX PRODUCT SPECIFICATION PS-73670-9999.
4. FOR MIXED CONTACT MATING LENGTHS, CONSULT FACTORY FOR AVAILABILITY.
5. DIMENSIONS ARE IN MILLIMETERS.
6. PACKAGE PER 70873-0818.
7. PARTS MARKED WITH PART NUMBER AND DATE CODE ON EITHER SIDE, APPROXIMATELY WHERE SHOWN.



PCB LAYOUT: COMPONENT SIDE
RECOMMENDED PCB THICKNESS: 2.50 MIN.

SEE NOTE 7

LEAD FREE CONVERSION EC NO: UCP2013-3253 DRAWN BY: DRWHIPPLE 2013/02/04 CHKD: MWOLFE 2013/02/04 APPR: SMILLER 2013/08/05	QUALITY SYMBOLS ▽/0 ▽/0 ▽/0	GENERAL TOLERANCES (UNLESS SPECIFIED)		DIMENSION STYLE MM ONLY		SCALE 2:1	DESIGN UNITS METRIC	THIRD ANGLE PROJECTION	
		4 PLACES ± --- ± ---	mm INCH	DRAWN BY RWHIPPLE	DATE 2013/02/04	TITLE SALES ASSEMBLY HDM BACKPLANE MODULE OPEN END OPTION			
		3 PLACES ± --- ± ---		CHECKED BY SMR/CAB	DATE 96/12/18	MATERIAL NO. SEE SHEET 2			
		2 PLACES ± 0.05 ± ---		APPROVED BY SMILLER	DATE 2013/08/05	DOCUMENT NO. SDA-73642-****	SHEET NO. 1 OF 2		
		1 PLACE ± 0.10 ± ---		ANGULAR ± 1/2°		THIS DRAWING CONTAINS INFORMATION THAT IS PROPRIETARY TO MOLEX INCORPORATED AND SHOULD NOT BE USED WITHOUT WRITTEN PERMISSION			
		0 PLACE ± --- ± ---		DRAFT WHERE APPLICABLE MUST REMAIN WITHIN DIMENSIONS					

10 9 8 7 6 5 4 3 2 1

MATERIAL NUMBER	NUMBER OF SIGNAL CONTACTS	PLATING	DIM "A"	DIM "B"	DIM "M"
73642-0000	72	SELECTIVE GOLD/GOLD FLASH	23.84	22.00	5.00
73642-0100	72	SELECTIVE GOLD/GOLD FLASH	23.84	22.00	5.50
73642-0200	72	SELECTIVE GOLD/GOLD FLASH	23.84	22.00	6.00
73642-1000	144	SELECTIVE GOLD/GOLD FLASH	47.84	46.00	5.00
73642-1100	144	SELECTIVE GOLD/GOLD FLASH	47.84	46.00	5.50
73642-1200	144	SELECTIVE GOLD/GOLD FLASH	47.84	46.00	6.00
73642-2000	72	*SELECTIVE GOLD/MATTE TIN	23.84	22.00	5.00
73642-2100	72	*SELECTIVE GOLD/MATTE TIN	23.84	22.00	5.50
73642-2200	72	*SELECTIVE GOLD/MATTE TIN	23.84	22.00	6.00
73642-3000	144	*SELECTIVE GOLD/MATTE TIN	47.84	46.00	5.00
73642-3100	144	*SELECTIVE GOLD/MATTE TIN	47.84	46.00	5.50
73642-3200	144	*SELECTIVE GOLD/MATTE TIN	47.84	46.00	6.00

*FORMERLY TIN/LEAD

SEE SHEET 1 EC NO: UCP2013-3253 DRAWN: RWHIPPLE 2013/02/04 CHKD: MWOLFE 2013/02/04 APPR: SMILLER 2013/08/05	DESCRIPTION J	QUALITY SYMBOLS	GENERAL TOLERANCES (UNLESS SPECIFIED)	DIMENSION STYLE MM ONLY		SCALE 1:1	DESIGN UNITS METRIC	THIRD ANGLE PROJECTION		
		$\nabla = 0$	mm INCH	DRAWN BY DATE	TITLE		SALES ASSEMBLY HDM BACKPLANE MODULE OPEN END OPTION molex			
		$\nabla = 0$	4 PLACES ± --- ± ---	RWHIPPLE 2013/02/04	CHECKED BY DATE SMR/CAB 96/12/18					
		$\nabla = 0$	3 PLACES ± --- ± ---	APPROVED BY DATE SMILLER 2013/08/05						
		$\nabla = 0$	2 PLACES ± 0.05 ± ---	MATERIAL NO.		DOCUMENT NO.	SHEET NO.			
1 PLACE ± 0.10 ± --- 0 PLACE ± --- ± ---			SEE CHART		SDA-73642-****		2 OF 2			
ANGULAR ± 1/2° DRAFT WHERE APPLICABLE MUST REMAIN WITHIN DIMENSIONS			THIS DRAWING CONTAINS INFORMATION THAT IS PROPRIETARY TO MOLEX INCORPORATED AND SHOULD NOT BE USED WITHOUT WRITTEN PERMISSION							

9 8 7 6 5 4 3 2 1