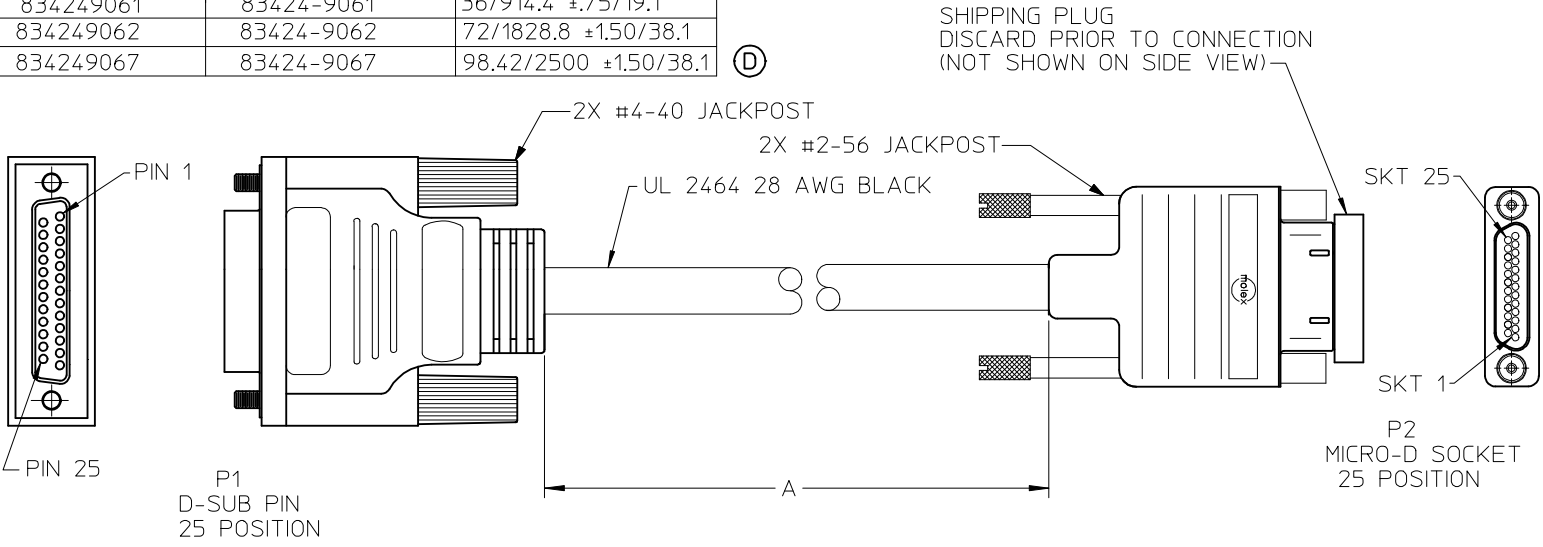


MATERIAL NO.	ENGINEERING NO.	DIM "A"
834249060	83424-9060	18/457.2 ±.50/12.7
834249061	83424-9061	36/914.4 ±.75/19.1
834249062	83424-9062	72/1828.8 ±1.50/38.1
834249067	83424-9067	98.42/2500 ±1.50/38.1



SHIPPING PLUG  
DISCARD PRIOR TO CONNECTION  
(NOT SHOWN ON SIDE VIEW)

P1		P2
1	BLACK	1
2	BROWN	2
3	RED	3
4	ORANGE	4
5	YELLOW	5
6	GREEN	6
7	BLUE	7
8	PURPLE	8
9	GRAY	9
10	WHITE	10
11	PINK	11
12	LIGHT GREEN	12
13	BLACK/WHITE	13
14	BROWN/WHITE	14
15	RED/WHITE	15
16	ORANGE/WHITE	16
17	GREEN/WHITE	17
18	BLUE/WHITE	18
19	PURPLE/WHITE	19
20	RED/BLACK	20
21	ORANGE/BLACK	21
22	YELLOW/BLACK	22
23	GREEN/BLACK	23
24	GRAY/BLACK	24
25	PINK/BLACK	25

SHELL D.W+BD SHELL

SALES DRAWING

NOTES:  
1) REFER TO PS-834219-001 FOR PRODUCT SPEC.  
2) RoHS COMPLIANT

ADD LAST PART NO. EC NO: IPG2015-177 DR: WNBARDEN 2015/04/01 CHKD: BWOODMAN 2015/04/21 APPR: BWOODMAN 2015/04/21	QUALITY SYMBOLS	GENERAL TOLERANCES (UNLESS SPECIFIED)	DIMENSION STYLE	SCALE	DESIGN UNITS	THIRD ANGLE PROJECTION
	▽=0	mm INCH	IN/MM	INCH		
	▽=0	4 PLACES ± --- ± ---	DRAWN BY DATE		TITLE	
		3 PLACES ± --- ± ---	JLOMASTR 05/04/18		CABLE ASSEMBLY	
		2 PLACES ± --- ± ---	CHECKED BY DATE		CMD 25 POS SOCKET TO	
	1 PLACE ± --- ± ---	RWD 05/04/20		25 POS D-SUB PIN		
	ANGULAR ± 1 °	APPROVED BY DATE		MOLEX INCORPORATED		
		RDEROSS 05/04/21		DOCUMENT NO.		
		MATERIAL NO.		SD-83424-060		
		SIZE B		SHEET NO.		
				1 OF 1		

DRAFT WHERE APPLICABLE MUST REMAIN WITHIN DIMENSIONS

THIS DRAWING CONTAINS INFORMATION THAT IS PROPRIETARY TO MOLEX INCORPORATED AND SHOULD NOT BE USED WITHOUT WRITTEN PERMISSION