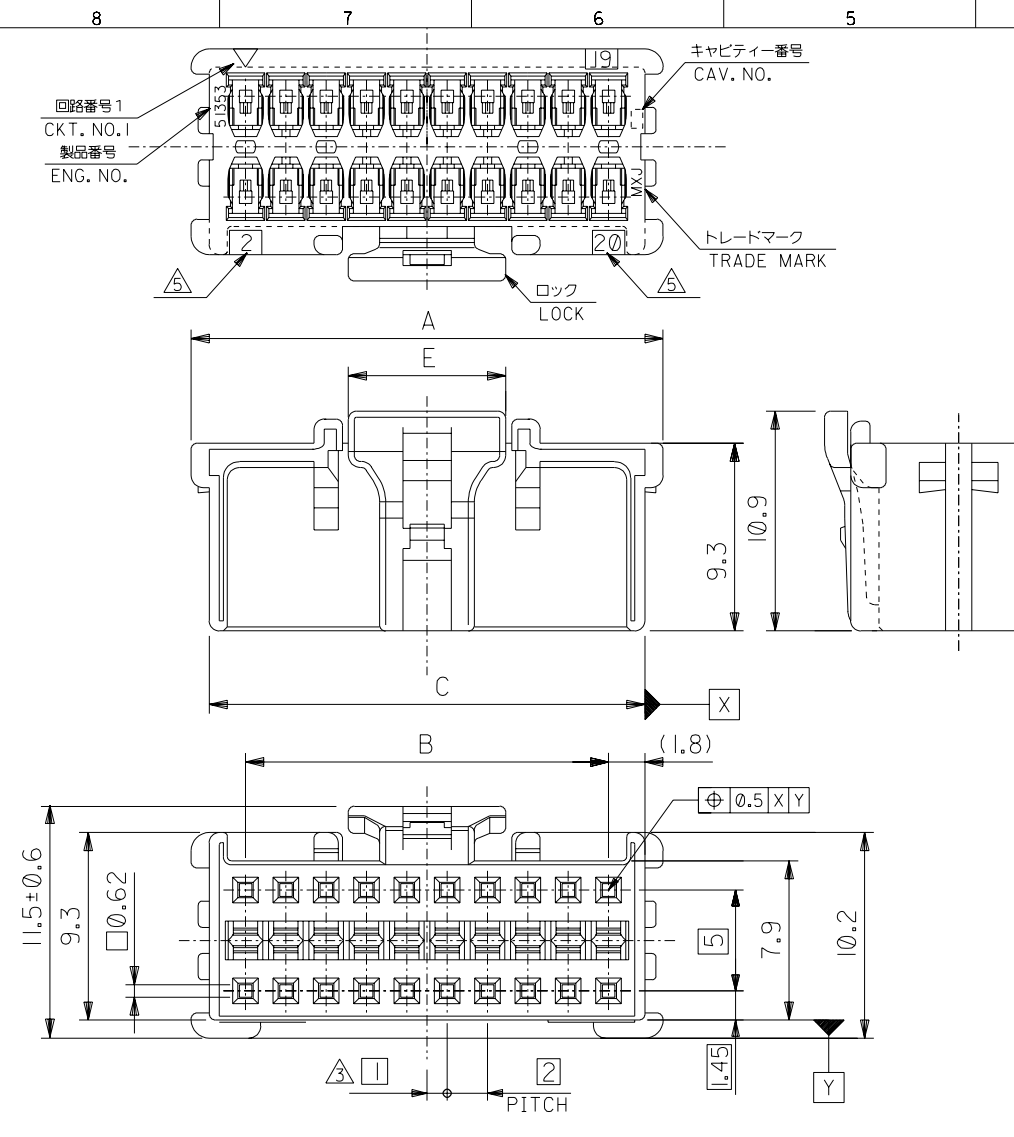


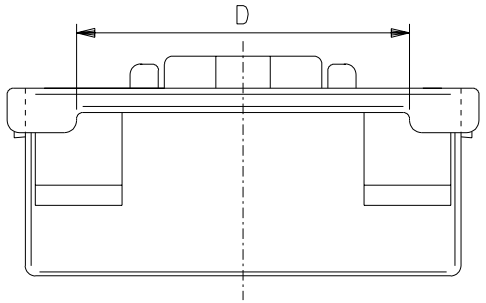
DO NOT SCALE DRAWING



注記 NOTES

- △ 適合ターミナル : 56134-9000, 9100
APPLICABLE TERMINAL : 56134-9000, 9100
- 2. 嵌合相手 : 55917, 55959シリーズ
MATE WITH : 55917, 55959 SERIES
(全極数/2) = 偶数の場合に適用。
APPLY FOR (CIRCUIT/2)=EVEN
- △ 製品番号
MATERIAL NO. **51353-**0***
極数CIRCUIT SIZE 色 COLOR
- △ ロック側の回路番号表示は、8~14極は無し、16~40極は有り。
LOCK SIDE CKT. NO. DIDN'T INDICATED 8~14CKT,
INDICATE 16~40CKT.

ナチュラル(白) NATURAL(WHITE)	0
黒 BLACK	1
赤 RED	2
黄 YELLOW	3
青 BLUE	4
桃 PINK	5
緑 GREEN	6
茶 BROWN	7
橙 ORANGE	8
紫 VIOLET	9

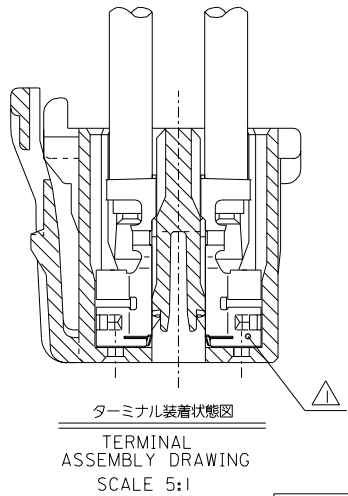
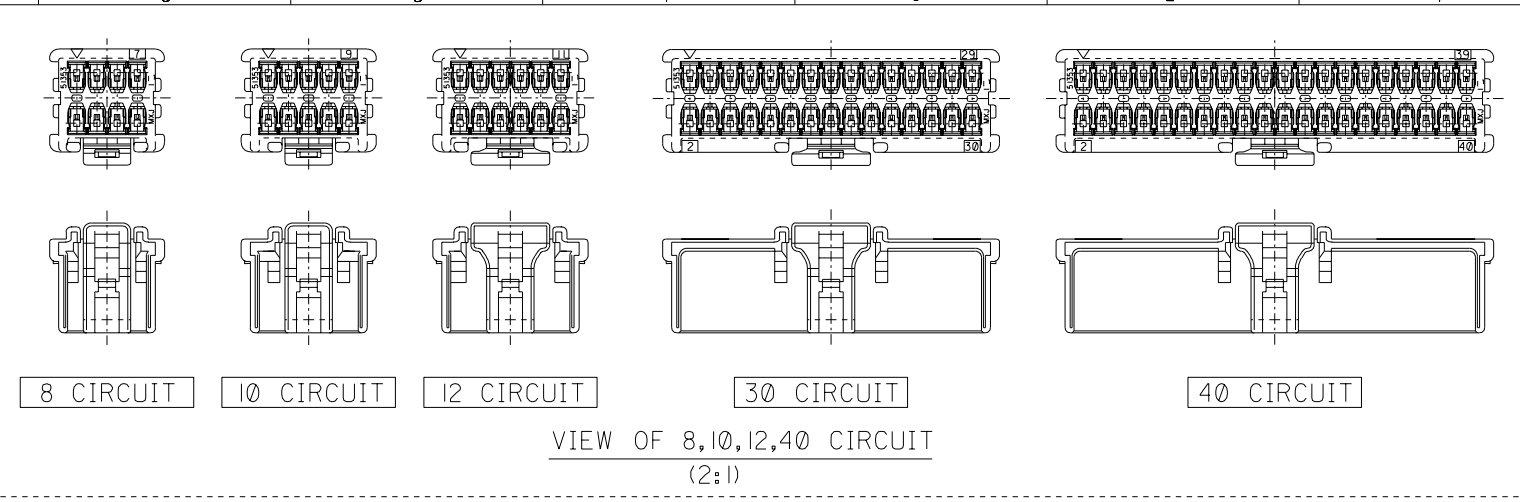


7.8	36.5	41.6	38	43.4	51353-400*	40
	34.5	39.6	36	41.4	-380*	38
	32.5	37.6	34	39.4	-360*	36
	30.5	35.6	32	37.4	-340*	34
	28.5	33.6	30	35.4	-320*	32
	26.5	31.6	28	33.4	-300*	30
	24.5	29.6	26	31.4	-280*	28
	22.5	27.6	24	29.4	-260*	26
	20.5	25.6	22	27.4	-240*	24
	18.5	23.6	20	25.4	-220*	22
	16.5	21.6	18	23.4	-200*	20
	14.5	19.6	16	21.4	-180*	18
	12.5	17.6	14	19.4	-160*	16
	10.5	15.6	12	17.4	-140*	14
7.8	8.5	13.6	10	15.4	-120*	12
4.7	6.5	11.6	8	13.4	-100*	10
4.7	4.5	9.6	6	11.4	51353-080*	8
E	D	C	B	A	MATERIAL NO.	CKT.

EC NO. DRWN: CHK: APPR:	REVISED	MATERIAL 材料 66NYLON, UL94V-0	GENERAL TOLERANCES: (UNLESS SPECIFIED) 一般公差	SCALE	MODEL NO. 51353-**0*	DIMENSIONS:		SHT REV	
	EC NO. J2003-0719 DRWN:N.ITO '02/10/22 CHK: K.ASAKAWA APPR:T.YAMAGUCHI			DESIGN UNITS <input checked="" type="checkbox"/> mm <input type="checkbox"/> INCH		<input type="checkbox"/> mm <input type="checkbox"/> INCH	<input type="checkbox"/> mm ONLY		REVISE ON CAD ONLY
	REVISED			DRAWN BY & DATE N.ITO '01/12/17		TITLE: 2.0mm W+-B DUAL CONN DIP RCPT HOUSING			
	EC NO. J2003-0066 DRWN:N.ITO '02/07/08 CHK: K.ASAKAWA APPR:T.YAMAGUCHI			CHECKED BY & DATE K.ASAKAWA '02/10/22		MOLEX MOLEX INCORPORATED			
	REVISED			APPROVED BY & DATE T.YAMAGUCHI '02/10/22		CAD FILENAME 51353002.S01	MATERIAL NO. SEE CHART		DRAWING NO. SD-51353-002
EC NO. J2002-2307 DRWN:N.ITO '02/03/18 CHK: K.ASAKAWA APPR:T.YAMAGUCHI	FINISH 仕上げ //	WIRE RANGE 適用線径範囲 //	ANGLE 角度 *3°	THIS DRAWING CONTAINS INFORMATION THAT IS PROPRIETARY TO MOLEX INCORPORATED AND SHOULD NOT BE USED WITHOUT WRITTEN PERMISSION.			SIZE B		
EC NO. J2002-1196 DRWN:N.ITO '01/12/17 CHK: K.ASAKAWA APPR:T.YAMAGUCHI	RELEASED	INS. RANGE 被覆外径 //		EN-02J(097) MXJ-54					

A
51353002.S01

DWG. NO. SD-51353-002



DO NOT SCALE DRAWING

EC NO. DRWN: CH'K: APPR:	REVISED	MATERIAL 材料 SEE CHART 1 OF 2	GENERAL TOLERANCES: (UNLESS SPECIFIED) 一般公差	SCALE	DESIGN UNITS		
	EC NO. J2003-0719			10 UNDER 未満	mm		
	DRWN:N.ITO '02/09/12			30 UNDER 未満	INCH		
	CH'K: K.ASAKAWA			10 OVER 以上	mm ONLY		
	APPR:T.YAMAGUCHI			30 OVER 以上	mm ONLY		
REVISED	RELEASED	FINISH 仕上げ //	ANGLE 角度	3°	WIRE RANGE 適用規格範囲 //	INS. RANGE 被覆外径 //	
EC NO. J2003-0066	EC NO. J2002-1196						
DRWN:N.ITO '02/07/08	DRWN:N.ITO '01/12/17						
CH'K: K.ASAKAWA	CH'K: K.ASAKAWA						
APPR:T.YAMAGUCHI	APPR:T.YAMAGUCHI						
REVISED	RELEASED						
EC NO. J2002-2307	EC NO. J2002-1196						
DRWN:N.ITO '02/03/18	DRWN:N.ITO '01/12/17						
CH'K: K.ASAKAWA	CH'K: K.ASAKAWA						
APPR:T.YAMAGUCHI	APPR:T.YAMAGUCHI						

51353-**-0*		MODEL NO.	DIMENSIONS:		SHT	REV
SCALE	DESIGN UNITS	THIRD ANGLE PROJECTION	mm	INCH	mm	INCH
///	mm	☉	mm	INCH	mm	INCH
DRAWN BY & DATE N.ITO '01/12/17		TITLE: 2.0mm W+-B DUAL CONN DIP RCPT HOUSING				
CHECKED BY & DATE K.ASAKAWA '02/09/12		MATERIAL NO. SEE CHART				
APPROVED BY & DATE T.YAMAGUCHI '02/09/12		DRAWING NO. SD-51353-002				
CAD FILENAME 51353002.S02		MATERIAL NO. SEE CHART		SHEET NO. 2 OF 2		
THIS DRAWING CONTAINS INFORMATION THAT IS PROPRIETARY TO MOLEX INCORPORATED AND SHOULD NOT BE USED WITHOUT WRITTEN PERMISSION.					SIZE B	