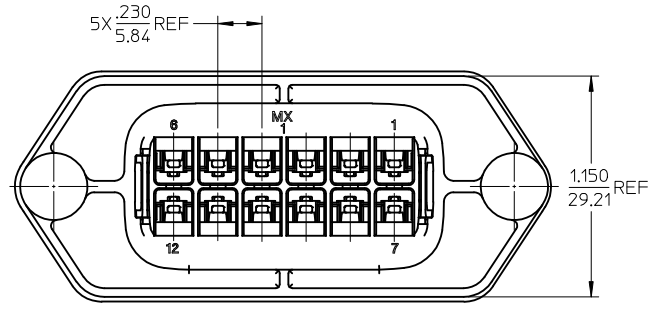
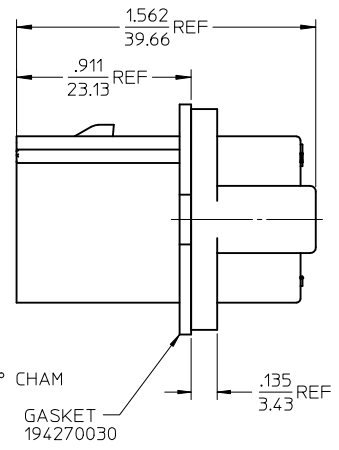
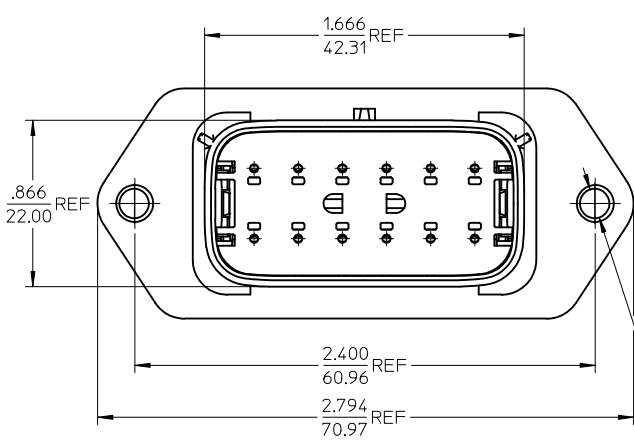


SCALE 1:1



2X Ø.154 (3.91) X .030 X 45° CHAM REF

- Ⓢ NOTES:
- MATERIALS:
HOUSING: POLYESTER (PBT), GLASS FILLED, UL94 V-0.COLOR: BLACK
GASKET: EPDM RUBBER
 - PRODUCT SPECIFICATION: PS-19417-001.
 - PACKAGING SPECIFICATION: PK-19429-001.
GASKETS, IF REQUIRED FOR THE ASSEMBLIES, ARE BULK PACKAGED IN A SEPARATE BAG.
 - MATES WITH: 19418 SERIES RECEPTACLE ASSEMBLIES.
 - USE CONNECTOR WITH MALE CRIMP TERMINAL: SERIES 19417.
 - RECOMMENDED MOUNTING HARDWARE: (2) #10 X .62/15.8 LONG PLASTIC THREAD CUTTING SCREWS. RECOMMENDED TORQUE 15-17 IN-LBS. SUGGESTED SOURCE: ITW SHAKEPROOF INDUSTRIAL BOSSCREW OR EQUIVALENT.
 - ASSEMBLY IS ROHS COMPLIANT.

| | | | | | | | | | | |
|--|--|---------------------------------------|---|-----------|-----------------------|------------------------|--|------------------|--|--|
| REVISE NOTES EC NO: IPG2012-0161 DRWN: WLEUNG 2012/02/10 CHKD: APPR: DTITUS 2012/02/28 | DESCRIPTION QUALITY SYMBOLS ▽ = 0 ∇ = 0 | GENERAL TOLERANCES (UNLESS SPECIFIED) | | SCALE 2:1 | DESIGN UNITS INCH | THIRD ANGLE PROJECTION | REVISE ON CAD ONLY | | | |
| | | | mm | INCH | DIMENSION STYLE IN/MM | | TITLE | | | |
| | | 4 PLACES | ± --- | ± --- | DRAWN BY DMYRICK | DATE 03/12/08 | MOLEX MOLEX INCORPORATED 12 WAY PLUG PANEL MOUNT ASSEMBLY 22-14 AWG | | | |
| | | 3 PLACES | ± --- | ± .015 | CHECKED BY JPAWLICK | DATE 03/12/08 | | | | |
| 2 PLACES | ± 0.38 | ± --- | APPROVED BY DTITUS | | DATE 2010/10/18 | MATERIAL NO. SEE CHART | DOCUMENT NO. SD-19429-007 | SHEET NO. 1 OF 1 | | |
| 1 PLACE | ± --- | ± --- | DRAFT WHERE APPLICABLE MUST REMAIN WITHIN DIMENSIONS THIS DRAWING CONTAINS INFORMATION THAT IS PROPRIETARY TO MOLEX INCORPORATED AND SHOULD NOT BE USED WITHOUT WRITTEN PERMISSION | | | | | | | |