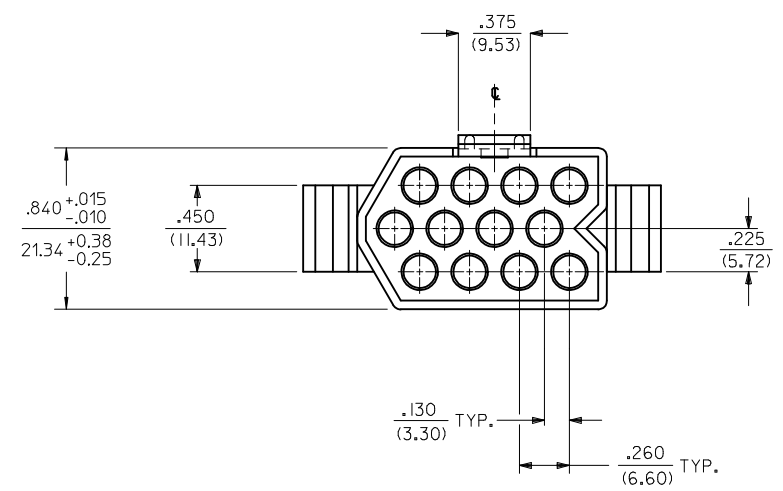
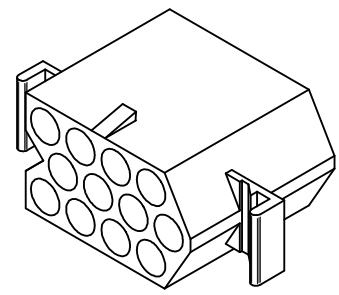
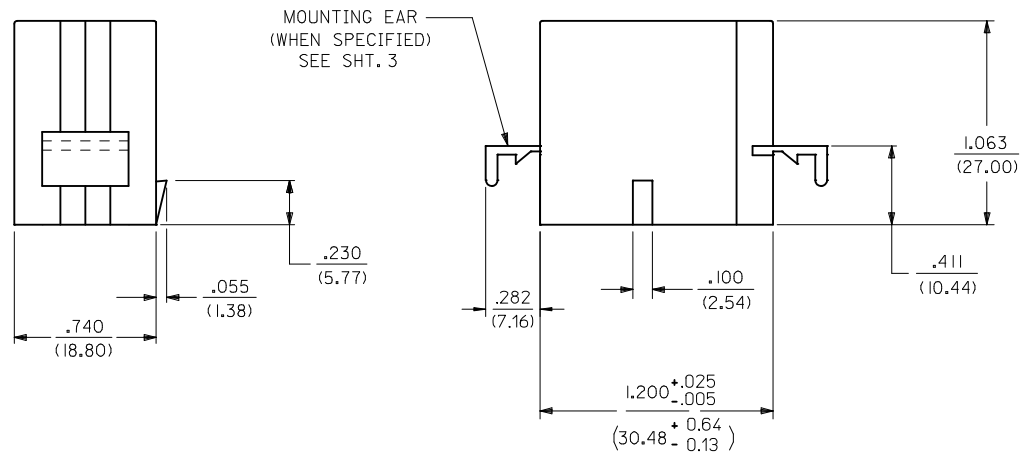
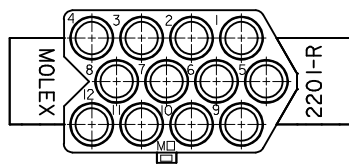


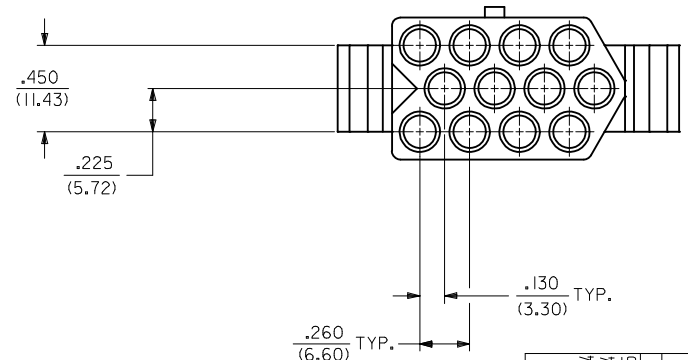
PLUG 220I-P



REVISE TOLERANCES EC NO: UCP2015-0654 IDRW:MKIPPER 2014/08/14 CHKD:JBELL 2014/08/14 APPR:FSMITH 2014/08/15	QUALITY SYMBOLS 	GENERAL TOLERANCES (UNLESS SPECIFIED)		DIMENSION STYLE IN/MM	SCALE 2:1	DESIGN UNITS INCH	THIRD ANGLE PROJECTION
		4 PLACES ± --- ± --- 3 PLACES ± --- ± .010 2 PLACES ± 0.25 ± .014 1 PLACE ± 0.35 ± --- 0 PLACE ± --- ± ---	DRAWN BY GEP DATE 7/23/87	TITLE 12 CIRCUIT HOUSING PLUG & RECEPTACLE			
		ANGULAR ±1/2° DRAFT WHERE APPLICABLE MUST REMAIN WITHIN DIMENSIONS	APPROVED BY FSMITH DATE 2014/08/15	molex			
		J2	MATERIAL NO. SEE CHART	DOCUMENT NO. SD-2201-*	SHEET NO. 1 OF 3		



RECEPTACLE 2201-R



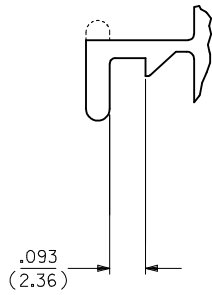
SEE SHEET 1 EC NO: UCP2015-0654 DRWN:KIPPER 2014/08/14 CHKD:JBELL 2014/08/14 APPR:FSMITH 2014/08/15	QUALITY SYMBOLS	GENERAL TOLERANCES (UNLESS SPECIFIED)		DIMENSION STYLE	SCALE	DESIGN UNITS	THIRD ANGLE PROJECTION
	▽=0	mm	INCH	IN/MM	2:1	INCH	
	▽=0	4 PLACES ± ---	± ---	DRAWN BY	DATE	TITLE	
	▽=0	3 PLACES ± ---	± .010	GEP	7/23/87	12 CIRCUIT HOUSING PLUG & RECEPTACLE	
		2 PLACES ± 0.25	± .014	CHECKED BY	DATE	molex MATERIAL NO. DOCUMENT NO. SD-2201-* SHEET NO. 2 OF 3	
		1 PLACE ± 0.35	± ---	RW	7/23/87		
		0 PLACE ± ---	± ---	APPROVED BY	DATE		
				FSMITH	2014/08/15		
		ANGULAR ±1/2°		SEE CHART			
		DRAFT WHERE APPLICABLE MUST REMAIN WITHIN DIMENSIONS		THIS DRAWING CONTAINS INFORMATION THAT IS PROPRIETARY TO MOLEX INCORPORATED AND SHOULD NOT BE USED WITHOUT WRITTEN PERMISSION			

PLUG

RECEPTACLE

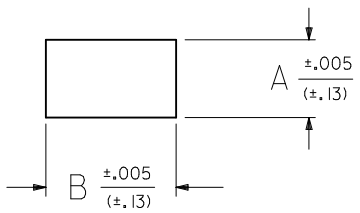
PART NO.	ENG. NO.	DESCRIPTION
03-12-2121	2201-P	PLUG WITH STANDARD EARS (DETAIL 1)

PART NO.	ENG. NO.	DESCRIPTION
03-12-1121	2201-R	RECEPTACLE WITH STANDARD EARS (DETAIL 1)



DETAIL 1
STANDARD MOUNTING EAR
SCALE 4:1

MOUNTING PANEL OPENING		
HOUSING	DIM. "A"	DIM. "B"
PLUG	.855/(21.72)	1.460/(37.08)
RECEPTACLE	.810/(20.57)	1.360/(34.54)



NOTES:

- 1) MATERIAL: NYLON TYPE 6/6, 94V-2, NATURAL.
- 2) FINISH: N/A
- 3) PRODUCT SPECS: NONE.
- 4) PACKAGING SPECS: BULK PACK PER PK-2201-001.
- 5) FOR USE WITH .125/(3.18) DIA. SERIES TERMINALS.
- 6) MAXIMUM PANEL THICKNESS .090/(2.29).

SEE SHEET 1 EC NO: UCP2015-0654 DRWN:KIPPER 2014/08/14 CHKD:JBELL 2014/08/14 APPR:FSMITH 2014/08/15	J2 REV	DESCRIPTION QUALITY SYMBOLS ▽=0 ▽=0 ▽=0	GENERAL TOLERANCES (UNLESS SPECIFIED)		DIMENSION STYLE	SCALE	DESIGN UNITS	THIRD ANGLE PROJECTION			
					IN/MM	2:1	INCH			12 CIRCUIT HOUSING PLUG & RECEPTACLE	
					mm			DRAWN BY DATE			
					INCH			GEP 7/23/87		SD-2201-* 3 OF 3	
		4 PLACES ± --- ± ---	DRAWN BY DATE		RW 7/23/87		MATERIAL NO. DOCUMENT NO.				
		3 PLACES ± --- ±.010	CHECKED BY DATE		FSMITH 2014/08/15				SEE CHART		
		2 PLACES ± 0.25 ±.014	APPROVED BY DATE				THIS DRAWING CONTAINS INFORMATION THAT IS PROPRIETARY TO MOLEX INCORPORATED AND SHOULD NOT BE USED WITHOUT WRITTEN PERMISSION				
		1 PLACE ± 0.35 ± ---							SIZE C		
		0 PLACE ± --- ± ---					DRAFT WHERE APPLICABLE MUST REMAIN WITHIN DIMENSIONS				
		ANGULAR ±1/2°									