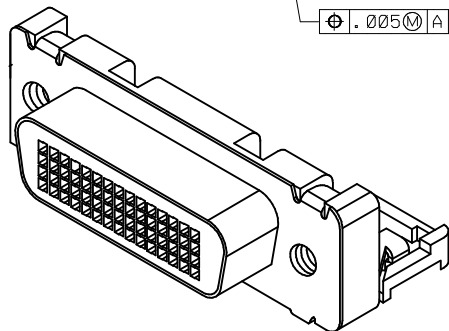
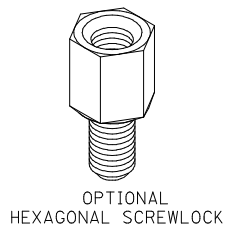
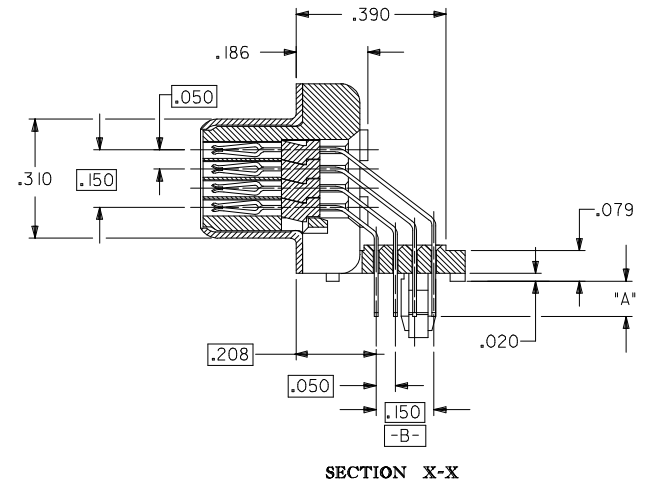
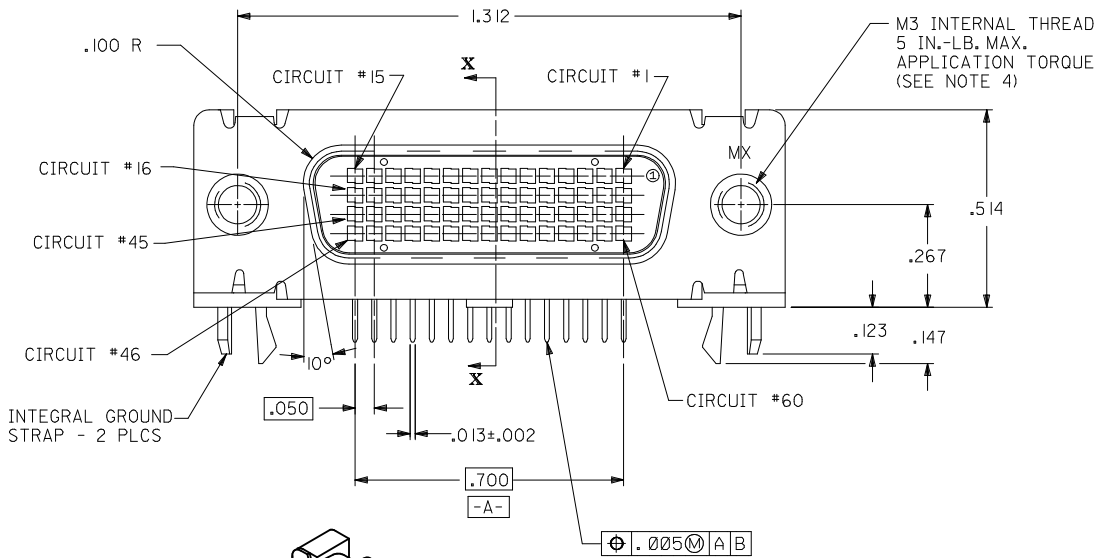
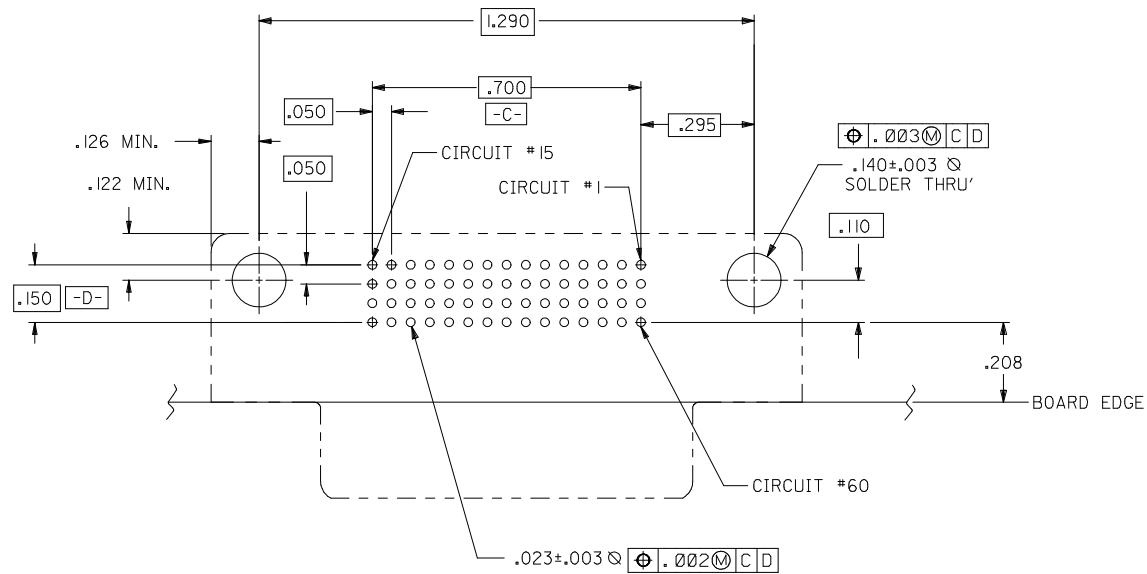


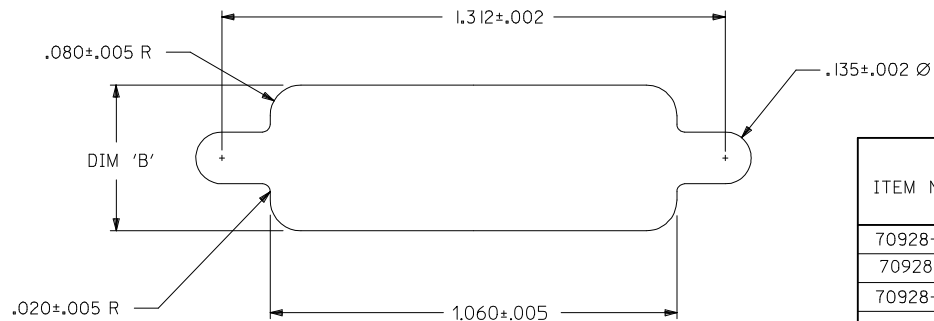
- NOTES: 1) MATERIALS:  
 HOUSING AND MOLDED STICK: GLASS FILLED POLYMER, 94V-0, COLOR BLACK.  
 TERMINALS: COPPER ALLOY .010±.0005 THK.  
 OUTER SHELL: DEEP DRAWN STEEL, .016/(0.40) THICK.  
 HEXAGONAL SCREWLOCK: STEEL.
- 2) PLATING :  
 TERMINALS (SEE CHART TO DETERMINE WHICH PART NUMBER HAS WHICH PLATING):
- 30 GOLD SELECTIVE GOLD (Au) IN THE CONTACT AREA:  
 THICKNESS=30 MICROINCHES/(0.76 MICROMETERS) MINIMUM;  
 SELECTIVE TIN (Sn) ALLOY IN THE PC TAIL AREA:  
 THICKNESS=100 MICROINCHES/(2.54 MICROMETERS) MINIMUM;  
 NICKEL (Ni) UNDERPLATE OVER ENTIRE PIN.
  - GOLD FLASH SELECTIVE GOLD (Au) FLASH IN THE CONTACT AREA  
 SELECTIVE TIN (Sn) ALLOY IN THE PC TAIL AREA:  
 THICKNESS=100 MICROINCHES/(2.54 MICROMETERS) MINIMUM;  
 NICKEL (Ni) UNDERPLATE OVER ENTIRE PIN.
  - OUTER SHELL: 150 MICROINCHES/(3.81 MICROMETERS) MINIMUM OF TIN (Sn)  
 OVER 50 MICROINCHES/(1.27 MICROMETERS) MINIMUM OF  
 NICKEL (Ni) OVERALL.
- 3) CONFORMS TO PRODUCT SPECIFICATION PS-70928.  
 4) THREAD GAGE MAY REQUIRE UP TO 1 IN.-LB. OF TORQUE DURING GAGING PROCESS.  
 5) PART COMPLIES WITH CLASS B OF COSMETIC SPECIFICATION PS-45499-002



|                                                                                                                           |                                      |                                       |        |                                                      |                    |                                                                                                                               |                      |                        |
|---------------------------------------------------------------------------------------------------------------------------|--------------------------------------|---------------------------------------|--------|------------------------------------------------------|--------------------|-------------------------------------------------------------------------------------------------------------------------------|----------------------|------------------------|
| MOD PANEL CUT-OUT<br>EC NO: UCP2012-0335<br>DRWING:MORGAN 2011/08/12<br>CHKD:MPHOFF 2014/04/11<br>APPR:SMILLER 2014/05/12 | QUALITY SYMBOLS<br>▽=0<br>▽=0<br>▽=0 | GENERAL TOLERANCES (UNLESS SPECIFIED) |        | DIMENSION STYLE<br>INCH ONLY                         |                    | SCALE<br>4:1                                                                                                                  | DESIGN UNITS<br>INCH | THIRD ANGLE PROJECTION |
|                                                                                                                           |                                      | mm                                    | INCH   | DRAWN BY<br>RKADAMS                                  | DATE<br>2004/07/26 | TITLE<br>SALES ASSEMBLY<br>60 CKT LFH ASSEMBLY<br>RIGHT ANGLE RECEPTACLE                                                      |                      |                        |
| REV                                                                                                                       | DESCRIPTION                          | 4 PLACES                              | ± .010 | CHECKED BY<br>BBARKER                                | DATE<br>2004/07/26 |                                                                                                                               |                      | SHEET NO.<br>1 OF 2    |
|                                                                                                                           |                                      | 3 PLACES                              | ± .010 | APPROVED BY<br>SMILLER                               | DATE<br>2004/07/26 |                                                                                                                               |                      |                        |
|                                                                                                                           |                                      | 2 PLACES                              | ± .010 | MATERIAL NO.                                         |                    | DOCUMENT NO.                                                                                                                  |                      |                        |
|                                                                                                                           |                                      | 1 PLACE                               | ± .010 | SEE TABLE                                            |                    | SD-70928-001                                                                                                                  |                      |                        |
|                                                                                                                           |                                      | 0 PLACE                               | ± .010 | DRAFT WHERE APPLICABLE MUST REMAIN WITHIN DIMENSIONS |                    | THIS DRAWING CONTAINS INFORMATION THAT IS PROPRIETARY TO MOLEX INCORPORATED AND SHOULD NOT BE USED WITHOUT WRITTEN PERMISSION |                      |                        |



COMPONENT SIDE  
RECOMMENDED P.C.B. LAYOUT

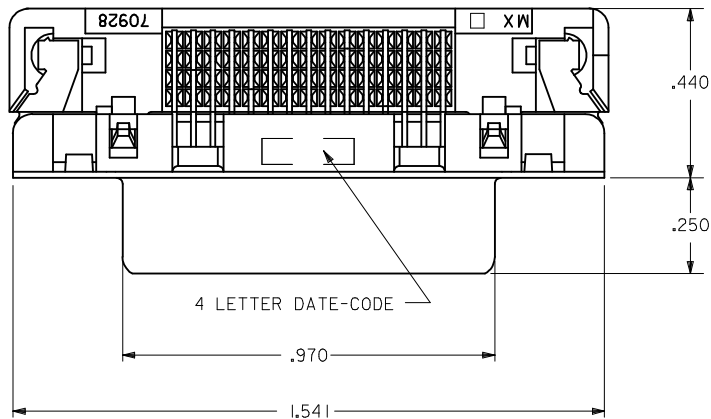


RECOMMENDED PANEL CUT-OUT

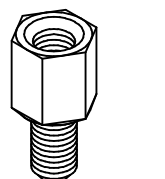
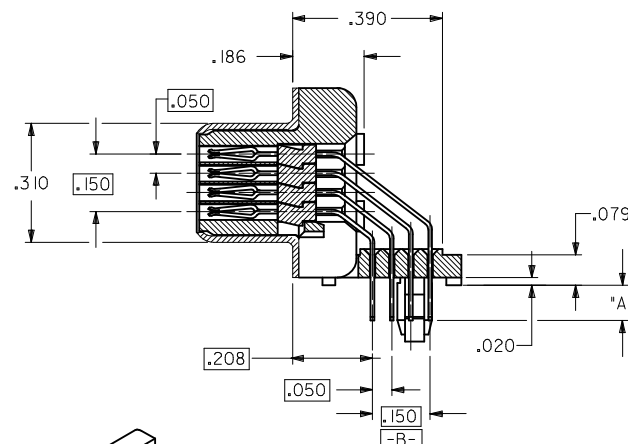
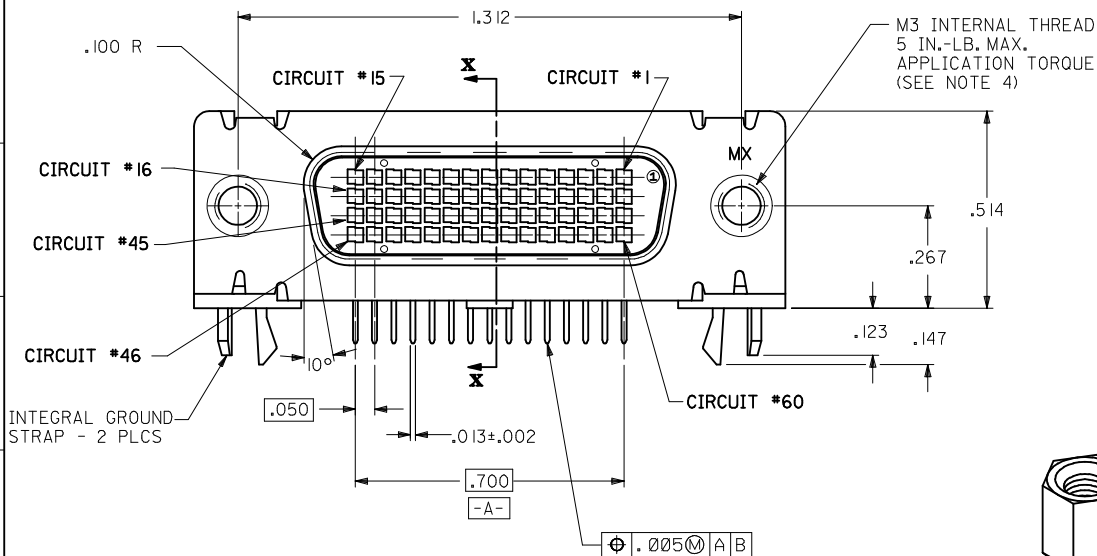
| DIM. 'B'  | PANEL THICKNESS |
|-----------|-----------------|
| .400±.005 | .039            |
| .420±.005 | .064            |

| ITEM NUMBER | DIMENSION 'A' | PLATING (SEE NOTE 2) | HEXAGONAL SCREWLOCKS PACKAGED WITH CONNECTORS | SCREWLOCK ITEM NUMBER (SEE SD-70982-****) | PACKAGED PER PACKAGING SPECIFICATION |
|-------------|---------------|----------------------|-----------------------------------------------|-------------------------------------------|--------------------------------------|
| 70928-2020  | .079±.010     | 30 GOLD              | NO                                            | _____                                     | PK-70873-0291                        |
| 70928-2021  | .092±.010     | 30 GOLD              | NO                                            | _____                                     | PK-70873-0291                        |
| 70928-2022  | .104±.010     | 30 GOLD              | NO                                            | _____                                     | PK-70873-0291                        |
|             | .079±.010     | 30 GOLD              | YES                                           | 70982-1003; 4-40 INTERNAL THD             | PK-70873-0686                        |
| 70928-2025  | .079±.010     | 30 GOLD              | YES                                           | 70982-1004; M-3 INTERNAL THD              | PK-70873-0686                        |
| 70928-2027  | .125±.010     | 30 GOLD              | NO                                            | _____                                     | PK-70873-0291                        |
|             | .092±.010     | 30 GOLD              | YES                                           | 70982-1003; 4-40 INTERNAL THD             | PK-70873-0686                        |
|             | .092±.010     | GOLD FLASH           | NO                                            | _____                                     | PK-70873-0291                        |
|             | .092±.010     | GOLD FLASH           | YES                                           | 70982-1003; 4-40 INTERNAL THD             | PK-70873-0686                        |

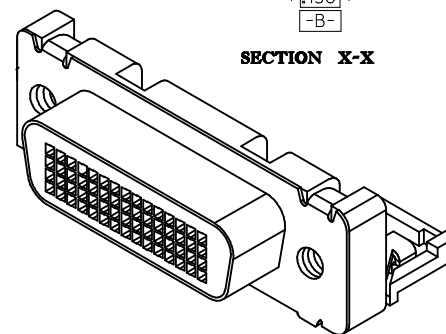
|                                                                                                                                 |                     |                                                      |                                     |                                                                                                                                  |                                                                                          |                            |
|---------------------------------------------------------------------------------------------------------------------------------|---------------------|------------------------------------------------------|-------------------------------------|----------------------------------------------------------------------------------------------------------------------------------|------------------------------------------------------------------------------------------|----------------------------|
| <b>SEE SHEET 1</b><br>EC NO: UCP2012-0335<br>DRW:DMORGAN 2011/08/12<br>CHK:DMPOFF 2014/04/11<br>APPR:SMILLER 2014/05/12<br>REV: | QUALITY SYMBOLS     | GENERAL TOLERANCES (UNLESS SPECIFIED)                | DIMENSION STYLE<br><b>INCH ONLY</b> | SCALE<br><b>4:1</b>                                                                                                              | DESIGN UNITS<br><b>INCH</b>                                                              | THIRD ANGLE PROJECTION     |
|                                                                                                                                 | ▽=0                 | mm INCH                                              | DRAWN BY<br>RKADAMS                 | DATE<br>2004/07/26                                                                                                               | <b>SALES ASSEMBLY</b><br><b>60 CKT LFH ASSEMBLY</b><br><b>RIGHT ANGLE RECEPTACLE</b><br> |                            |
|                                                                                                                                 | ▽=0                 | 4 PLACES ± --- ± ---                                 | CHECKED BY<br>BBARKER               | DATE<br>2004/07/26                                                                                                               |                                                                                          |                            |
|                                                                                                                                 | ▽=0                 | 3 PLACES ± --- ± .010                                | APPROVED BY<br>SMILLER              | DATE<br>2004/07/26                                                                                                               |                                                                                          |                            |
|                                                                                                                                 |                     | 2 PLACES ± --- ± ---                                 | MATERIAL NO.                        | DOCUMENT NO.                                                                                                                     |                                                                                          |                            |
|                                                                                                                                 | 1 PLACE ± --- ± --- | <b>SEE TABLE</b>                                     | <b>SD-70928-001</b>                 |                                                                                                                                  |                                                                                          |                            |
|                                                                                                                                 | 0 PLACE ± --- ± --- | ANGULAR ±1/2°                                        | SIZE<br>C                           | THIS DRAWING CONTAINS INFORMATION THAT IS PROPRIETARY TO MOLEX<br>INCORPORATED AND SHOULD NOT BE USED WITHOUT WRITTEN PERMISSION |                                                                                          |                            |
|                                                                                                                                 |                     | DRAFT WHERE APPLICABLE MUST REMAIN WITHIN DIMENSIONS |                                     |                                                                                                                                  |                                                                                          | SHEET NO.<br><b>2 OF 2</b> |



| ITEM NUMBER | DIMENSION "A" | PLATING (SEE NOTE 2) | HEXAGONAL SCREWLOCKS PACKAGED WITH CONNECTORS | SCREWLOCK ITEM NUMBER (SEE SD-70982-****) | PACKAGING PER PACKAGING SPECIFICATION |
|-------------|---------------|----------------------|-----------------------------------------------|-------------------------------------------|---------------------------------------|
| 70928-2000  | .079±.010     | 30 GOLD              | NO                                            | _____                                     | PK-70873-0291                         |
| 70928-2001  | .092±.010     | 30 GOLD              | NO                                            | _____                                     | PK-70873-0291                         |
| 70928-2002  | .104±.010     | 30 GOLD              | NO                                            | _____                                     | PK-70873-0291                         |
| 70928-2003  | .079±.010     | 30 GOLD              | YES                                           | 70982-1003; 4-40 INTERNAL THD             | PK-70873-0686                         |
| 70928-2005  | .079±.010     | 30 GOLD              | YES                                           | 70982-1004; M-3 INTERNAL THD              | PK-70873-0686                         |
| 70928-2007  | .125±.010     | 30 GOLD              | NO                                            | _____                                     | PK-70873-0291                         |
| 70928-2008  | .092±.010     | 30 GOLD              | YES                                           | 70982-1003; 4-40 INTERNAL THD             | PK-70873-0686                         |
| 70928-2009  | .092±.010     | GOLD FLASH           | NO                                            | _____                                     | PK-70873-0291                         |
| 70928-2010  | .092±.010     | GOLD FLASH           | YES                                           | 70982-1003; 4-40 INTERNAL THD             | PK-70873-0686                         |



OPTIONAL HEXAGONAL SCREWLOCK

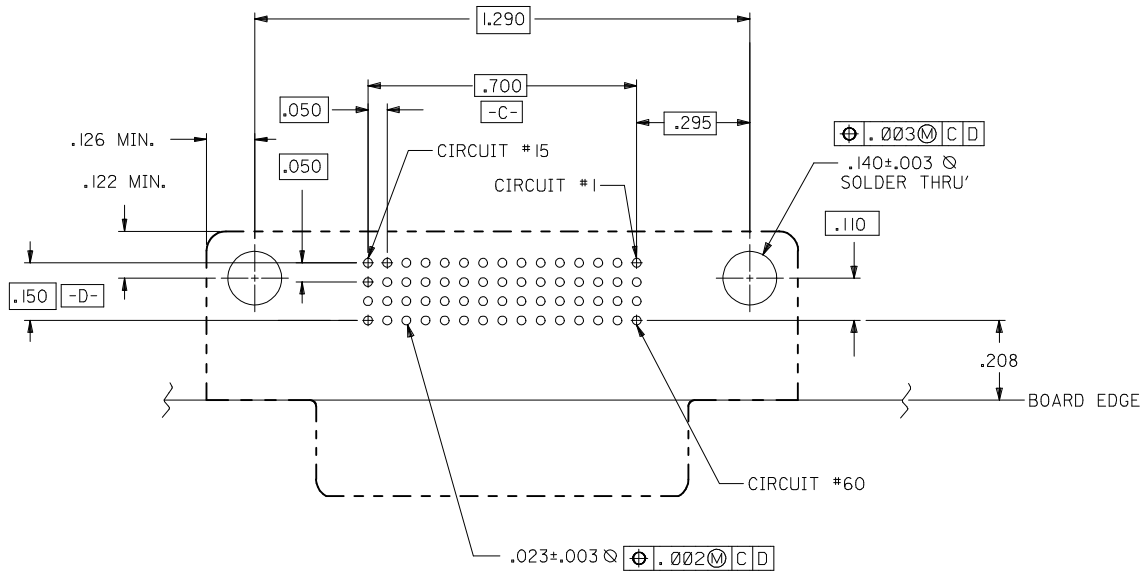


SECTION X-X

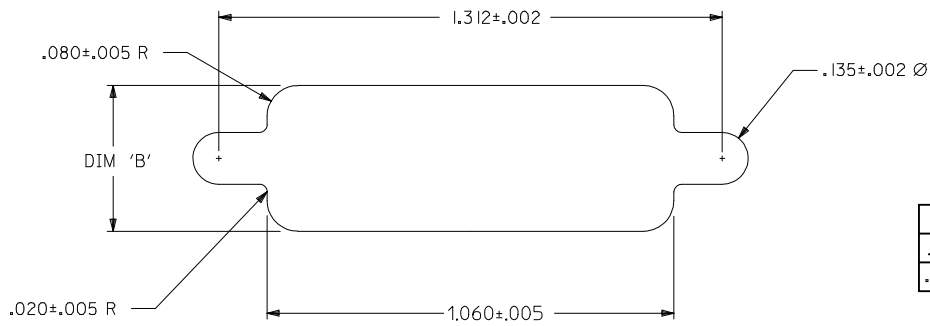
NOTES:

- MATERIALS:  
HOUSING AND MOLDED STICK: GLASS FILLED POLYMER, 94V-0, COLOR BLACK.  
TERMINALS: COPPER ALLOY .010±.0005 THICK.  
OUTER SHELL: DEEP DRAWN STEEL, .016(0.40) THICK.  
HEXAGONAL SCREWLOCK: STEEL.
- PLATING:  
TERMINALS (SEE CHART TO DETERMINE WHICH PART NUMBER HAS WHICH PLATING):  
30 GOLD -- 30 MICRONS(0.76 MICROMETERS) MINIMUM SELECTIVE GOLD (Au) IN THE CONTACT AREA;  
100 MICRONS(2.54 MICROMETERS) MINIMUM SELECTIVE TIN (Sn) IN PC TAIL AREA;  
OVER NICKEL (Ni) UNDERPLATE OVERALL.  
GOLD FLASH -- SELECTIVE GOLD (Au) FLASH IN THE CONTACT AREA;  
100 MICRONS(2.54 MICROMETERS) MINIMUM SELECTIVE TIN (Sn) IN PC TAIL AREA;  
OVER NICKEL (Ni) UNDERPLATE OVERALL.  
OUTERSHELL: 150 MICRONS(3.81 MICROMETERS) MINIMUM TIN (Sn) OVER 50 MICRONS(1.27 MICROMETERS) MINIMUM NICKEL (Ni) OVERALL.
- CONFORMS TO PRODUCT SPECIFICATION PS-70928.
- THREAD GAGE MAY REQUIRE UP TO 1 IN.-LB. OF TORQUE DURING GAGING PROCESS.
- PART COMPLIES WITH CLASS B OF COSMETIC SPECIFICATION PS-45499-002

|                                                                                                                                |                     |                                                      |        |                                                                                                                                |                 |                                                                         |                             |                        |  |
|--------------------------------------------------------------------------------------------------------------------------------|---------------------|------------------------------------------------------|--------|--------------------------------------------------------------------------------------------------------------------------------|-----------------|-------------------------------------------------------------------------|-----------------------------|------------------------|--|
| <b>MOD PANEL CUT-OUT</b><br>EC NO: UCP2012-0335<br>DRWING:MORGAN 2011/08/12<br>CHKD:MPFF 2014/04/11<br>APPR:SMILLER 2014/05/17 | QUALITY SYMBOLS<br> | GENERAL TOLERANCES (UNLESS SPECIFIED)                |        | DIMENSION STYLE INCH ONLY                                                                                                      |                 | SCALE 4:1                                                               | DESIGN UNITS INCH           | THIRD ANGLE PROJECTION |  |
|                                                                                                                                |                     | mm                                                   | INCH   | DRAWN BY MOS                                                                                                                   | DATE 1993/02/08 | .050" PITCH LFH 60 CKT<br>RIGHT ANGLE I/O<br>RECEPTACLE<br><b>molex</b> |                             |                        |  |
|                                                                                                                                |                     | 4 PLACES ± .010                                      | ± .010 | CHECKED BY CAB                                                                                                                 | DATE 1993/02/08 |                                                                         |                             |                        |  |
|                                                                                                                                |                     | 3 PLACES ± .015                                      | ± .015 | APPROVED BY CAB                                                                                                                | DATE 1993/02/08 | MATERIAL NO. SEE TABLE                                                  | DOCUMENT NO. SDA-70928-20** | SHEET NO. 1 OF 2       |  |
| 2 PLACES ± 0.25                                                                                                                | ± .015              | DRAFT WHERE APPLICABLE MUST REMAIN WITHIN DIMENSIONS |        | THIS DRAWING CONTAINS INFORMATION THAT IS PROPRIETARY TO MOLEX. INCORPORATED AND SHOULD NOT BE USED WITHOUT WRITTEN PERMISSION |                 |                                                                         |                             |                        |  |



COMPONENT SIDE  
RECOMMENDED P.C.B. LAYOUT



RECOMMENDED PANEL CUT-OUT

| DIM. 'B'  | PANEL THICKNESS |
|-----------|-----------------|
| .400±.005 | .039            |
| .420±.005 | .064            |

| <b>SEE SHEET 1</b><br>EC NO: UCP2012-0335<br>DRWINDMORGAN 2011/08/12<br>CHKD:MPOFF 2014/04/11<br>APPR:SMILLER 2014/05/12 | QUALITY SYMBOLS<br>▽=0<br>▽=0<br>▽=0                 | GENERAL TOLERANCES (UNLESS SPECIFIED)<br><table border="1"> <thead> <tr> <th></th> <th>mm</th> <th>INCH</th> </tr> </thead> <tbody> <tr> <td>4 PLACES</td> <td>±.010</td> <td>±.0004</td> </tr> <tr> <td>3 PLACES</td> <td>±.015</td> <td>±.0006</td> </tr> <tr> <td>2 PLACES</td> <td>±.025</td> <td>±.0010</td> </tr> <tr> <td>1 PLACE</td> <td>±.038</td> <td>±.0015</td> </tr> <tr> <td>0 PLACE</td> <td>±.050</td> <td>±.0020</td> </tr> </tbody> </table> |                                        | mm                          | INCH                                                                                                                          | 4 PLACES | ±.010 | ±.0004 | 3 PLACES | ±.015 | ±.0006 | 2 PLACES | ±.025 | ±.0010 | 1 PLACE | ±.038 | ±.0015 | 0 PLACE | ±.050 | ±.0020 | DIMENSION STYLE<br><b>INCH ONLY</b><br>DRAWN BY: MOS<br>DATE: 1993/02/08<br>CHECKED BY: CAB<br>DATE: 1993/02/08<br>APPROVED BY: CAB<br>DATE: 1993/02/08 | SCALE: 4:1<br>DESIGN UNITS: INCH<br>THIRD ANGLE PROJECTION | TITLE:<br><b>.050" PITCH LFH 60 CKT<br/>         RIGHT ANGLE I/O<br/>         RECEPTACLE</b><br><b>molex</b> |
|--------------------------------------------------------------------------------------------------------------------------|------------------------------------------------------|-----------------------------------------------------------------------------------------------------------------------------------------------------------------------------------------------------------------------------------------------------------------------------------------------------------------------------------------------------------------------------------------------------------------------------------------------------------------|----------------------------------------|-----------------------------|-------------------------------------------------------------------------------------------------------------------------------|----------|-------|--------|----------|-------|--------|----------|-------|--------|---------|-------|--------|---------|-------|--------|---------------------------------------------------------------------------------------------------------------------------------------------------------|------------------------------------------------------------|--------------------------------------------------------------------------------------------------------------|
|                                                                                                                          |                                                      | mm                                                                                                                                                                                                                                                                                                                                                                                                                                                              | INCH                                   |                             |                                                                                                                               |          |       |        |          |       |        |          |       |        |         |       |        |         |       |        |                                                                                                                                                         |                                                            |                                                                                                              |
|                                                                                                                          | 4 PLACES                                             | ±.010                                                                                                                                                                                                                                                                                                                                                                                                                                                           | ±.0004                                 |                             |                                                                                                                               |          |       |        |          |       |        |          |       |        |         |       |        |         |       |        |                                                                                                                                                         |                                                            |                                                                                                              |
|                                                                                                                          | 3 PLACES                                             | ±.015                                                                                                                                                                                                                                                                                                                                                                                                                                                           | ±.0006                                 |                             |                                                                                                                               |          |       |        |          |       |        |          |       |        |         |       |        |         |       |        |                                                                                                                                                         |                                                            |                                                                                                              |
| 2 PLACES                                                                                                                 | ±.025                                                | ±.0010                                                                                                                                                                                                                                                                                                                                                                                                                                                          |                                        |                             |                                                                                                                               |          |       |        |          |       |        |          |       |        |         |       |        |         |       |        |                                                                                                                                                         |                                                            |                                                                                                              |
| 1 PLACE                                                                                                                  | ±.038                                                | ±.0015                                                                                                                                                                                                                                                                                                                                                                                                                                                          |                                        |                             |                                                                                                                               |          |       |        |          |       |        |          |       |        |         |       |        |         |       |        |                                                                                                                                                         |                                                            |                                                                                                              |
| 0 PLACE                                                                                                                  | ±.050                                                | ±.0020                                                                                                                                                                                                                                                                                                                                                                                                                                                          |                                        |                             |                                                                                                                               |          |       |        |          |       |        |          |       |        |         |       |        |         |       |        |                                                                                                                                                         |                                                            |                                                                                                              |
|                                                                                                                          | DRAFT WHERE APPLICABLE MUST REMAIN WITHIN DIMENSIONS | MATERIAL NO.:<br><b>SEE TABLE</b>                                                                                                                                                                                                                                                                                                                                                                                                                               | DOCUMENT NO.:<br><b>SDA-70928-20**</b> | SHEET NO.:<br><b>2 OF 2</b> |                                                                                                                               |          |       |        |          |       |        |          |       |        |         |       |        |         |       |        |                                                                                                                                                         |                                                            |                                                                                                              |
|                                                                                                                          |                                                      | ANGULAR ±1/2°                                                                                                                                                                                                                                                                                                                                                                                                                                                   | SIZE: C                                |                             | THIS DRAWING CONTAINS INFORMATION THAT IS PROPRIETARY TO MOLEX INCORPORATED AND SHOULD NOT BE USED WITHOUT WRITTEN PERMISSION |          |       |        |          |       |        |          |       |        |         |       |        |         |       |        |                                                                                                                                                         |                                                            |                                                                                                              |