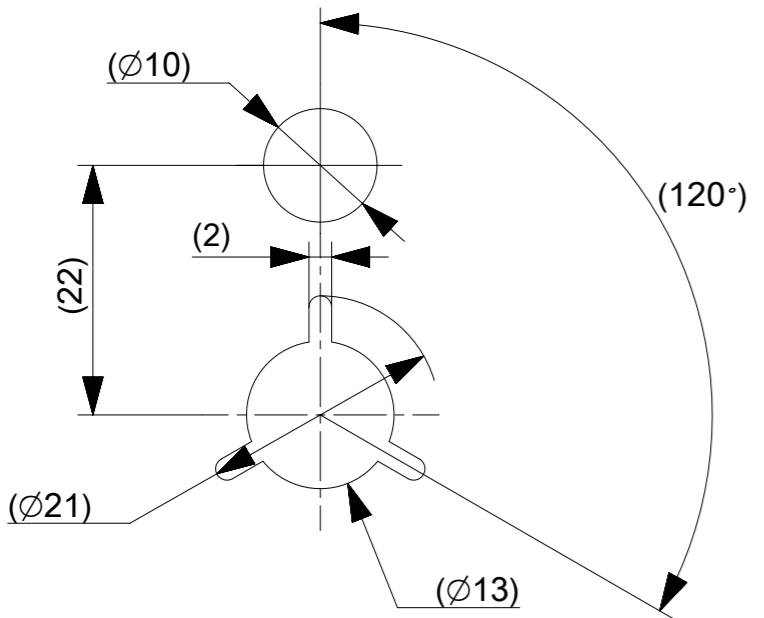
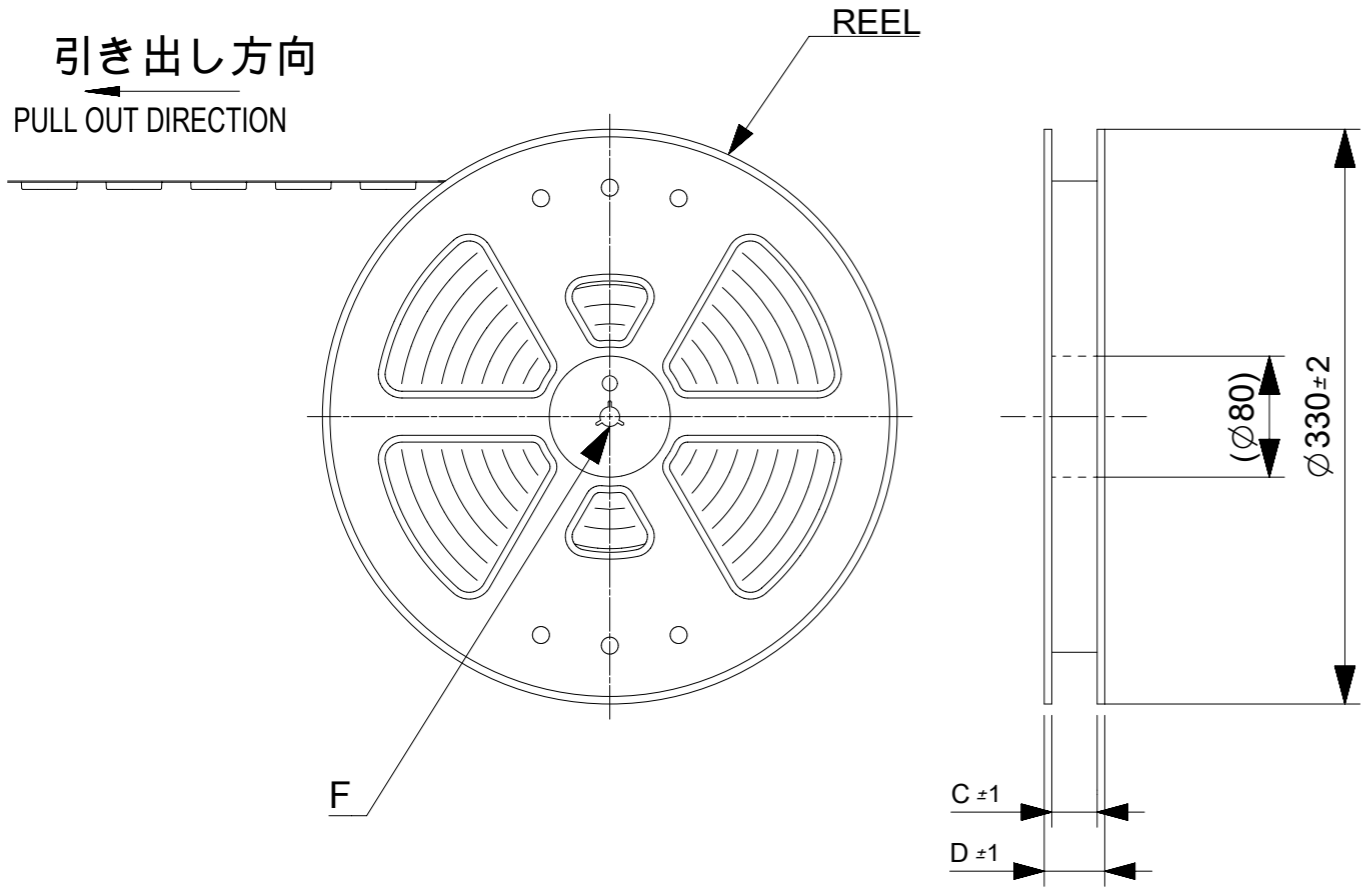


引き出し方向  
PULL OUT DIRECTION

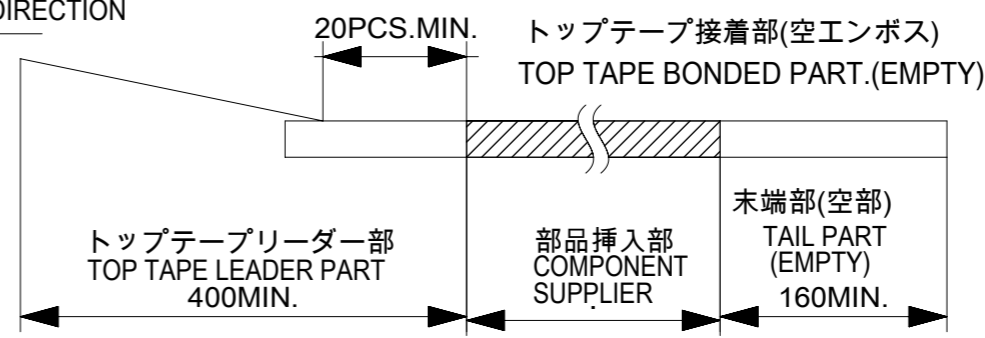


DETAIL F

NOTES

- 製品詳細寸法については製品単体図面を参照下さい。  
FOR DETAIL OF CONNECTOR DIMENSIONS, SEE PRODUCT DRAWING.
- 梱包数量 : 3000個 / リール  
NUMBER OF CONNECTORS : 3000 PCS/REEL.
- リードテープ長さ LEAD TAPE LENGTH.

引き出し方向  
PULL OUT DIRECTION

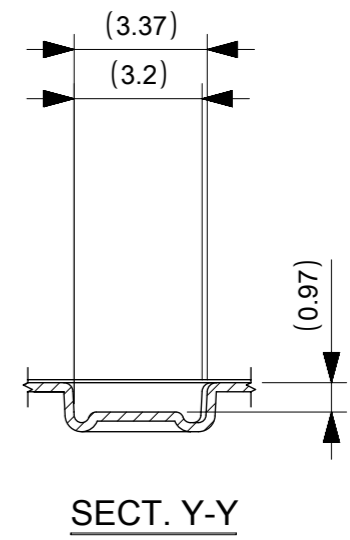
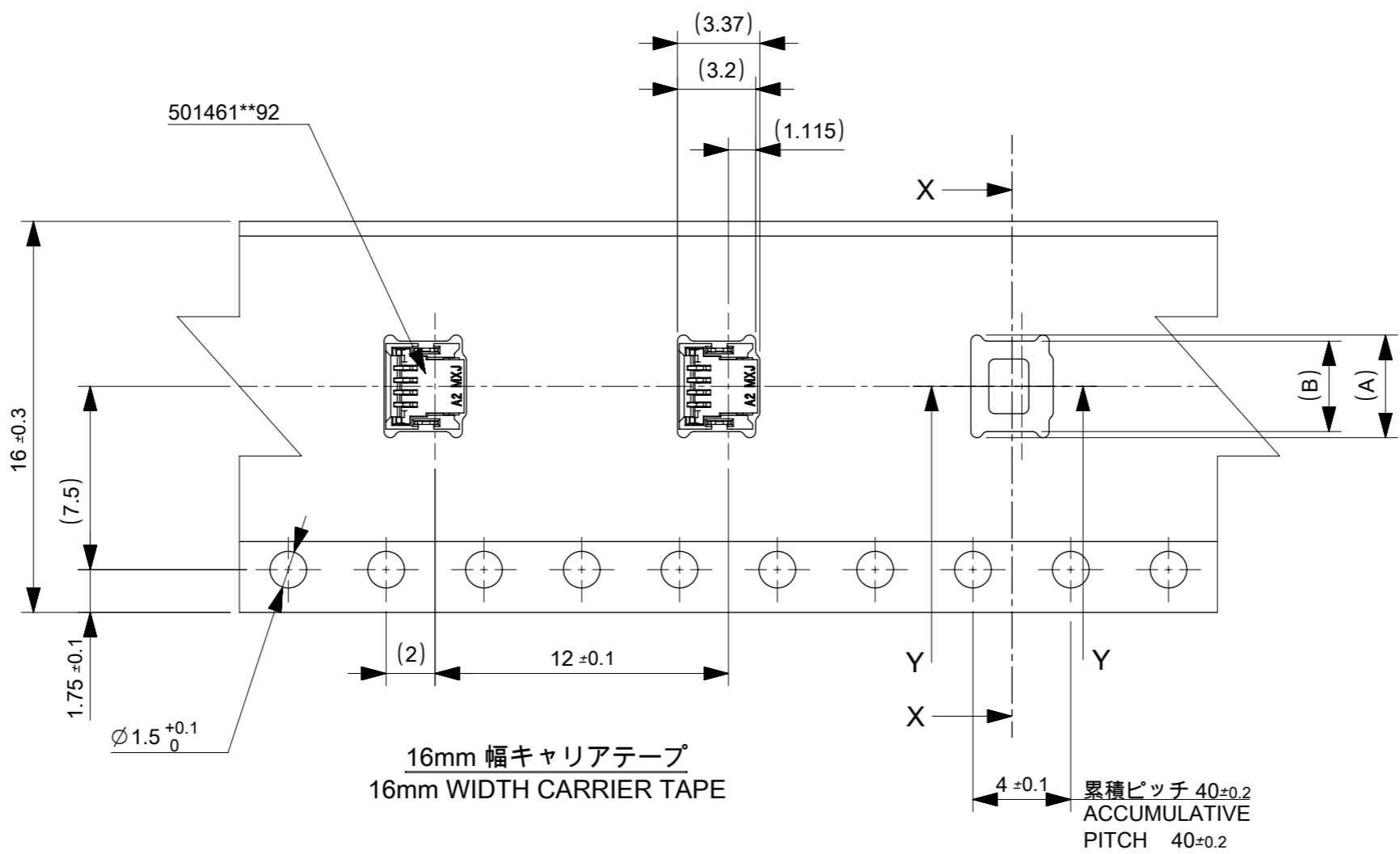
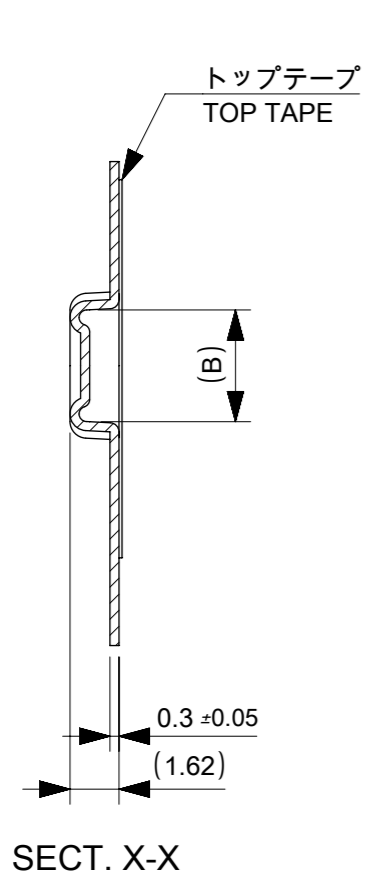


- カバーテープの剥離強度については、IEC60286-3に準拠  
COVER TAPE PEEL FORCE IS DEFINED BY IEC 60286-3.
- 材料 MATERIAL  
キャリアテープ (CARRIER TAPE): ポリスチレン (POLYSTYRENE)  
トップテープ (TOP TAPE): PET, PE, PEF  
リール (REEL) ポリスチレン (PS) <リサイクル材含む>  
POLYSTYRENE (PS) <RECYCLE MATERIAL CONTAINED>
- ELV及びRoHS適合品  
ELV AND RoHS COMPLIANT

501461\*\*91 MODEL NO.

THIS DRAWING CONTAINS INFORMATION THAT IS PROPRIETARY TO MOLEX ELECTRONIC TECHNOLOGIES, LLC AND SHOULD NOT BE USED WITHOUT WRITTEN PERMISSION									
REDRAW	EC NO: 102256	DRWN: NVELUSAMY	CHK'D: HIJIMA	APPR: YNOGAWA	2015/12/09	2015/12/24	2015/12/24	GENERAL TOLERANCES (UNLESS SPECIFIED)	
					4 PLACES	±	ANGULAR TOL ± °		DIMENSION UNITS
					3 PLACES	±			MM
					2 PLACES	±			SCALE
					1 PLACE	±			---
					0 PLACES	±			
DRAFT WHERE APPLICABLE MUST REMAIN WITHIN DIMENSIONS					DRAWING SIZE		THIRD ANGLE PROJECTION		
A					A3				
<b>molex</b>									
0.5 FPC CONN BACK FLIP H=0.8 EMBSTP PKG LOW-HALOGEN									
PRODUCT CUSTOMER DRAWING									
SERIES		MATERIAL NUMBER			CUSTOMER				
501461		SEE CHART			GENERAL				
DOCUMENT NUMBER				DOC TYPE		DOC PART		SHEET NUMBER	
5014610001				PSD		000		1 OF 2	

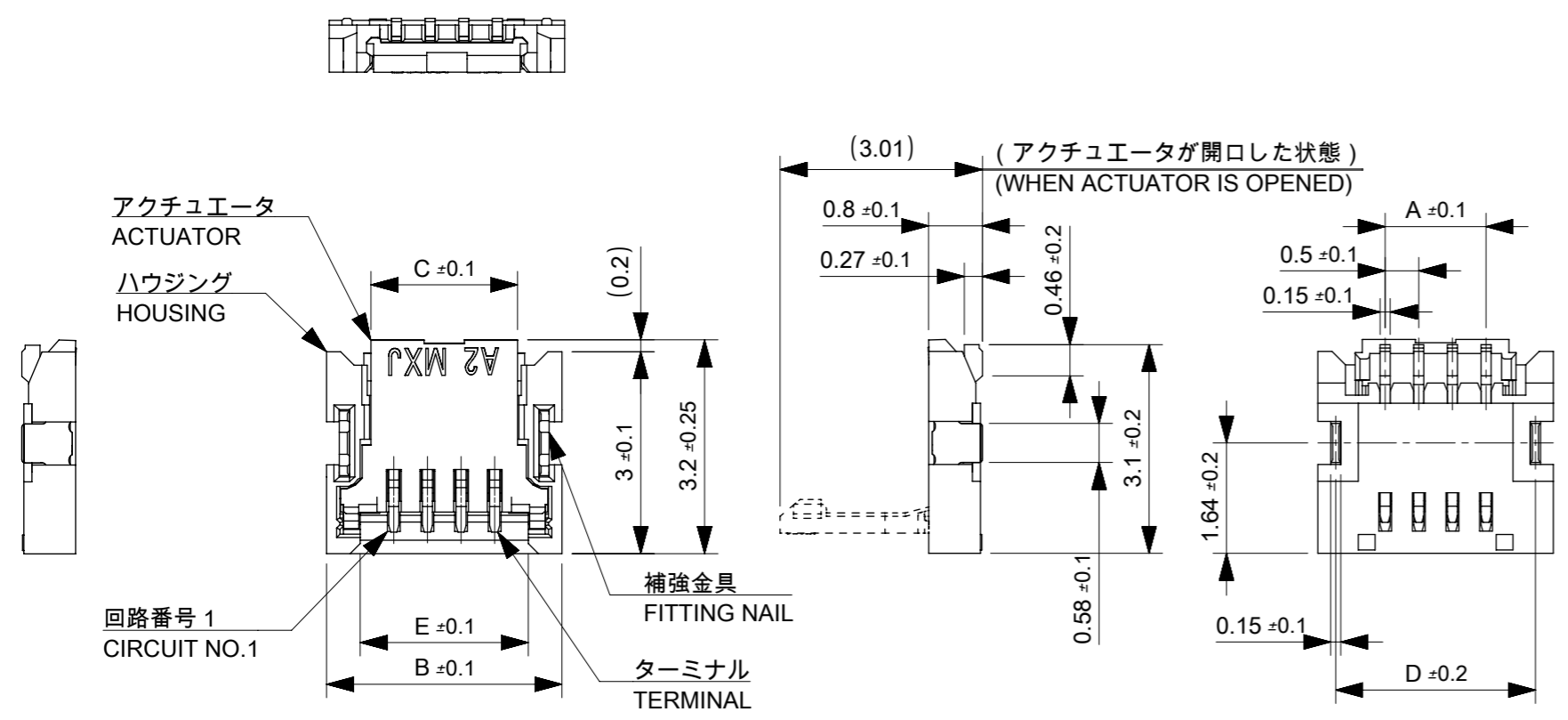
引き出し方向  
PULL OUT DIRECTION



16	21.4	17.4	5.7	6.2	5014610891	8	
			4.7	5.2	5014610691	6	
			4.2	4.7	5014610591	5	
			3.7	4.2	5014610491	4	
キャリアテープ幅 CARRIER TAPE WIDTH		D	C	(B)	(A)	EMBOSSED PACKAGE ORDER NO. オーダー番号	極数 CIRCUITS
CONNECTOR SERIES NO:501461**92							

THIS DRAWING CONTAINS INFORMATION THAT IS PROPRIETARY TO MOLEX ELECTRONIC TECHNOLOGIES, LLC AND SHOULD NOT BE USED WITHOUT WRITTEN PERMISSION

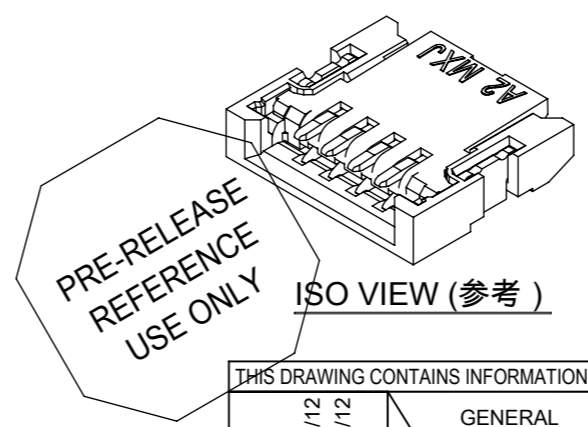
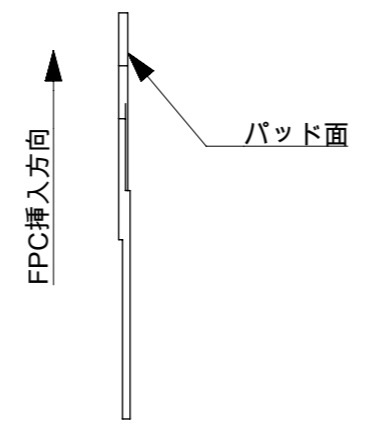
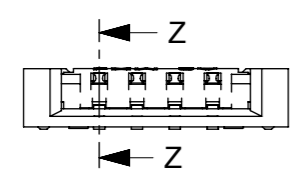
REDRAW EC NO: 102256 DRWN: NVELUSAMY CHK'D: HIJIMA APPR: YNOGAWA 2015/12/09 2015/12/24 2015/12/24	GENERAL TOLERANCES (UNLESS SPECIFIED)		DIMENSION UNITS	SCALE	
	ANGULAR TOL ± °		MM	---	
	4 PLACES ±		DRWN BY	DATE	
	3 PLACES ±		NVELUSAMY	2015/12/09	
	2 PLACES ±		CHK'D BY	DATE	
	1 PLACE ±		HIJIMA	2015/12/24	
0 PLACES ±		APPR BY	DATE	PRODUCT CUSTOMER DRAWING	
DRAFT WHERE APPLICABLE MUST REMAIN WITHIN DIMENSIONS			YNOGAWA	2015/12/24	SERIES
		DRAWING SIZE	THIRD ANGLE PROJECTION	MATERIAL NUMBER	
		A3		501461 SEE CHART	
				CUSTOMER	GENERAL
				DOCUMENT NUMBER	DOC TYPE
				5014610001	PSD
				DOC PART	000
				SHEET NUMBER	2 OF 2



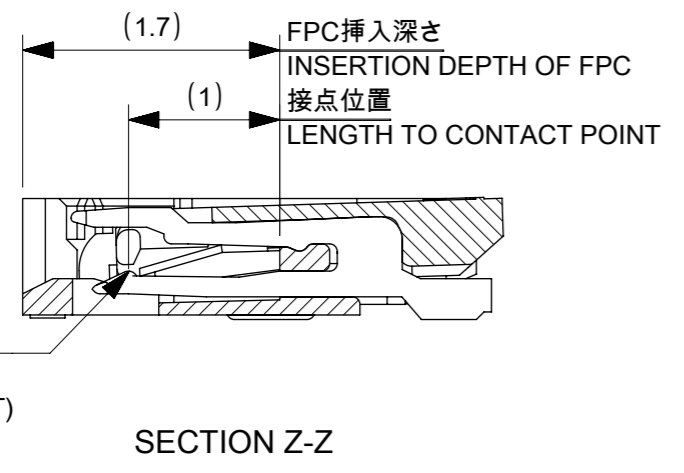
注記

NOTES:

- 材質  
MATERIAL  
ハウジング: 黒色、ポリアミド(PA46)、ガラス充填、UL94HB  
HOUSING: BLACK, POLYAMIDE, GLASS FILLED, UL94HB  
アクチュエーター: ナチュラル(白色)、ポリアミド(PA46)、ガラス充填、UL94HB  
ACTUATOR: NATURAL(WHITE), POLYAMIDE, GLASS FILLED, UL94HB  
ターミナル: リン青銅 ( t = 0.15 )  
TERMINAL: PHOSPHOR BRONZE (t=0.15)  
補強金具: リン青銅 ( t = 0.15 )  
NAIL: PHOSPHOR BRONZE (t=0.15)
- めっき仕様  
PLATING  
ターミナル: 接点部: 部分金メッキ(0.1µm以上)  
テール部: 部分金メッキ  
下地 ニッケルメッキ(1.0µm以上)  
TERMINAL: CONTACT AREA: SEPARATED GOLD PLATING (0.1 MICROMETER MINIMUM)  
SOLDER TAIL AREA: SEPARATED GOLD PLATING UNDER PLATING; NICKEL PLATING OVERALL (1.0 MICROMETER MINIMUM)  
補強金具: 錫メッキ(1.0µm以上)  
下地 ニッケルメッキ(1.0µm以上)  
FITTING NAIL: TIN PLATING 1.0 MICROMETER MINIMUM. UNDER PLATING; NICKEL PLATING OVERALL (1.0 MICROMETER MINIMUM)
- 平坦度は、0.1 mm以下とする。  
TAILS AND NAILS COPLANARITY TO BE 0.1mm MAXIMUM.
- ELV&RoHS COMPLIANT

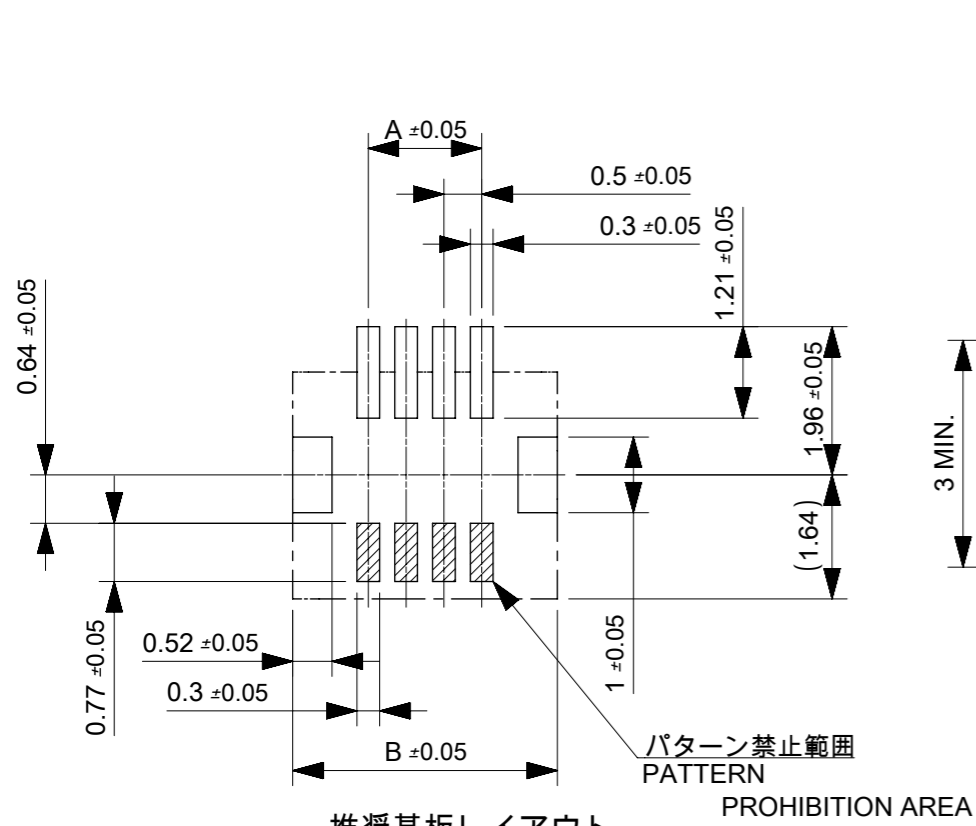


4.5	4.97	4.18	5.5	3.5	5014610891	8
3.5	3.97	3.18	4.5	2.5	5014610691	6
3.0	3.47	2.68	4.0	2.0	5014610591	5
2.5	2.97	2.18	3.5	1.5	5014610491	4
E	D	C	B	A	EMBOSSED TAPE PKG.	極数(N)
ORDER NO. オーダー番号						CIRCUITS(N)
CONNECTOR NO.						5014610492

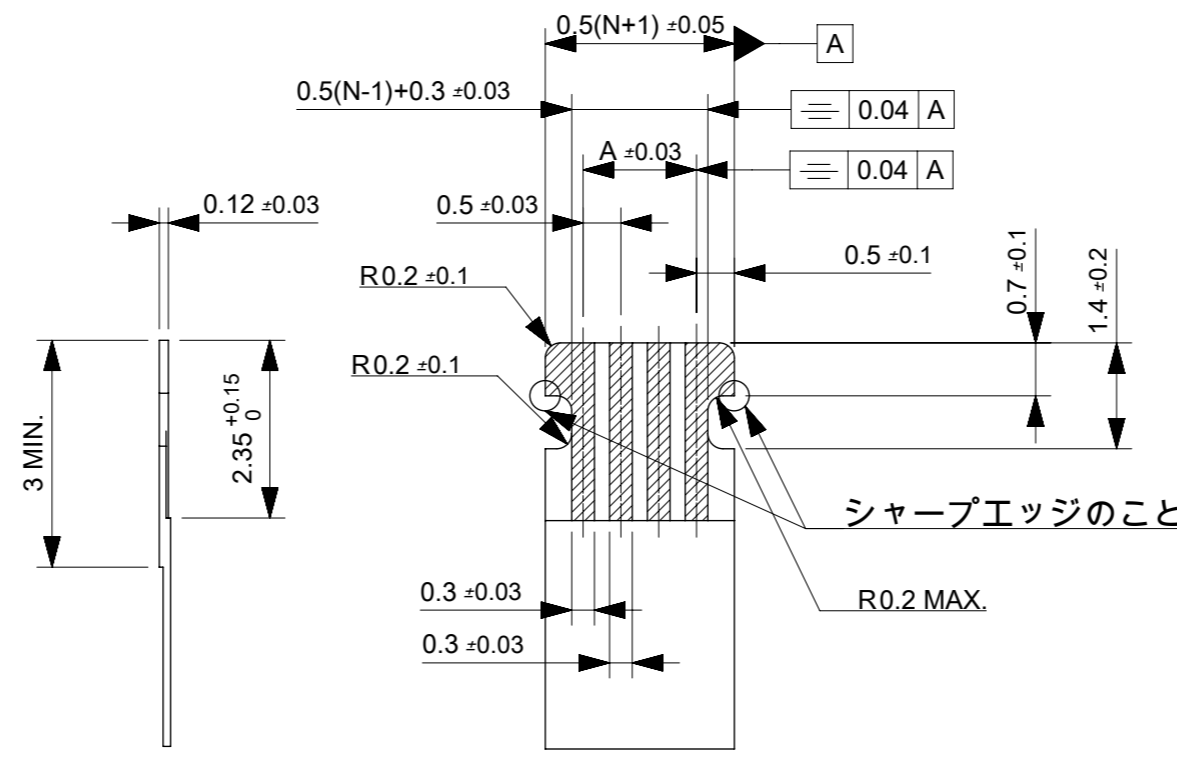


THIS DRAWING CONTAINS INFORMATION THAT IS PROPRIETARY TO MOLEX ELECTRONIC TECHNOLOGIES, LLC AND SHOULD NOT BE USED WITHOUT WRITTEN PERMISSION

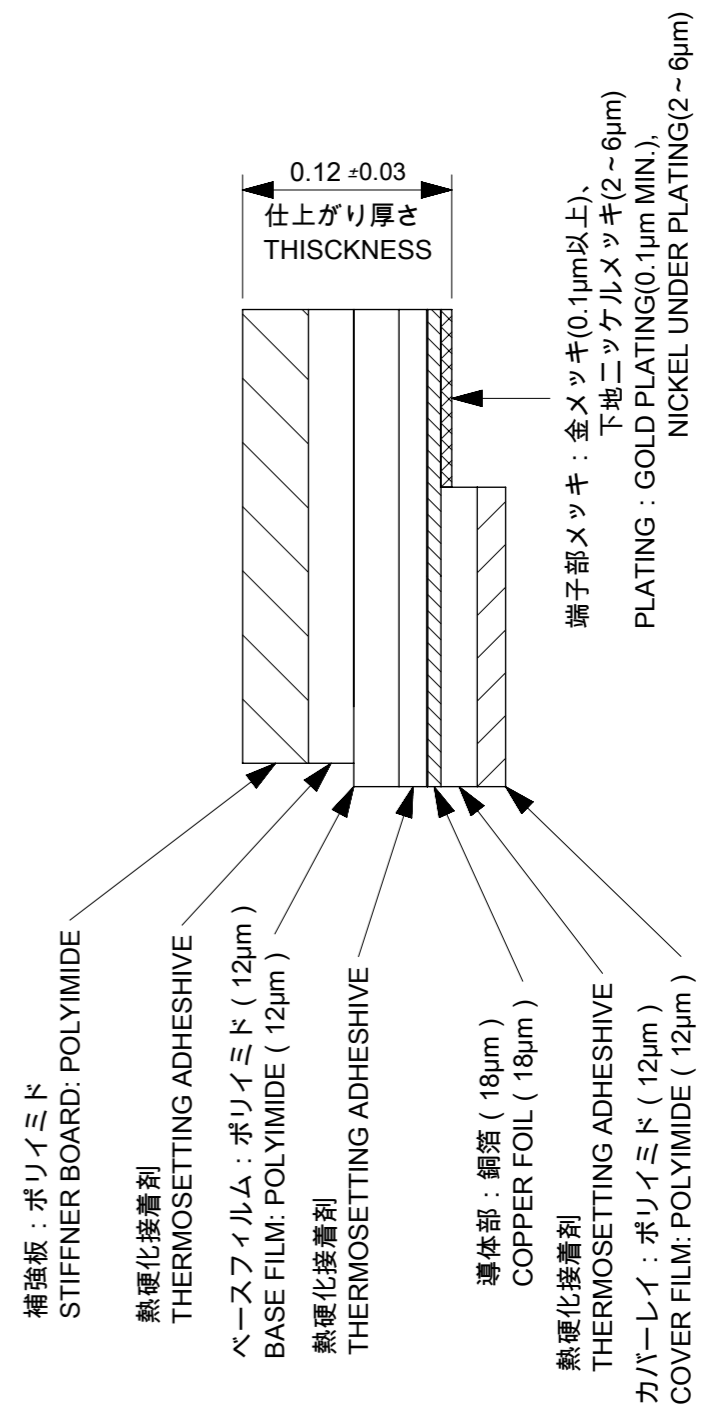
REVISED EC NO: 102468 DRWN: MTAKAHASHI04 CHK'D: KTAKAHASHI APPR:	2016/01/12	2016/01/12	GENERAL TOLERANCES (UNLESS SPECIFIED)	DIMENSION UNITS	SCALE	<b>molex</b>			
	4 PLACES	±		MM	10:1				
	3 PLACES	±		DRWN BY	DATE				
	2 PLACES	±		NVELUSAMY	2015/12/09				
1 PLACE	±	CHK'D BY	DATE	PRODUCT CUSTOMER DRAWING					
0 PLACES	±	HIIJIMA	2015/12/24	DRAWING SIZE	THIRD ANGLE PROJECTION	SERIES	MATERIAL NUMBER	CUSTOMER	
DRAFT WHERE APPLICABLE MUST REMAIN WITHIN DIMENSIONS		A3	A3		501461		SEE CHART	GENERAL	
REV		B	A3		DOCUMENT NUMBER		DOC TYPE	DOC PART	SHEET NUMBER
					5014611004		PSD	000	1 OF 2



推奨基板レイアウト  
**RECOMMENDED P.C. BOARD PATTERN LAYOUT**  
 マスク厚 : 120μm  
 マスク開口率 : 100%  
 SCREEN THICKNESS : 120μm  
 SCREEN OPEN RATIO : 100%



適合金メッキFPC推奨寸法  
**APPLICABLE FPC OF GOLD PLATING RECOMMENDED DIMENSION**  
 仕上がり厚さ : 0.12±0.03  
 THICKNESS : 0.12+0.03/-0.03



補強板 : ポリイミド  
 STIFFNER BOARD: POLYIMIDE  
 熱硬化接着剤  
 THERMOSETTING ADHESIVE  
 ベースフィルム : ポリイミド ( 12μm )  
 BASE FILM: POLYIMIDE ( 12μm )  
 熱硬化接着剤  
 THERMOSETTING ADHESIVE  
 導体部 : 銅箔 ( 18μm )  
 COPPER FOIL ( 18μm )  
 熱硬化接着剤  
 THERMOSETTING ADHESIVE  
 カバーレイ : ポリイミド ( 12μm )  
 COVER FILM: POLYIMIDE ( 12μm )

端子部メッキ : 金メッキ (0.1μm以上)、  
 下地ニッケルメッキ (2~6μm)  
 PLATING : GOLD PLATING (0.1μm MIN.),  
 NICKEL UNDER PLATING (2~6μm)

FPCについて :  
 抜き方向は、導体側から補強板側を推奨します。  
 補強フィルム材質は、ポリイミドを推奨します。  
 接着剤は、熱硬化接着剤を推奨します。  
 尚、接着剤の接点部への付着は、導通不良の原因となりますので染み出しが無いよう、お願いします。

ABOUT FPC :  
 RECOMMENDED PUNCHER DIRECTION :  
 FROM CONDUCTOR SIDE TO STIFFNER FILME SIDE.  
 RECOMMENDED MATERIAL :  
 STIFFNER FILME : POLYIMIDE  
 BONDING AGENT : THRMOSETTING AGENT  
 PLEASE PUT APPROPRIATE AMOUNT OF ADHESIVE MAY CAUSE  
 THE DEFECT IN ELECTRICAL CONTINUITY.

PRE-RELEASE  
 REFERENCE  
 USE ONLY

THIS DRAWING CONTAINS INFORMATION THAT IS PROPRIETARY TO MOLEX ELECTRONIC TECHNOLOGIES, LLC AND SHOULD NOT BE USED WITHOUT WRITTEN PERMISSION

REVISED	2016/01/12	2016/01/12	GENERAL TOLERANCES (UNLESS SPECIFIED)	DIMENSION UNITS	SCALE	<b>molex</b>		
	EC NO: 102468	DRWN: MTAKAHASHI04		CHK'D: KTAKAHASHI	MM		10:1	
	4 PLACES	±		DRWN BY	DATE		NVELUSAMY 2015/12/09	
	3 PLACES	±		CHK'D BY	DATE		HIIJIMA 2015/12/24	
2 PLACES	±	APPR BY	DATE	YNOGAWA 2015/12/24	PRODUCT CUSTOMER DRAWING			
1 PLACE	±	DRAFT WHERE APPLICABLE	MUST REMAIN WITHIN DIMENSIONS	DRAWING SIZE	THIRD ANGLE PROJECTION	SERIES	MATERIAL NUMBER	CUSTOMER
0 PLACES	±	A3		501461	SEE CHART	GENERAL		
REV	APP			DOCUMENT NUMBER	DOC TYPE	DOC PART	SHEET NUMBER	
B				5014611004	PSD	000	2 OF 2	