

注) NOTES

1. 材質 MATERIAL
 ハウジング : ガラス入りPPS、茶色、UL94V-0
 HOUSING: G.F.PPS, BROWN, UL94V-0
 ターミナル : 銅合金 (t=0.2)
 TERMINAL: COPPER ALLOY

2. メッキ仕様 PLATING
 接点部 : 金メッキ 0.25 µmMIN.
 CONTACT AREA: GOLD 0.25 µmMIN.
 半田付け部 : 錫メッキ 1.0 µmMIN.
 SOLDER TAIL AREA: TIN 1.0 µmMIN.
 下地メッキ : ニッケルメッキ 1.5 µmMIN.
 UNDER-PLATING: NICKEL 1.5 µmMIN.

7 mm	52760-***0
基板間寸法 STACKING HEIGHT	嵌合相手 TO BE MATED WITH

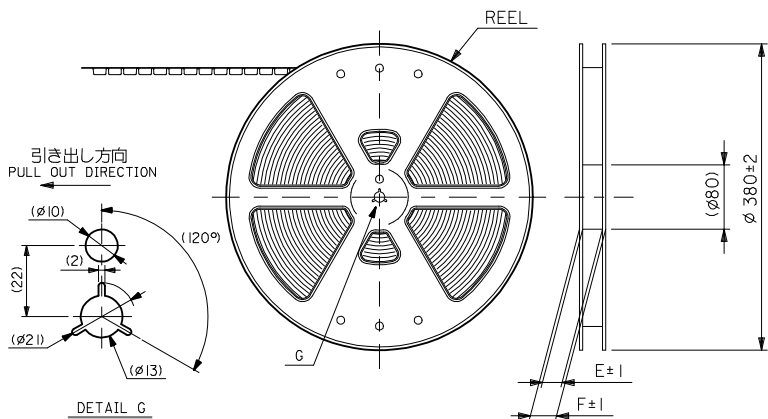
3. テールのバラツキ寸法 TAIL COPLANARITY
 テール平坦度は 0.1MAX. とする。
 TAIL COPLANARITY TO BE 0.1 MAX.

4. エンボス対応済みの極数については、SD-53481-002を参照下さい。
 FOR THE EMBOSSED PACKAGE PRODUCTS, SEE SD-53481-002.

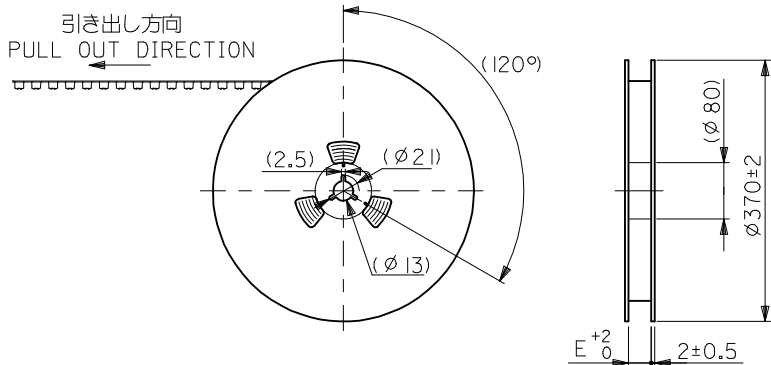
5. 本製品は53481-***7の鉛フリー品である。
 THIS PRODUCT IS LEAD FREE OF 53481-***7.

無し NO	34.72	38.62	33.62	31.15	53481-1068	53481-1067	100
有り YES	22.02	25.92	20.92	18.415	53481-0668	53481-0667	60
	18.85	22.75	17.75	15.24	53481-0568	53481-0567	50
	15.67	19.57	14.57	12.065	53481-0468	53481-0467	40

REVISED EC NO: J2009-0643 DRWN: MAKURAA 2008/11/26 CHKD: T. HARUYAMA 2008/11/26 APPR: NUKITA 2009/01/08	DESCRIPTION	GENERAL TOLERANCES (UNLESS SPECIFIED)		MODEL NO.	53481-***67	ハウジングロック HS'G LOCK	D	C	B	A	エンボス梱包 EMBOSSED PACKAGING	製品番号 MATERIAL NO.	極数 CKT. NO.
		10 UNDER ±0.2		DIMENSION STYLE		SCALE		DESIGN UNITS		THIRD ANGLE PROJECTION			
		10 OVER 30 UNDER ±0.25		MM ONLY		4:1		METRIC		0.635 PITCH B-T0-B S/T PLUG HSG ASSY -LEAD FREE-			
		30 OVER ±0.3		DRAWN BY DATE		DATE		TITLE		MOLEX MOLEX INCORPORATED			
ANGULAR ±3 °		CHECKED BY DATE		DATE		MATERIAL NO.		DOCUMENT NO.		SHEET NO.			
DRAFT WHERE APPLICABLE MUST REMAIN WITHIN DIMENSIONS		APPROVED BY DATE		DATE		SEE TABLE		SD-53481-001		1 OF 1			
SIZE A3		THIS DRAWING CONTAINS INFORMATION THAT IS PROPRIETARY TO MOLEX INCORPORATED AND SHOULD NOT BE USED WITHOUT WRITTEN PERMISSION											



キャリアテープ幅：24mm～56mm
CARRIER TAPE WIDTH : 24mm-56mm



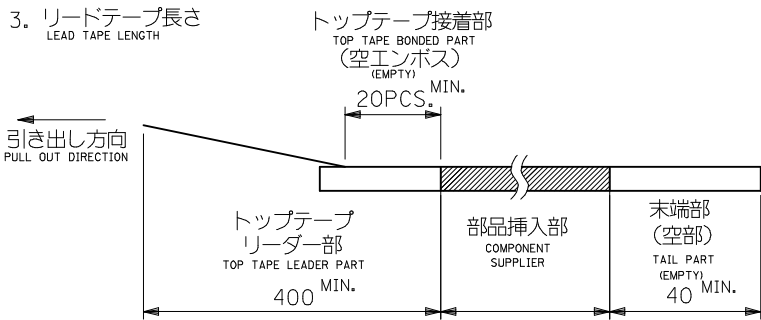
キャリアテープ幅：72mm～104mm
CARRIER TAPE WIDTH : 72mm-104mm

注) NOTES

1. 製品番号 53481-***67 の詳細寸法については、SD-53481-001 を参照下さい。
IN THE PACKAGE , PART NO.53481-***67 DETAILED DIMENSIONS , SEE SD-53481-001.

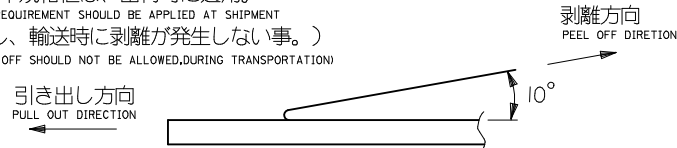
2. 梱包数量 : NUMBER OF CONNECTORS :

CIRCUITS	NUMBER
OTHERS	1000 PCS/REEL
240	800 PCS/REEL



4. トップテープの剥離強度 (剥離方向は下図参照)
PEELING OFF FORCE OF TOP TAPE (PEELING DIRECTION AS SHOWN IN FOLLOWING FIG.)
0.1~1. 3N {10~130gf} : キャリアテープ幅 24mm~104mm
0.1~1.3N {10~130gf} : キャリアテープ幅 72mm~104mm

尚、本規格値は、出荷時に適用。
THIS REQUIREMENT SHOULD BE APPLIED AT SHIPMENT
(但し、輸送時に剥離が発生しない事。)
(PEEL OFF SHOULD NOT BE ALLOWED,DURING TRANSPORTATION)

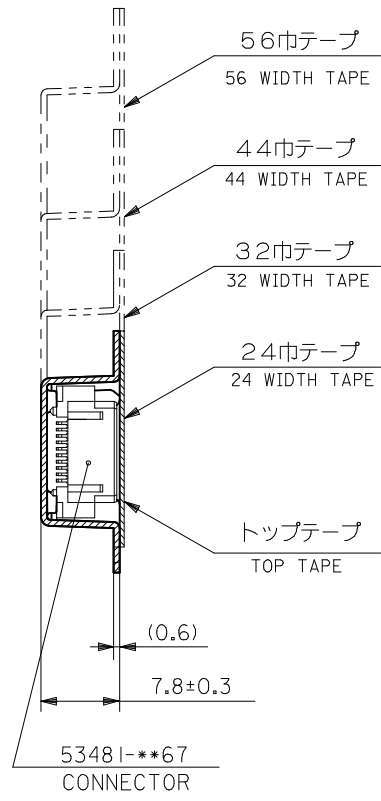
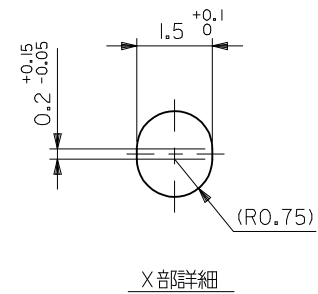
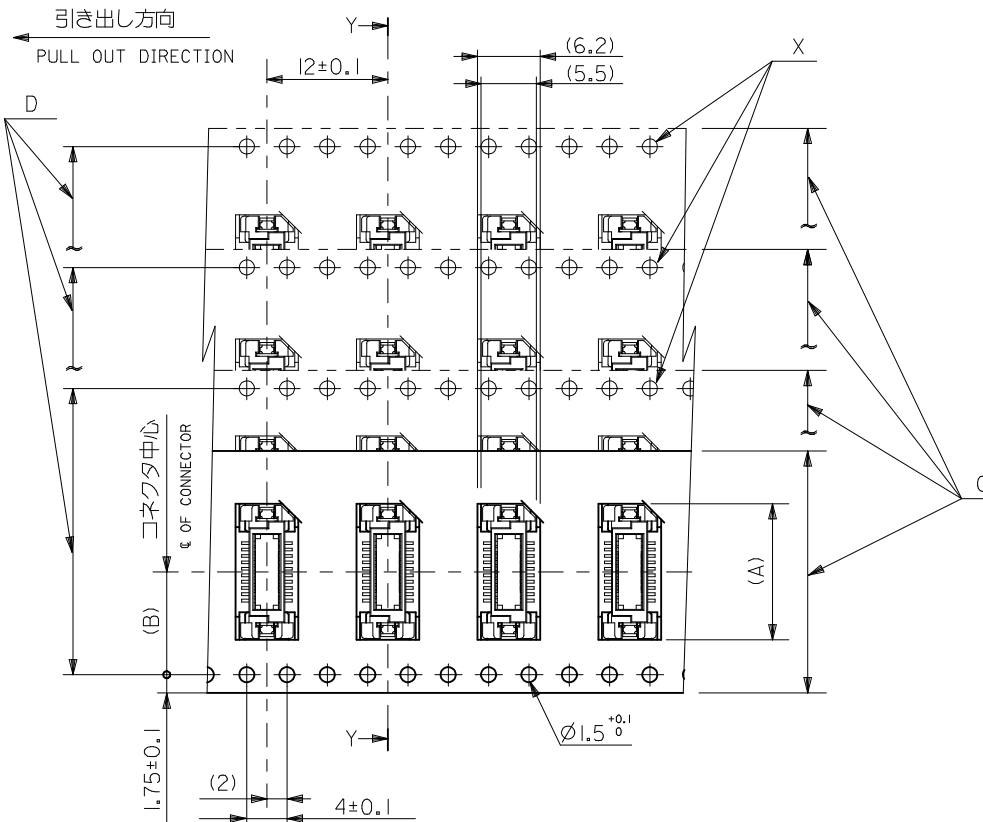


5. 材料 MATERIAL
キャリアテープ : ポリプロピレン (PP)
CARRIER TAPE : POLYPROPYLENE (PP)
トップテープ : PET, PE, PEF
TOP TAPE : PET, PE, PEF
リール : キャリアテープ幅 24mm~56mm : ポリスチレン
CARRIER TAPE WIDTH 24mm-56mm : POLYSTYRENE
キャリアテープ幅 72mm~104mm : 紙
CARRIER TAPE WIDTH 72mm-104mm : CARD BOARD

6. 本製品は53481-***8の鉛フリー品である。
THIS PRODUCT IS LEAD FREE OF 53481-***8.

53481-***68
MODEL NO.

GENERAL TOLERANCES (UNLESS SPECIFIED)		DIMENSION STYLE MM ONLY		SCALE ---	DESIGN UNITS METRIC	THIRD ANGLE PROJECTION
10 UNDER	± ---	DRAWN BY H. KAWABATA	DATE '04/03/08	TITLE 53481-***87 TAPING PACKAGE -LEAD FREE-		
10 OVER 30 UNDER	± ---	CHECKED BY K. TOJO	DATE '04/03/08	MOLEX INCORPORATED		
30 OVER	± ---	APPROVED BY M. SASAO	DATE '04/03/08	DOCUMENT NO. SD-53481-002		
ANGULAR	± --- °	MATERIAL NO. SEE TABLE		SHEET NO. 1 OF 2		
DRAFT WHERE APPLICABLE MUST REMAIN WITHIN DIMENSIONS		THIS DRAWING CONTAINS INFORMATION THAT IS PROPRIETARY TO MOLEX INCORPORATED AND SHOULD NOT BE USED WITHOUT WRITTEN PERMISSION				



断面 Y-Y
SECTION Y-Y

累積ピッチ : 40±0.2
ACCUMULATIVE PITCH : 40±0.2

61.4	57.4	52.4	56 ^{+0.3}	26.2	38.9	53481-1068	100
49.4	45.4	40.4	44 ^{+0.3}	20.2	26.2	53481-0668	60
37.4	33.4	28.4	32 ^{+0.3}	14.2	23.1	53481-0568	50
F	E	D	C キャリアテープ幅 CARRIER TAPE WIDTH	(B)	(A)	MATERIAL NO.	極数 NO. OF CTS.
						MODEL NO.	53481-**68

REVISED EC NO: J2009-0643 DRWN: MAKURAA 2008/11/26 CHKD: T. HARUYAMA 2008/11/26 APPR: NUKITA 2009/01/08	GENERAL TOLERANCES (UNLESS SPECIFIED)		DIMENSION STYLE MM ONLY		SCALE ---	DESIGN UNITS METRIC		THIRD ANGLE PROJECTION	
	10 UNDER	± ---	DRAWN BY H. KAWABATA	DATE '04/03/08	TITLE 53481-**87 TAPING PACKAGE -LEAD FREE-				
	10 OVER 30 UNDER	± ---	CHECKED BY K. TOJO	DATE '04/03/08	MOLEX INCORPORATED				
	30 OVER	± ---	APPROVED BY M. SASAO	DATE '04/03/08	DOCUMENT NO. SD-53481-002		SHEET NO. 2 OF 2		
ANGULAR ± --- °		DRAFT WHERE APPLICABLE MUST REMAIN WITHIN DIMENSIONS		SEE TABLE		THIS DRAWING CONTAINS INFORMATION THAT IS PROPRIETARY TO MOLEX INCORPORATED AND SHOULD NOT BE USED WITHOUT WRITTEN PERMISSION			