

注記 NOTES

1. 使用材料 MATERIAL

ハウジング : 液晶ポリマー (LCP) UL94V-0 (黒)
 HOUSING: LIQUID CRYSTAL POLYMER UL94V-0 (COLOR:BLACK)

ターミナル : 銅合金
 TERMINAL : COPPER ALLOY

金具 : 銅合金
 FITTING NAIL : COPPER ALLOY

2. メッキ仕様 PLATING

ターミナル TERMINAL

コンタクト部 : 金メッキ 0.1マイクロメートル以上
 CONTACT AREA : GOLD 0.1 MICROMETER MINIMUM.

テール部 : 金メッキ
 SOLDER TAIL AREA : GOLD

下地メッキ : ニッケルメッキ 1.0マイクロメートル以上
 UNDER PLATING : NICKEL 1.0 MICROMETER MINIMUM.

※コンタクト部とテール部はニッケルメッキによって分断されている金メッキです。
 DIVIDE INTO PARTS THE GOLD PLATING OF THE CONTACT AND THE TAIL PART BY THE NICKEL PLATING.

金具 FITTING NAIL

錫メッキ : 1.0マイクロメートル以上
 Tin PLATING : 1.0 MICROMETER MINIMUM.

下地メッキ : ニッケルメッキ 1.0マイクロメートル以上
 UNDER PLATING : NICKEL 1.0 MICROMETER MINIMUM.

△ (全極数 / 2) = 偶数の場合に適用。
 APPLY FOR (CIRCUIT/2)=EVEN.

4. 嵌合相手 : 503308 シリーズ
 MATE WITH : 503308 SERIES.

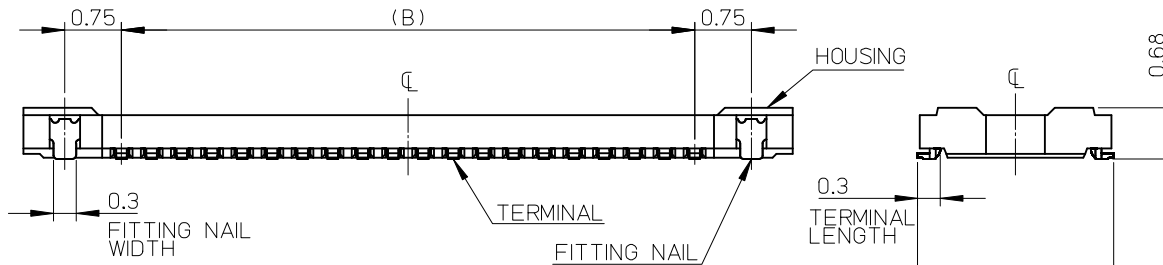
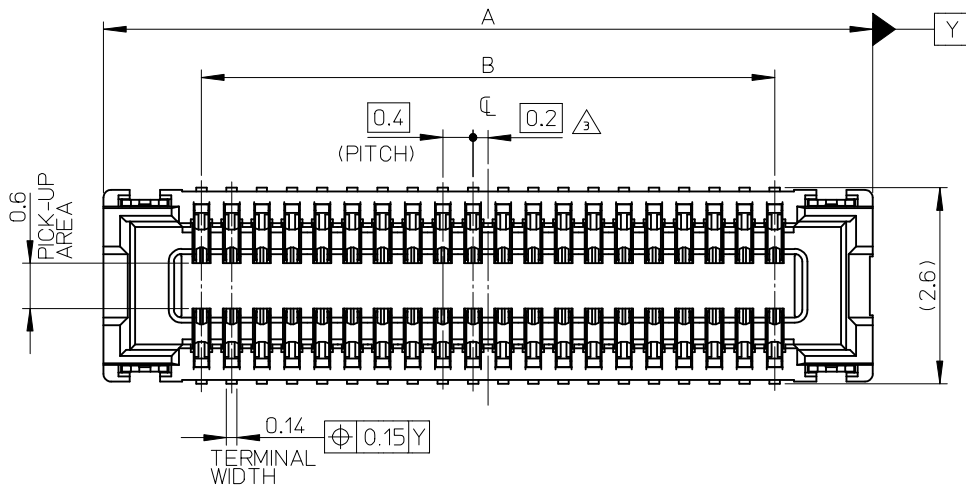
5. テール平坦度は、0.08 以下

テール及び金具の平坦度は、0.1 以下
 TAIL COPLANARITY TO BE 0.08MAXIMUM.
 TAIL AND FITTING NAIL COPLANARITY TO BE 0.1MAXIMUM.

6. ELV 及び RoHS COMPLIANT.

△ パターン及び半田禁止エリア
 (当該箇所においては、これと接する回路以外の配線を禁止する。
 また、接する回路を配線する場合はレジストを施し、
 この部分に半田は無きこととする。)

PROHIBITED AREA OF PATTERN WIRING AND SOLDER.
 (FOR EACH AREA, THE WIRING THAT TOUCHES
 ON THE SOLDER CAN BE ATTACHED, THEN COVERD
 WITH A FILM TO KEEP SOLDER OUT.)



11.6	14.2	503304-6040	○	60
9.6	12.2	503304-5040	○	50
8.4	11.0	503304-4440	○	44
8.0	10.6	503304-4240	○	42
7.6	10.2	503304-4040	○	40
5.6	8.2	503304-3040	○	30
4.8	7.4	503304-2640	○	26
4.4	7.0	503304-2440	○	24
3.6	6.2	503304-2040	○	20
3.2	5.8	503304-1840	○	18
2.8	5.4	503304-1640	○	16
2.0	4.6	503304-1240	○	12
B	A	EMBOSSD PACKAGE オーダー番号 ORDER No.	HIGH VOL. TOOL SAMPLE PREPARATION	極数 CIRCUITS
CONNECTOR SERIES No. : 503304-***9				

REVISED EC NO: J2014-1214 DRWN: TARAI01 2014/01/31 CHKD: TASAKAWA 2014/01/31 APPR: KMORIKAWA 2014/02/03	GENERAL TOLERANCES (UNLESS SPECIFIED)		DIMENSION STYLE MM ONLY		SCALE 15:1	DESIGN UNITS METRIC	THIRD ANGLE PROJECTION
	10 UNDER	±0.2	DRAWN BY MKATO	DATE 2013/07/23	TITLE 0.4 B-TO-B CONN. HGT=0.7 W=2.6 REC. ASS'Y		
	10 OVER 30 UNDER	±0.25	CHECKED BY TASAKAWA	DATE 2013/07/23			
	30 OVER	±0.3	APPROVED BY KMORIKAWA	DATE 2013/10/21			
REV B	DESCRIPTION	ANGULAR ±3 °	MATERIAL NO.	SEE CHART	DOCUMENT NO.	SD-503304-006	SHEET NO. 1 OF 2
		DRAFT WHERE APPLICABLE MUST REMAIN WITHIN DIMENSIONS		THIS DRAWING CONTAINS INFORMATION THAT IS PROPRIETARY TO MOLEX INCORPORATED AND SHOULD NOT BE USED WITHOUT WRITTEN PERMISSION			

10 9 8 7 6 5 4 3 2 1

F

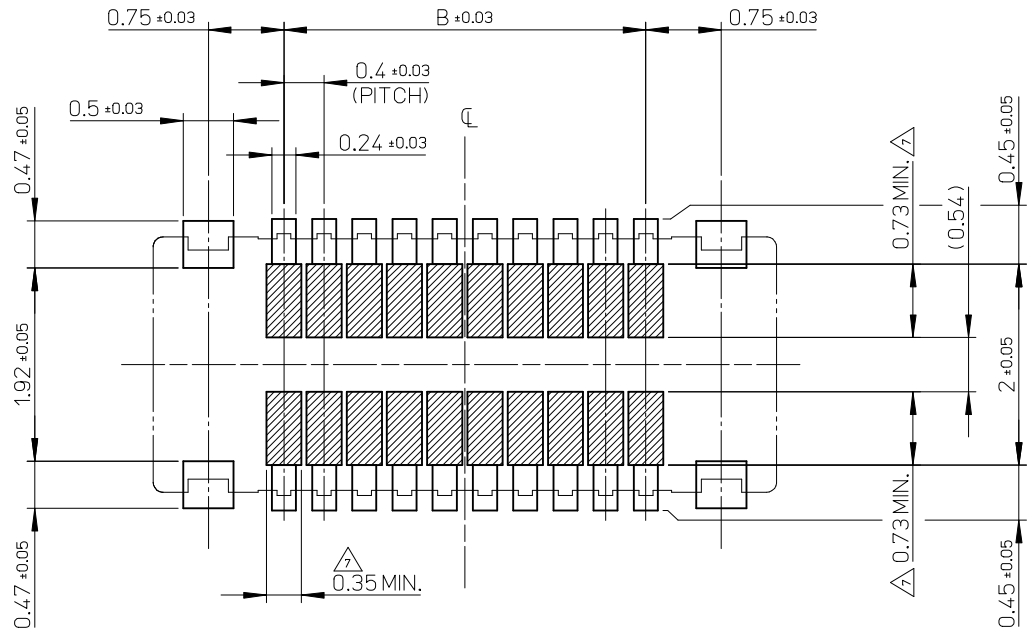
E

D

C

B

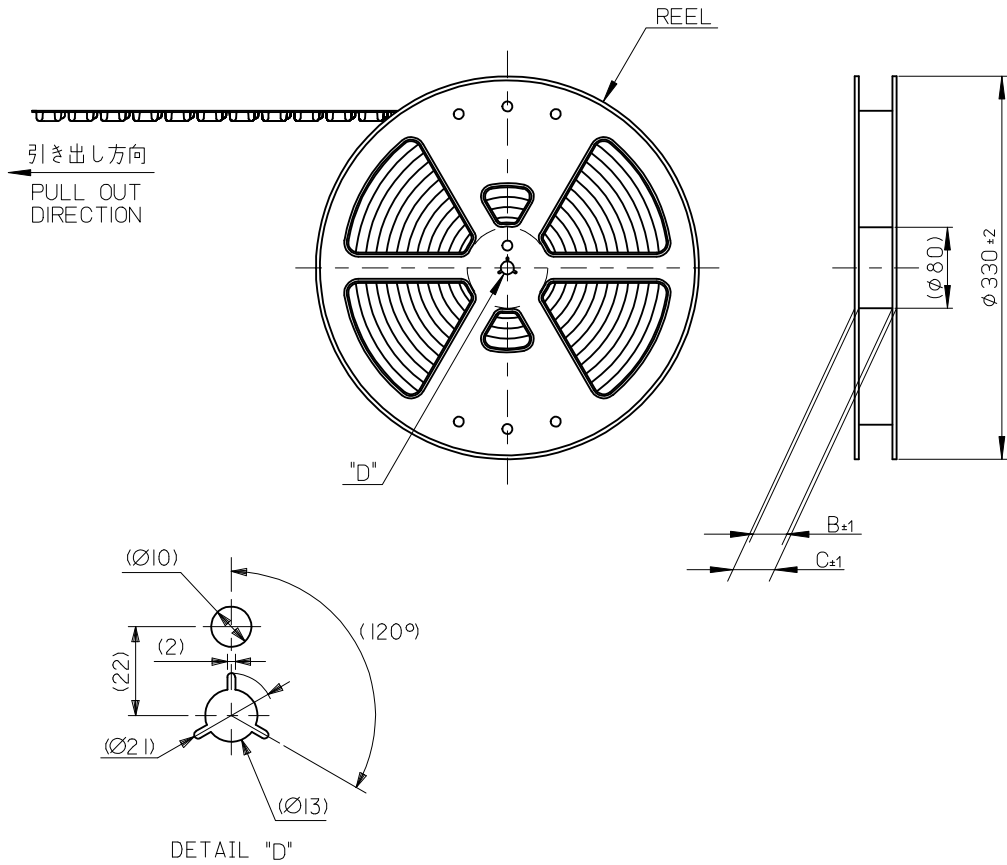
A



RECOMMENDED P.W.BOARD PATTERN LAYOUT(REFERENCE)
 RECOMMENDED THICKNESS OF METAL MASK : t=0.1mm
 RECOMMENDED OPEN APERTURE RATIO OF METAL MASK : 100%

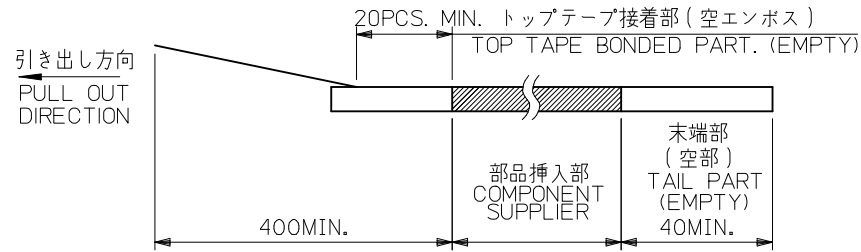
REVISED EC NO: J2014-1214 DRWN: TARA101 2014/01/31 CHKD: TASAKAWA 2014/01/31 APPR: KMORIKAWA 2014/02/03	GENERAL TOLERANCES (UNLESS SPECIFIED)		DIMENSION STYLE MM ONLY	SCALE 20:1	DESIGN UNITS METRIC	THIRD ANGLE PROJECTION	
	10 UNDER ± 0.2	10 OVER 30 UNDER ± 0.25	DRAWN BY MKATO	DATE 2013/07/23	TITLE 0.4 B-TO-B CONN. HGT=0.7 W=2.6 REC. ASS'Y		
	30 OVER ± 0.3	ANGULAR ± 3 °	CHECKED BY TASAKAWA	DATE 2013/07/23	APPROVED BY KMORIKAWA		
	DRAFT WHERE APPLICABLE MUST REMAIN WITHIN DIMENSIONS		MATERIAL NO. SEE CHART	DOCUMENT NO. SD-503304-006	SHEET NO. 2 OF 2		

9 8 7 6 5 4 3 2

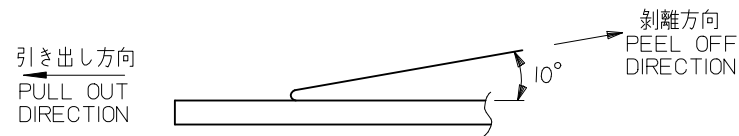


注記 NOTES

- 製品詳細寸法については製品単体図面を参照下さい。
RE DETAILED DIMENSION, SEE PRODUCT DRAWING.
- 梱包数量: 3000 個/リール
NUMBER OF CONNECTORS : 3000PCS/REEL
- リードテープ長さ LEAD TAPE LENGTH

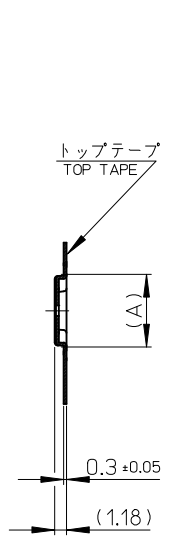


- カバーテープの剥離強度については、IEC60286-3に準拠
(剥離方向は下図参照)
COVER TAPE PEEL FORCE IS DEFINED BY IEC 60286-3.
(PEELING DIRECTION AS SHOWN IN FOLLOWING FIG.)

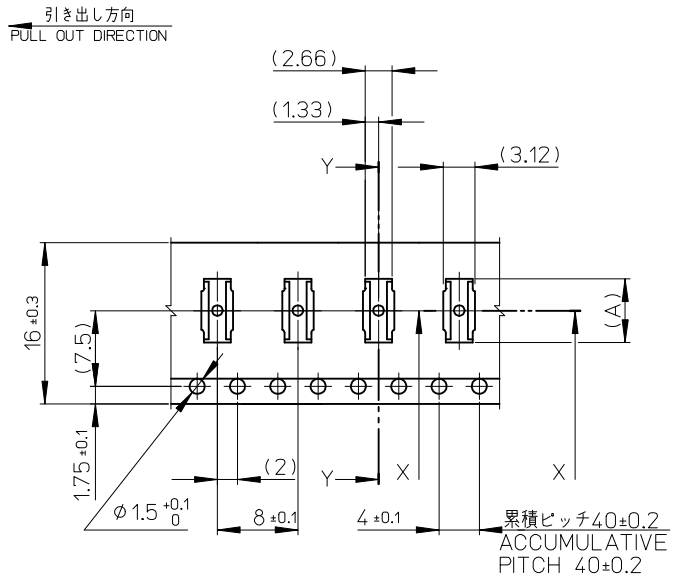


- 材料 MATERIAL
キャリアテープ (CARRIER TAPE) : ポリスチレン (POLYSTYRENE)
トップテープ (TOP TAPE) : PET , OTHER
リール (REEL) : ポリスチレン (PS) <リサイクル材を含む>
POLYSTYRENE (PS) <RECYCLE MATERIAL CONTAINED>
- 1リール/3000個内において、欠品はなきこと
THERE SHALL BE NO MISSING PRODUCT.
- ELV 及び RoHS適合品
ELV AND RoHS COMPLIANT

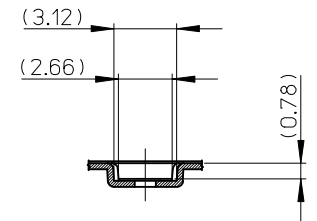
REVISED EC NO: J2014-1214 DRWN: TARA101 2014/01/31 CHKD: TASAKAWA 2014/01/31 APPR: KMORIKAWA 2014/02/03	DESCRIPTION REV	GENERAL TOLERANCES (UNLESS SPECIFIED)		DIMENSION STYLE MM ONLY		SCALE NTS	DESIGN UNITS METRIC	MODEL NO. 503304-***40	
		10 UNDER	±0.2	DRAWN BY MKATO	DATE 2013/07/17	TITLE 0.4 B-TO-B CONN. HGT=0.7 REC ASSY EMBSTP PKG			
		10 OVER 30 UNDER	±0.25	CHECKED BY TASAKAWA	DATE 2013/07/18				
		30 OVER	±0.3	APPROVED BY KMORIKAWA	DATE 2013/10/21				
ANGULAR ±3 °		DRAFT WHERE APPLICABLE MUST REMAIN WITHIN DIMENSIONS		MATERIAL NO. SEE CHART		DOCUMENT NO. SD-503304-007		SHEET NO. 1 OF 3	
SIZE A3		THIS DRAWING CONTAINS INFORMATION THAT IS PROPRIETARY TO MOLEX INCORPORATED AND SHOULD NOT BE USED WITHOUT WRITTEN PERMISSION							



SECTION Y-Y



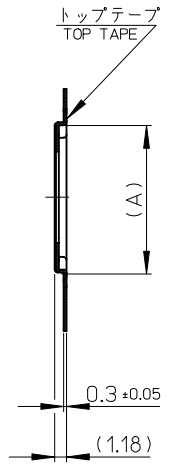
16mm 幅キャリアテープ
16mm WIDTH CARRIER TAPE



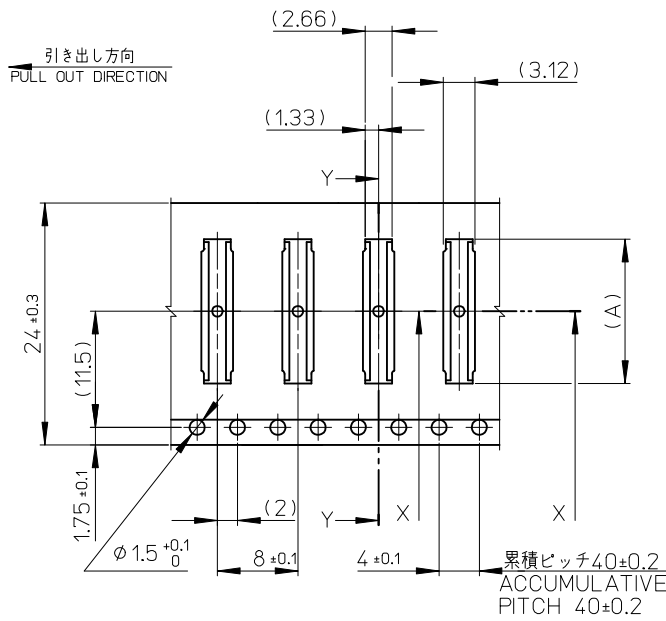
SECTION X-X

16	21.4	17.4	7.52	503304-2640	○	26
			7.12	503304-2440	○	24
			6.32	503304-2040	○	20
			5.92	503304-1840	○	18
			5.52	503304-1640	○	16
			4.72	503304-1240	○	12
キャリアテープ幅 CARRIER TAPE WIDTH	C	B	(A)	EMBOSSED PACKAGE	HIGH VOL. TOOL.	極数
				オーダー番号 ORDER No.	SAMPLE PREPARATION	CKT.
			MODEL No.		503304-**40	

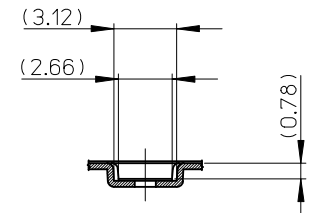
REVISED EC NO: J2014-1214 DRWN: TARA101 2014/01/31 CHKD: TASAKAWA 2014/01/31 APPR: KMORIKAWA 2014/02/03	DESCRIPTION REV	GENERAL TOLERANCES (UNLESS SPECIFIED)		DIMENSION STYLE MM ONLY		SCALE NTS		DESIGN UNITS METRIC		THIRD ANGLE PROJECTION		
		10 UNDER	±0.2	DRAWN BY	DATE	TITLE						
		10 OVER 30 UNDER	±0.25	MKATO	2013/07/17	0.4 B-TO-B CONN. HGT=0.7 REC ASSY EMBSTP PKG						
		30 OVER	±0.3	CHECKED BY	DATE							
ANGULAR ±3 °		TASAKAWA	2013/07/19	APPROVED BY								
DRAFT WHERE APPLICABLE MUST REMAIN WITHIN DIMENSIONS		MATERIAL NO.		KMORIKAWA		2013/10/21	SEE CHART		SD-503304-007		2 OF 3	
		SIZE		THIS DRAWING CONTAINS INFORMATION THAT IS PROPRIETARY TO MOLEX INCORPORATED AND SHOULD NOT BE USED WITHOUT WRITTEN PERMISSION								
		A3										



SECTION Y-Y



24mm 幅キャリアテープ
24mm WIDTH CARRIER TAPE



SECTION X-X

24	29.4	25.4	14.32	503304-6040	○	60
			12.32	503304-5040	○	50
			11.12	503304-4440	○	44
			10.72	503304-4240	○	42
			10.32	503304-4040	○	40
			8.32	503304-3040	○	30
キャリアテープ幅 CARRIER TAPE WIDTH	C	B	(A)	EMBOSSED PACKAGE オーダー番号 ORDER No.	HIGH VOL. TOOL. SAMPLE PREPARATION	極数 CKT.
			MODEL No.		503304-**40	

REVISED EC NO: J2014-1214 DRWN: TARA101 2014/01/31 CHKD: TASAKAWA 2014/01/31 APPR: KMORIKAWA 2014/02/03	DESCRIPTION GENERAL TOLERANCES (UNLESS SPECIFIED) DIMENSION STYLE SCALE DESIGN UNITS THIRD ANGLE PROJECTION	10 UNDER ± 0.2	MM ONLY	NTS	TITLE 0.4 B-TO-B CONN. HGT=0.7 REC ASSY EMBSTP PKG molex DOCUMENT NO. SD-503304-007 SHEET NO. 3 OF 3
		10 OVER 30 UNDER ± 0.25	MKATO 2013/07/18	METRIC	
		30 OVER ± 0.3	TASAKAWA 2013/07/19	☉	
		ANGULAR ± 3 °	KMORIKAWA 2013/10/21	□	
DRAFT WHERE APPLICABLE MUST REMAIN WITHIN DIMENSIONS	SEE CHART THIS DRAWING CONTAINS INFORMATION THAT IS PROPRIETARY TO MOLEX INCORPORATED AND SHOULD NOT BE USED WITHOUT WRITTEN PERMISSION				