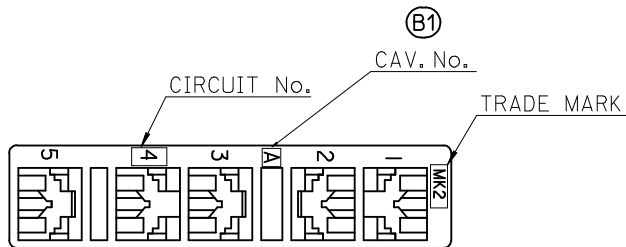
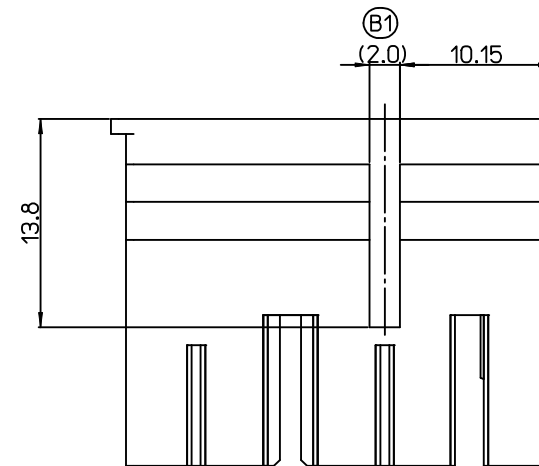
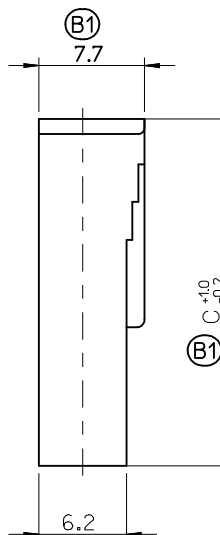
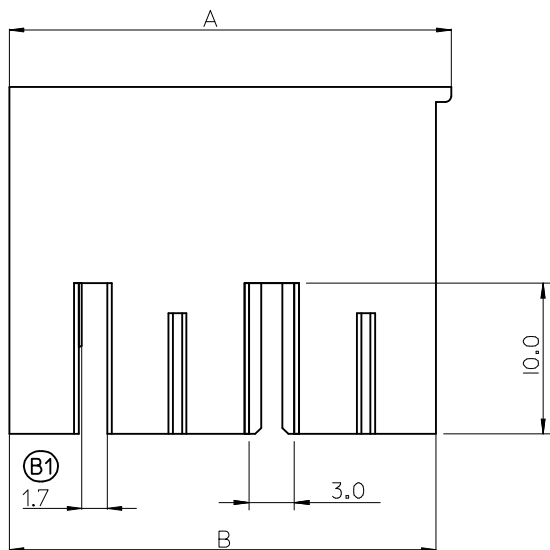
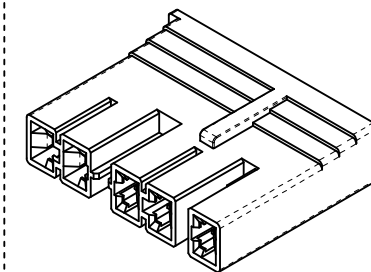


10 9 8 7 6 5 4 3 2 1



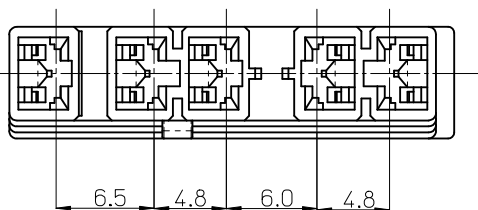
[TABLE] (B1)

MATERIAL NO.	DIMENSION			MATERIAL
	A	B	C	
355060510	29.5	28.5	23.0	POLYESTER
355060519	30.2	28.9	23.4	PET/PC



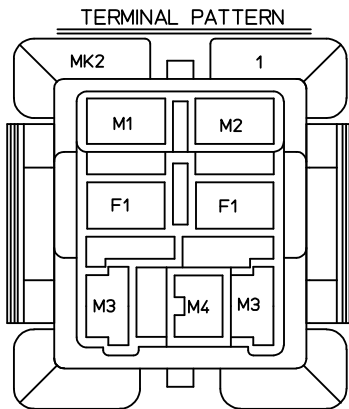
NOTES

- MATERIAL :
  - ① 35506-0510 : POLYESTER(PBT), NO GLASS FILLED, UL94V-0 COLOR : NATURAL
  - (B1) ② 35506-0519 : PET/PC, NO GLASS FILLED, UL94V-0 COLOR : NATURAL
- PRODUCT SPECIFICATION : PS-35506-001
- PACKING SPECIFICATION : PK-35506-001
- APPLICABLE TERMINAL : 35097-9\*12

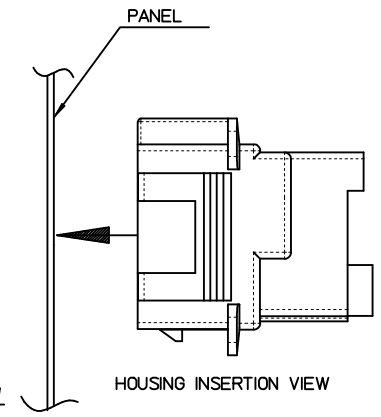
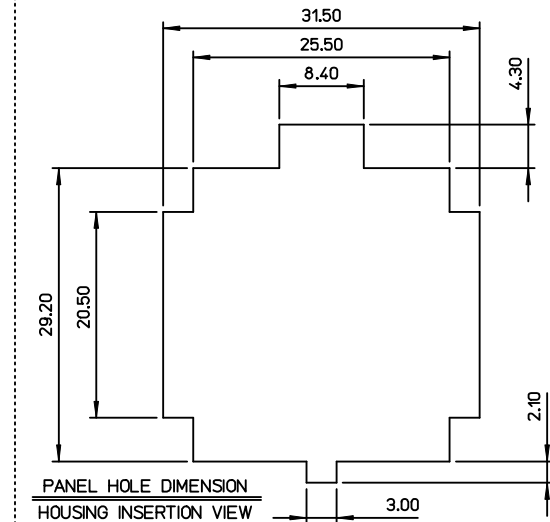
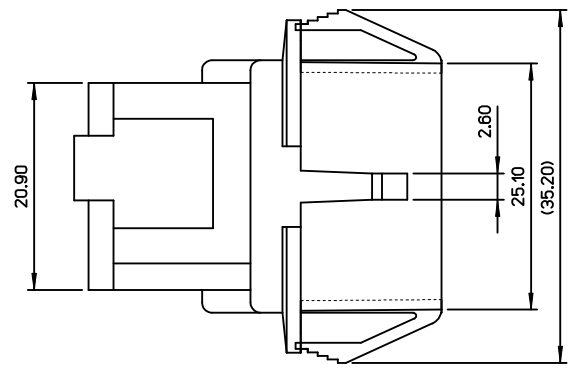
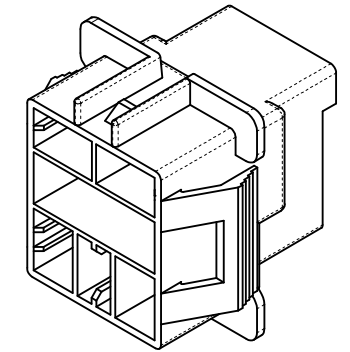
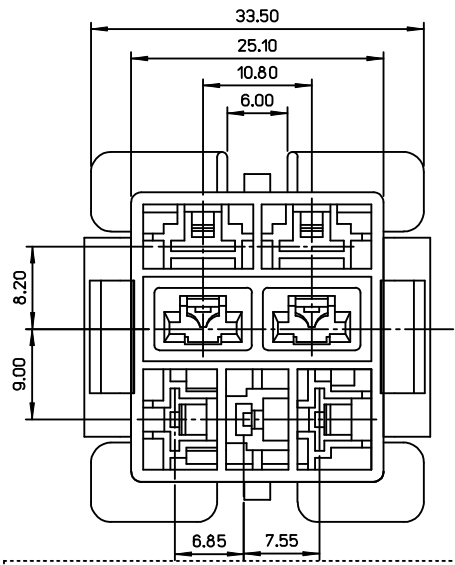
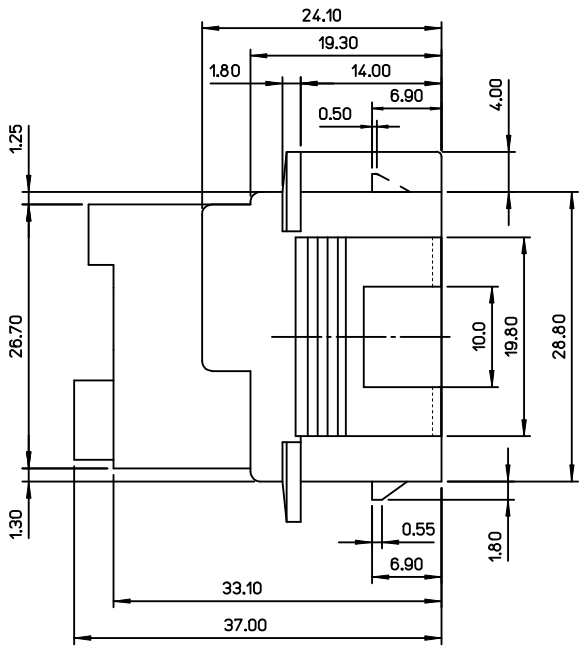


PRELIMINARY REVISED IEC NO: KOR2013-0051 DRWN: JSSHIN 2012/12/18 CH'KD: SHCHU 2012/12/18 APPR: YSKIM02 2012/12/27	QUALITY SYMBOLS ▽=0 ∇=0	GENERAL TOLERANCES (UNLESS SPECIFIED)		DIMENSION STYLE MM ONLY		SCALE 3:1	DESIGN UNITS METRIC	THIRD ANGLE PROJECTION	
			mm	INCH	DRAWN BY	DATE	TITLE .110 MP-LOCK HOUSING -5P (FOR DOOR SWITCH)		
		4 PLACES	± ---	± ---	WY. YANG	1996/06/17			
		3 PLACES	± ---	± ---	CHECKED BY	DATE			
2 PLACES	± 0.30	± ---	BK. CHOI	1996/06/17					
	1 PLACE	± 0.30	± ---	APPROVED BY	DATE	molex			
	0 PLACE	± ---	± ---	YSKIM02	2012/12/27				
ANGULAR ± 3 °			MATERIAL NO.		DOCUMENT NO.				
DRAFT WHERE APPLICABLE MUST REMAIN WITHIN DIMENSIONS			SEE TABLE		SD-35506-001				
B1	REV	SIZE A3		THIS DRAWING CONTAINS INFORMATION THAT IS PROPRIETARY TO MOLEX INCORPORATED AND SHOULD NOT BE USED WITHOUT WRITTEN PERMISSION				SHEET NO. 1 OF 1	

9 8 7 6 5 4 3 2 1



M1 TERMINAL : 35453-9\*02  
M2 TERMINAL : 35452-9\*02  
M3 TERMINAL : 35725-1810/1910/3010  
M4 TERMINAL : 35765-0110/0210  
F1 TERMINAL : 35725-5\*10  
M = MALE TERMINAL  
F = FEMALE TERMINAL



NOTES

- MATERIAL : PET/PC, NO GLASS FILLED, UL94V-0; COLOR : NATURAL
- PRODUCT SPECIFICATION : PS-35546-001
- PACKING SPECIFICATION : PK-35546-001
- MATED HOUSING : 35547-0309  
35547-0409

REVISED	IEC NO: KOR2015-0152	2015/06/23
	DRWN: SCHONG03	2015/06/23
	CHKD: SHCHU	2015/06/23
	APPR: YSKIM02	2015/06/30

QUALITY SYMBOLS	$\nabla = 0$
	$\nabla = 0$

GENERAL TOLERANCES (UNLESS SPECIFIED)	mm	INCH
4 PLACES	± ---	± ---
3 PLACES	± ---	± ---
2 PLACES	± 0.30	± ---
1 PLACE	± 0.30	± ---
0 PLACE	± ---	± ---
ANGULAR ± 3 °		
DRAFT WHERE APPLICABLE MUST REMAIN WITHIN DIMENSIONS		

DIMENSION STYLE		SCALE	DESIGN UNITS	THIRD ANGLE PROJECTION
MM ONLY		2:1	METRIC	
DRAWN BY	DATE	TITLE		
JB. JIN	2012/10/25	.250 MULTI W-T-W CONN. RECEPTACLE HOUSING 7P (FOR GWIT)		
CHECKED BY	DATE	<b>molex</b>		
SH. CHU	2012/10/25			
APPROVED BY	DATE	MATERIAL NO.	DOCUMENT NO.	SHEET NO.
YSKIM02	2012/12/27	355460709	SD-35546-003	1 OF 1

THIS DRAWING CONTAINS INFORMATION THAT IS PROPRIETARY TO MOLEX INCORPORATED AND SHOULD NOT BE USED WITHOUT WRITTEN PERMISSION				
---	--	--	--	--