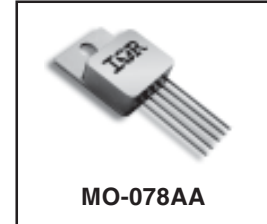


**Radiation Hardened Ultra Low Dropout
 Fixed Positive Linear Regulator**

+3.3V_{IN} to +2.5V_{OUT} @3.0A

Product Summary

Part Number	Dropout	I _O	V _{IN}	V _{OUT}
IRUH330125BK	0.4V	3.0A	3.3V	2.5V
IRUH330125BP				



Description

The IRUH330125 is a space qualified, ultra low dropout linear regulator designed specifically for applications requiring high reliability, low noise and radiation hardness.

Features

- Silicon On Insulator (SOI) CMOS Regulator IC, CMOS Latch-Up Immune, Inherently Rad Hard
- Total Dose Capability up to 300Krad(Si) (Condition A); Tested to 500Krad (Si)
- ELDRS up to 100Krad(Si) (Condition D)
- SEU Immune up to LET = 80 MeV*cm²/mg
- Space Level Screened
- Fast Transient Response
- Timed Latch-Off Over-Current Protection
- Internal Thermal Protection
- On/Off Control via Shutdown Pin, Power Sequencing Easily Implemented
- Isolated Hermetic MO-078 Package Ensures Higher Reliability
- This part is also available in 8-Lead Flat Pack Package as IRUH330125AK / IRUH330125AP

Absolute Maximum Ratings

Parameter	Symbol	Min.	Max.	Units
Power Dissipation @ T _C = 125°C	P _D	-	25	W
Maximum Output Current @ Maximum Power Dissipation with no Derating	I _O	-	See Fig 4	A
Non-Operating Input Voltage	V _{IN}	-0.3	+8.0	V
Operating Input Voltage	V _{IN}	2.9	6.4	
Ground	GND	-0.3	0.3	
Shutdown Pin Voltage	V _{SHDN}	-0.3	V _{IN} + 0.3	
Output Pin Voltage	V _{OUT}	-0.3	V _{IN} + 0.3	°C
Operating Case Temperature Range	T _O	-55	+140	
Storage Temperature Range	T _S	-65	+150	
Maximum Junction Temperature	T _J	-	+150	
Lead Temperature (Soldering 10sec)	T _L	-	+300	
Pass Transistor Thermal Resistance, Junction to Case	R _{THJC}	-	1.0	°C/W

Electrical Characteristics ①

Pre-Radiation @T_C = 25°C, V_{IN} = 3.3V (Unless Otherwise Specified)

Parameter	Test Conditions	Symbol	Min.	Typ.	Max.	Units
Output Voltage ①	2.97V ≤ V _{IN} ≤ 3.8V, 50mA ≤ I _{OUT} ≤ 3.0A	V _{OUT}	2.463	2.5	2.538	V
	2.97V ≤ V _{IN} ≤ 3.8V, 50mA ≤ I _{OUT} ≤ 3.0A, -55°C to +125°C		2.425	2.5	2.575	
	2.97V ≤ V _{IN} ≤ 3.8V, 50mA ≤ I _{OUT} ≤ 3.0A, Post -Rad		2.412	2.5	2.550	
Dropout Voltage ①	I _O = 3.0A, V _{OUT} = 2.5V, -55°C to +125°C, Post -Rad	V _{DROP}	-	-	0.4	V
Current Limit	Over-Current Latching, -55°C to +125°C, Post -Rad	I _{LATCH}	3.5	-	-	A
Over-Current Time-to-Latch	I _O > I _{LATCH}	t _{LATCH}	-	10	-	ms
Maximum Shutdown Temp.②		T _{LATCH}	125	140	-	°C
Ripple Rejection②	F= 120Hz, I _O = 50mA, -55°C to +125°C	PSRR	65	-	-	dB
	F= 120Hz, I _O = 50mA, Post -Rad		40	-	-	
V _{SENSE} Pin Current ②	-55°C to +125°C	I _{SENSE}	-	1.6	-	mA
Minimum SHDN Pin "On" Threshold Voltage	I _{SOURCE} = 200μA, -55°C to +125°C, Post -Rad	V _{SHDN}	-	-	0.8	V
Maximum SHDN Pin "Off" Threshold Voltage	I _{SOURCE} = 200μA, -55°C to +125°C, Post -Rad	V _{SHDN}	1.2	-	-	V
Output Voltage at Shutdown	R _{LOAD} = 36 Ohms, V _{SHDN} = 3.3V, -55°C to +125°C, Post-Rad	V _{OUT}	-0.1	-	0.1	V
SHDN Pin Leakage Current ②	V _{SHDN} = 3.3V, -55°C to +125°C, Post-Rad	I _{SHDN}	-10	-	10	μA
SHDN Pin Pull-Up Current ②	V _{SHDN} = 0.4V	I _{SHDN}	-98	-	-56	μA
	V _{SHDN} = 0.4V, -55°C to +125°C		-140	-	-30	
	V _{SHDN} = 0.4V, Post-Rad		-98	-	-56	
Power On Reset Threshold ②	Sweep V _{IN} and Measure Output	V _{T-POR}	-	1.7	-	V
Quiescent Current ②	No Load	I _Q	-	-	15	mA
	Full Load		-	-	90	

Notes:

- ① Connected as shown in Fig.1 and measured at the junction of V_{OUT} and V_{SENSE} Pins.
- ② Under normal closed-loop operation. Guaranteed by design. Not tested in production.

Radiation Performance Characteristics

Test	Conditions	Min	Typ	Unit
Total Ionizing Dose (Gamma)	MIL-STD-883, Method 1019 (Condition A) Operating Bias applied during exposure Minimum Rated Load, Vin = 6.4V	300	500 ①	Krads (Si)
Total Ionizing Dose (Gamma)	MIL-STD-883, Method 1019 (Condition D) (ELDRS) Operating Bias applied during exposure Minimum Rated Load, Vin = 6.4V	100	See ②	Krads (Si)
Single Event effects SEU, SEL, SEGR, SEB	Heavy Ions (LET) Operating Bias applied during exposure under varying operating conditions	84		MeV*cm ² /mg
Neutron Fluence	MIL-STD-883, Method 1017		1.0e ¹¹	Neutrons/cm ²

Notes:

① Tested to 500Krad (Si).

② See Fig. 5.

Space Level Screening Requirements

TEST/INSPECTION	SCREENING LEVEL	MIL-STD-883
	SPACE	METHOD
Nondestructive Bond Pull	100%	2023
Internal Visual	100%	2017
Seal	100%	1014
Temperature Cycle	100%	1010
Constant Acceleration	100%	2001
Mechanical Shock	100%	2002
PIND	100%	2020
Pre Burn-In-Electrical	100%	
Burn-In	100%	1015
Final Electrical	100%	
Radiographic	100%	2012
External Visual	100%	2009

Application Information

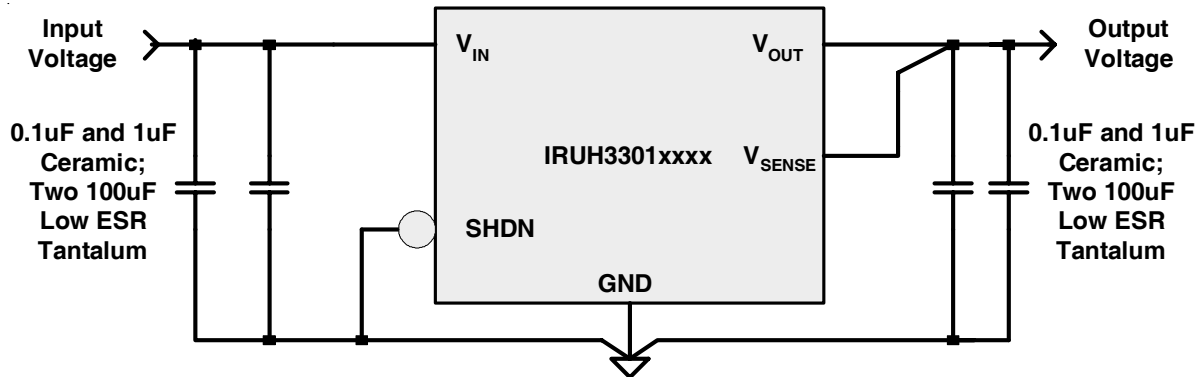


Fig. 1. Typical Regulator Circuit; Note the SHDN Pin is hardwired in the “ON” position.
The V_{SENSE} Pin is connected as noted in the “General Layout Rules” section.

Over-Current & Over-Temperature Protection

The IRUH3301 series provides over-current protection by means of a timed latch function. Drive current to the internal PNP pass transistor is limited by an internal resistor (R_b in Fig. 3) between the base of the transistor and the control IC drive FET. If an over-current condition forces the voltage across this resistor to exceed 0.5V (nom), the latch feature will be triggered. The time-to-latch (t_{LATCH}) is nominally 10ms. If the over-current condition exists for less than t_{LATCH} , the latch will not be set. If the latch is set the drive current to the PNP pass transistor will be disabled. The latch will remain set until one of the following actions occur:

1. The SHDN Pin voltage is brought above 1.2V and then lowered below 0.8V.
2. The V_{IN} Pin voltage is lowered below 1.7V.

If the junction temperature of the regulator IC exceeds 140°C nominal, the thermal shutdown circuit will set the internal latch and disable the drive current to the PNP pass transistor as described above. After the junction temperature falls below a nominal 125°C, the latch can be reset using either of the actions described above.

Under-Voltage Lock-Out

The under-voltage lock-out (UVLO) function prevents operation when V_{IN} is less than 1.7V (nominal). There is a nominal 100mV hysteresis about this point.

input Voltage Range

The device functions fully when V_{IN} is greater than 2.9V. It enters into under-voltage lock-out at $V_{IN} < 1.7V$ (nominal). When $1.7V$ (nominal) $< V_{IN} < 2.9V$, V_{OUT} will track V_{IN} and overshoot may occur. A larger output capacitor should be used to slow down the V_{OUT} rise rate for slow V_{IN} ramp applications.

Shutdown (SHDN)

The regulator can be shutdown by applying a voltage of $>1.2V$ to the SHDN Pin. The regulator will restart when the SHDN Pin is pulled below the shutdown threshold of 0.8V. If the remote shutdown feature is not required, the SHDN Pin should be connected to GND.

Input Capacitance

Input bypass capacitors: Two (0.1 μF and 1 μF) ceramics and two 100 μF low ESR tantalums (AVX TPS or equivalent), placed very close to the V_{IN} Pin are required for proper operation. When the input voltage supply capacitance is more than 4 inches from the device, additional input capacitance is recommended. Larger input capacitor values will improve ripple rejection further improving the integrity of the output voltage.

Output Capacitance

Output bypass capacitors: Two (0.1 μF and 1 μF) ceramics and two 100 μF low ESR tantalums (AVX TPS or equivalent) are required for loop stability. Faster transient performance can be achieved with multiple additional 1 μF ceramic capacitors. Ceramic capacitors greater than 1 μF in value are not recommended as they can cause stability issues.

Tantalum capacitor values larger than the suggested value are recommended to improve the transient response under large load current changes. The upper capacitance value limit is governed by the delayed over-current latch function of the regulator and can be as much as 10,000 μF without causing the device to latch-off during start-up.

General Layout Rules

Low impedance connections between the regulator output and load are essential. Solid power and ground planes are highly recommended. In those cases where the board impedances are not kept very small, oscillations can occur due to the effect of parasitic series resistance and inductance on loop bandwidth and phase margin.

The V_{SENSE} Pin must be connected directly to the V_{OUT} Pin using as short a trace as possible with the connection inside the first bypass capacitor (see Fig. 2a).

Connect ceramic output capacitors directly across the V_{OUT} and GND Pins with as wide a trace as design rules allow (see Fig. 2a). Avoid the use of vias for these capacitors and avoid loops. Fig.2 shows the ceramic capacitors tied directly to the regulator output.

The input capacitors should be connected as close a possible to the V_{IN} Pin.

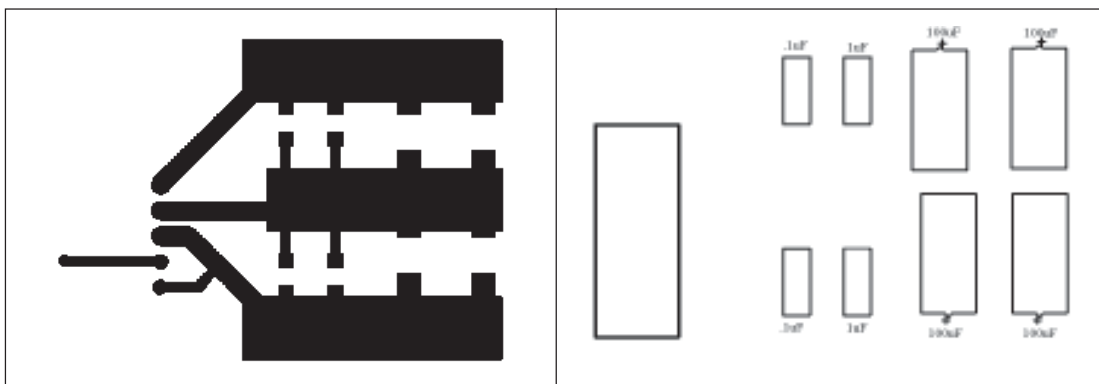


Fig. 2a. Layer 1 conductor.
 Ground plane below layer 1

Fig. 2b. Layer 1 silkscreen

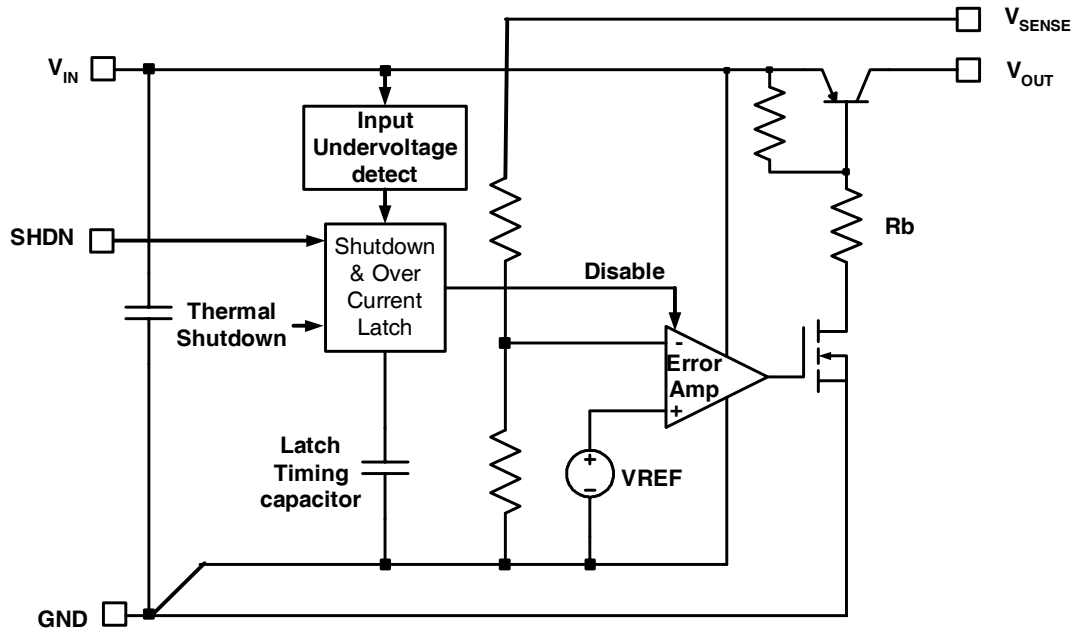


Fig. 3. Simplified Schematic Circuit

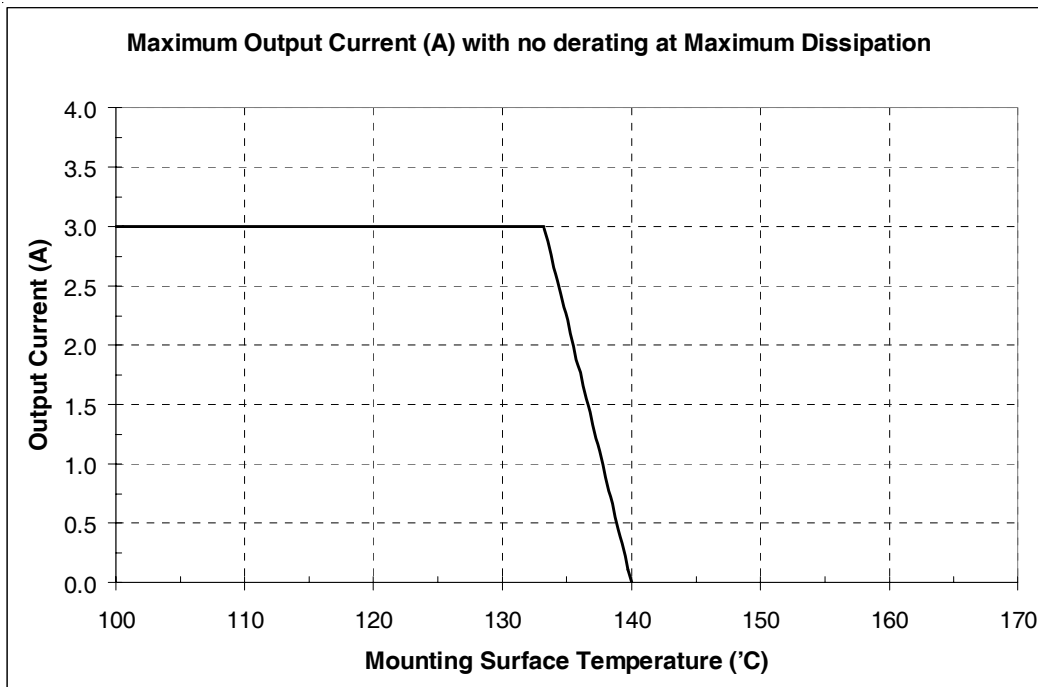


Fig. 4. Maximum Output Current versus Mounting Surface Temperature with no Derating at Maximum Dissipation

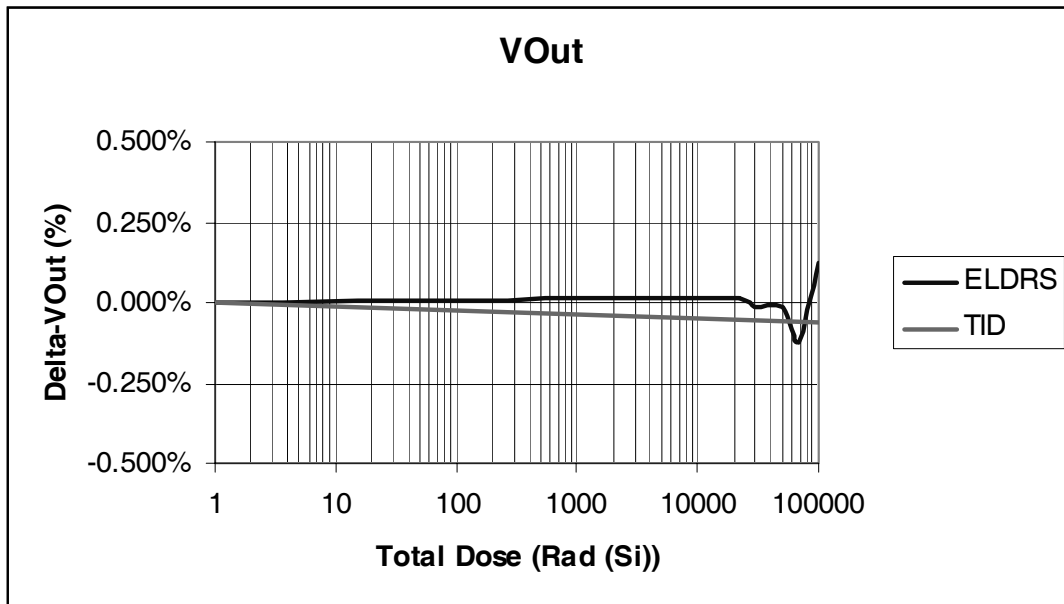


Fig. 5. Change in Output Voltage vs. Total Ionizing Dose Radiation Exposure at Both High and Low Dose Rates

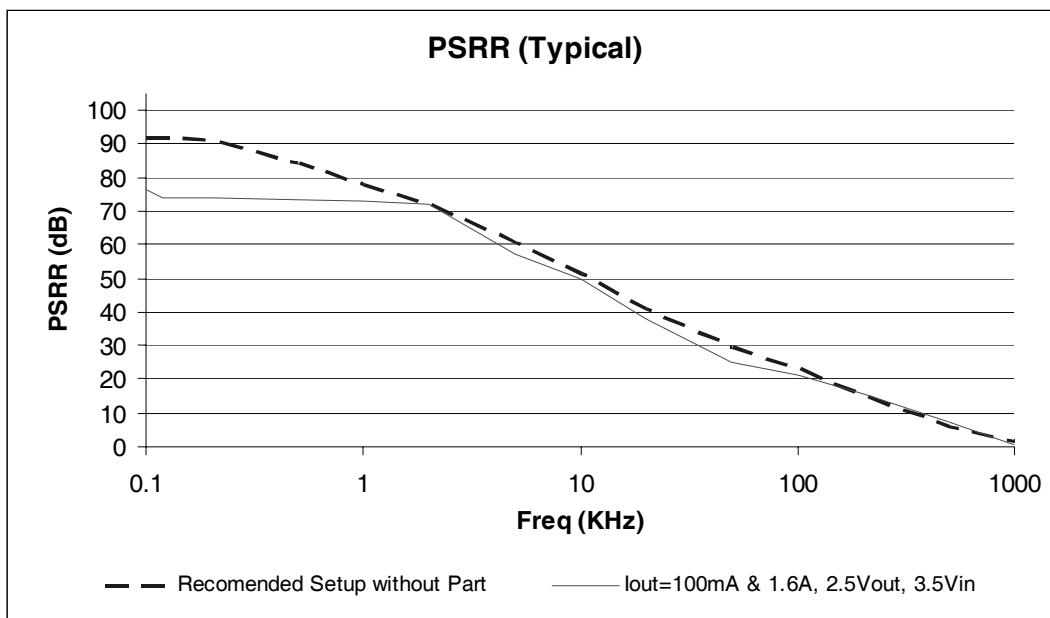


Fig. 6. Typical Power Supply Ripple Rejection at 100mA and 1.6A using recommended layout and capacitors. Results above 10KHz are influenced by testing setup and layout.

Fig 7. Case Outline and Dimensions - MO-078AA (Lead Form Down)

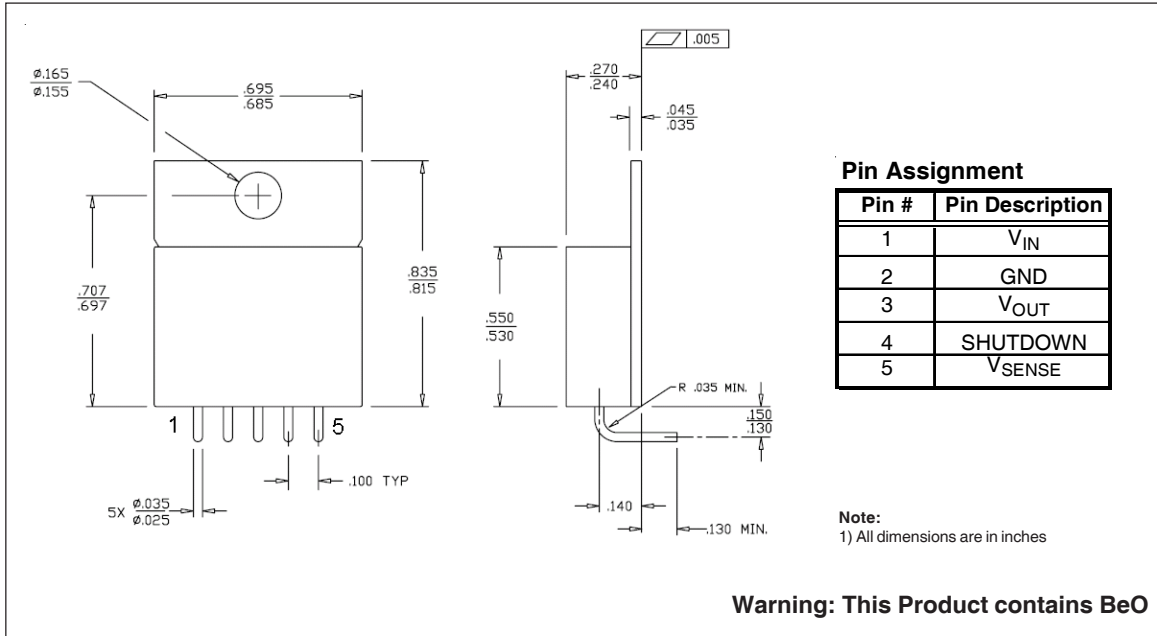


Fig 8. Case Outline and Dimensions - MO-078AA (Lead Form Up)

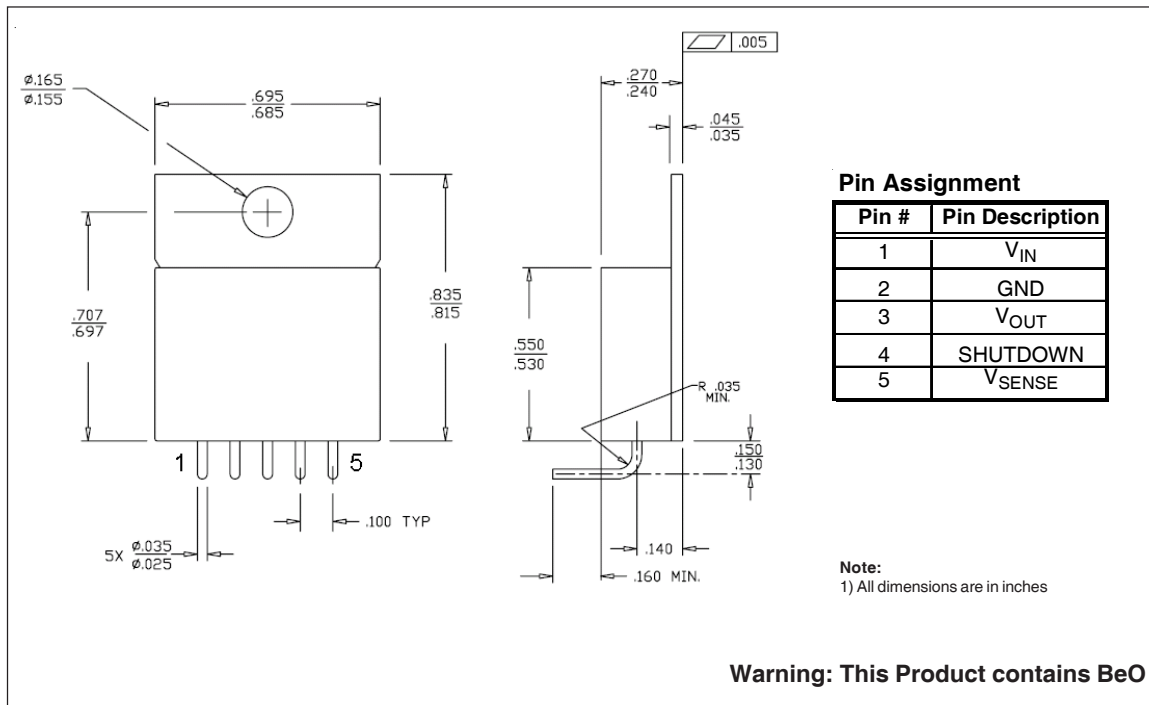
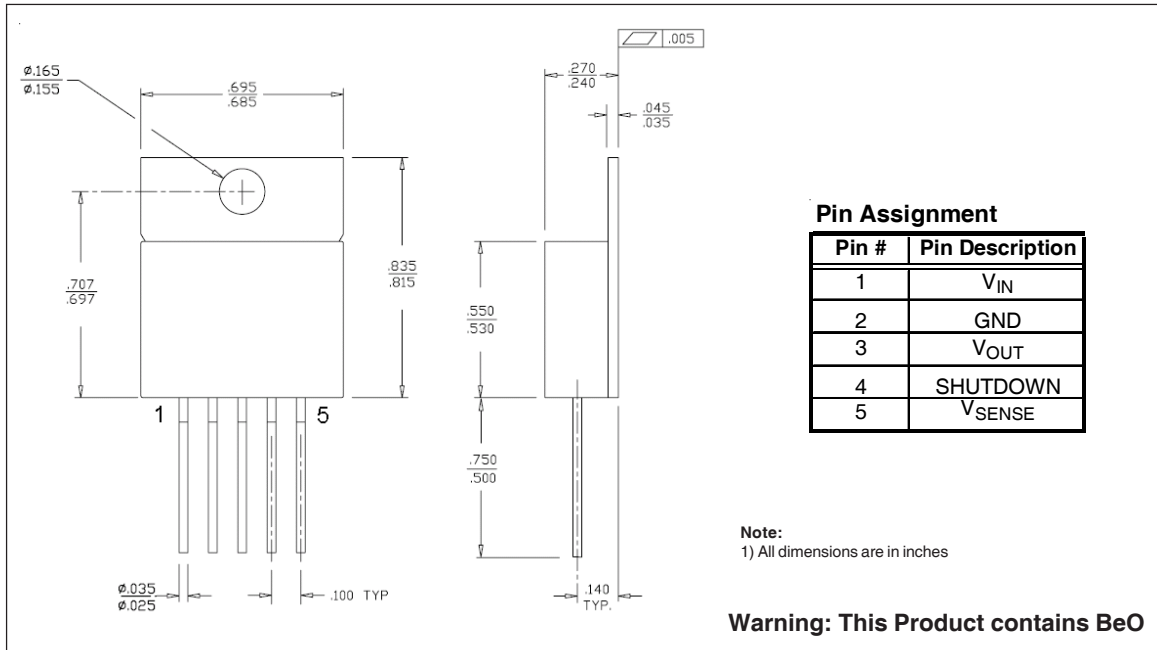


Fig 9. Case Outline and Dimensions - MO-078AA (Lead Trimmed)



Part Numbering Nomenclature

IR U H3 301 25 B K

Linear Regulator

U = Ultra Low Dropout Regulator

Radiation Hardening

H3 = 300 Krads

Device indicator

301 = 3 Amp Positive Regulator

Output Voltage

18 = 1.8V

25 = 2.5V

33 = 3.3V

A1 = Adjustable Optimized for 3.3 V Input

A2 = Adjustable Optimized for 5.0V Input

Lead Form Options

A = Lead Form Down (Fig. 7)

B = Lead Form Up (Fig. 8)

Blank = Lead Trimmed (Fig. 9)

Screening Level

P = Unscreened, 25°C

Electrical Test Not for Qualification

K = Class K per MIL-PRF-38534

Package Type

B = MO-078AA