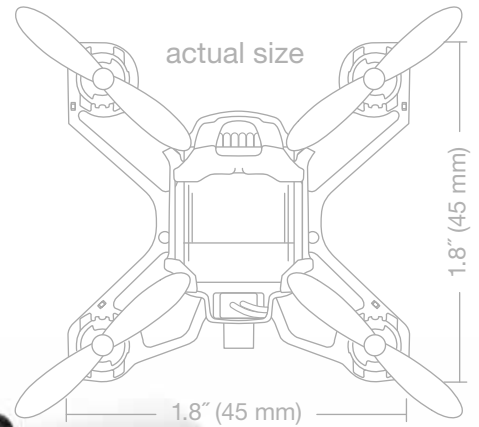


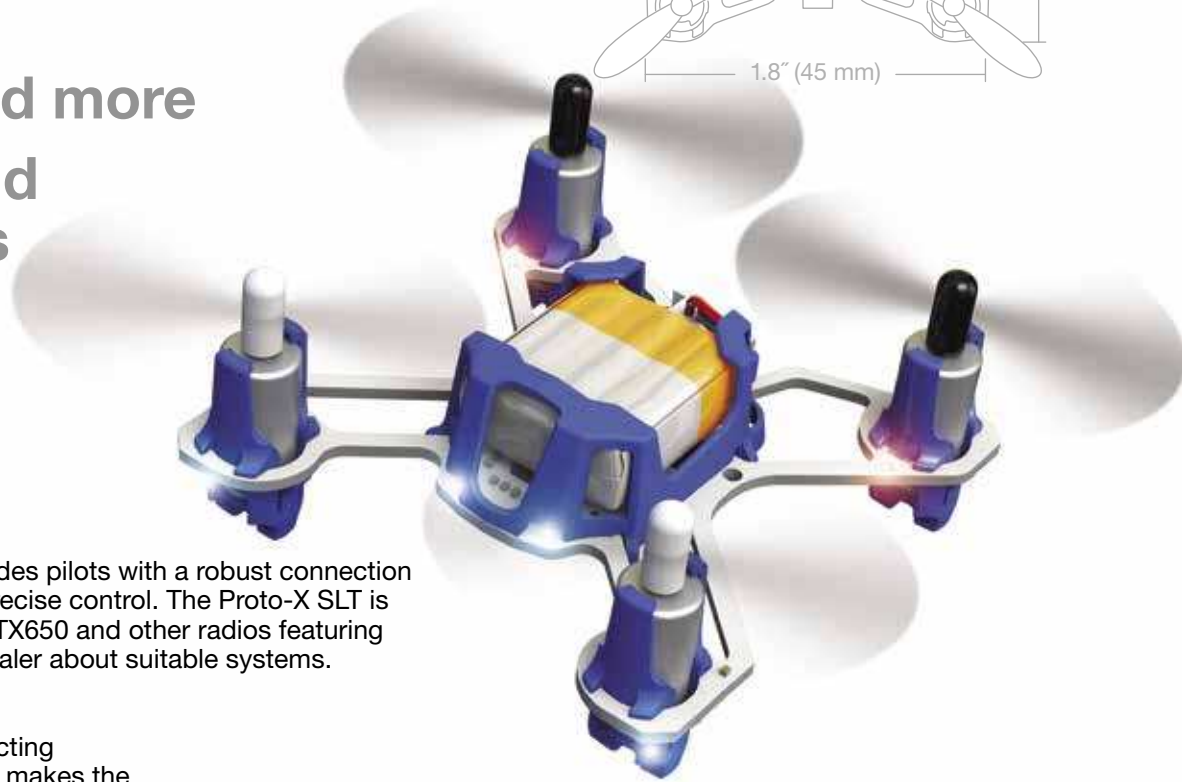
protoX^{SLT}

Ready-to-Fly Nano Quadcopter



✂ Do flips and more

✂ Mild-to-wild maneuvers



The Benefits of SLT

Secure Link Technology provides pilots with a robust connection to the Proto-X SLT for ultra-precise control. The Proto-X SLT is compatible with the Tactic[®] TTX650 and other radios featuring the SLT protocol. Ask your dealer about suitable systems.



Auto-Correcting Technology makes the Proto-X SLT easy to fly – even for beginners!

The Proto-X SLT makes the world's smallest quadcopter even more incredible!

A larger 2.4GHz radio with dual rates is just the start; now, pilots can execute flips and other mild-to-wild maneuvers with a single button-push.

An Auto-Upright system keeps the Proto-X SLT stable in any flight condition. Toss the quad in the air, and Auto-Correcting Technology keeps it level. Even beginners can fly the Proto-X SLT with complete success!

Link your Proto-X SLT to its 2.4GHz radio using the WaveLink[™] feature. Just wave the heli to link.

Also, since it comes with the SLT protocol built-in, pilots can fly this cool quadcopter with popular radio systems like the Tactic[®] TTX650.

As always, the Proto-X SLT comes with a USB charger and four spare rotor blades. All you need to add are four "AAA" batteries.

Includes:

- Quadcopter
- 2.4GHz SLT controller w/dual rates
- (6) LEDs
- 1S 100mAh LiPo battery
- USB charge cord
- (4) spare rotor blades

ESTE49**

Diagonal: 50 mm (2.0 in)

Weight: 11.5 g (0.4 oz)

Requires: 4 "AAA" batteries



protoquad.com

 **KNOWFLY**
BEFORE YOU
Unmanned Flight Safety Guidance
knowbeforeyoufly.org