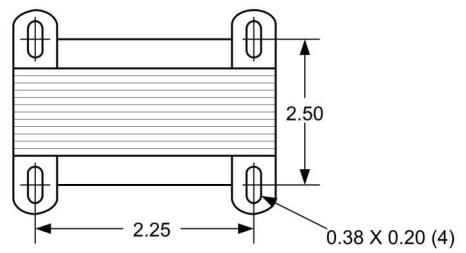
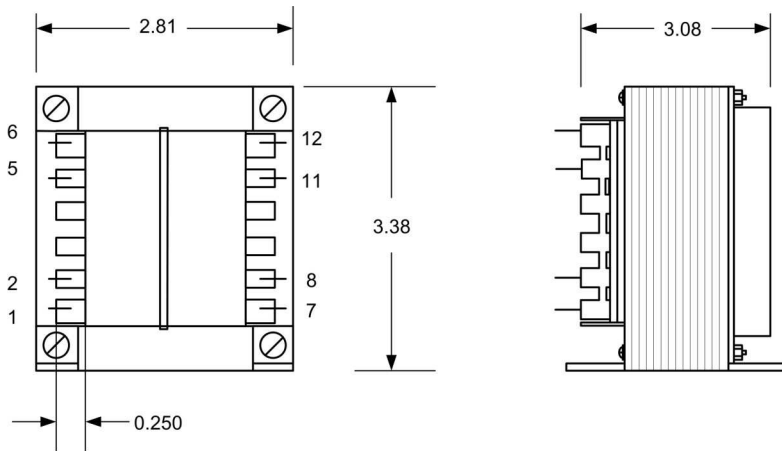
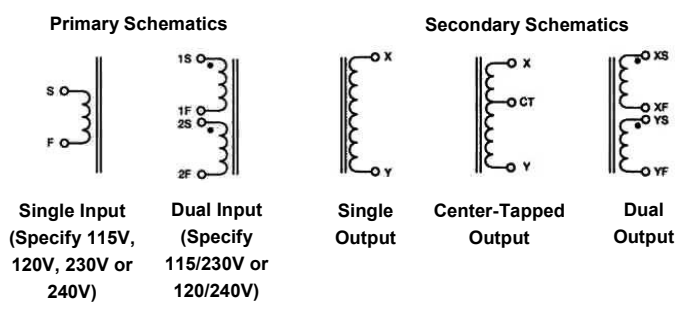


ADMIRAL CLASS - INTERNATIONAL QUICK-CONNECT TERMINALS, POWER TRANSFORMER



1. Electrical Specifications
 - A. Maximum Power: 130VA
 - B. Input Voltage and Frequency: 115V, 115/230V, 230V 50/60Hz
 - C. Voltage Regulation: ___% TYP @ full load to no load
 - D. Temperature Rise: ___°C TYP
 - E. Insulation Resistance: _____
 - F. Hi-Pot: 4000Vrms 1 minute @ Pri to Sec
 _____ Vrms 1 minute @ Pri to Core
 _____ Vrms 1 minute @ Sec to Core
2. Marking: Ensign Corp, part number (see table), date code, terminal numbers
3. Safety:
 - UL/cUL 5085-2 Recognized (File E47299)
 - UL 60950 Recognized (File E144070)
 - VDE 0805 Licensed (File 19019-3336-9002/A1C)
 - UL 1446 Recognized Insulation System (File E95662)



Part Number			Series Connection	Parallel Connection
115V	115/230V	230V		
IT130-1-010X	IT130-2-010X	IT130-3-010X	10VCT @ 13.0A	5V @ 26.0A
IT130-1-012X	IT130-2-012X	IT130-3-012X	12.6VCT @ 10.3A	6.3V @ 20.6A
IT130-1-016X	IT130-2-016X	IT130-3-016X	16VCT @ 8.1A	8V @ 16.2A
IT130-1-020X	IT130-2-020X	IT130-3-020X	20VCT @ 6.5A	10V @ 13.0A
IT130-1-024X	IT130-2-024X	IT130-3-024X	24VCT @ 5.4A	12V @ 10.8A
IT130-1-028X	IT130-2-028X	IT130-3-028X	28VCT @ 4.6A	14V @ 9.2A
IT130-1-036X	IT130-2-036X	IT130-3-036X	36VCT @ 3.6A	18V @ 7.2A
IT130-1-230X	IT130-2-230X	IT130-3-230X	230VCT @ 0.57A	115V @ 1.14A

	POWER TRANSFORMER ADMIRAL CLASS		IT130-1-XXXX IT130-2-XXXX IT130-3-XXXX	
	CONTENTS OF THIS DRAWING ARE SUBJECT TO CHANGE WITHOUT PRIOR NOTICE		Ensign Corporation 201 ENSIGN RD., BELLEVUE, IA 52031	
PROPRIETARY NOTICE: THIS DRAWING PRINT OR DOCUMENT AND SUBJECT MATTER DISCLOSED HEREIN ARE PROPRIETARY ITEMS TO WHICH ENSIGN RETAINS THE EXCLUSIVE RIGHT OF DISSEMINATION, MANUFACTURE AND SALE. THIS DRAWING, PRINT OR DOCUMENT IS SUBMITTED IN CONFIDENCE FOR CONSIDERATION BY THE RECIPIENT ALONE UNLESS PERMISSION FOR FURTHER DISCLOSURE IS EXPRESSLY GRANTED IN WRITING			Dim: Inches	Sheet 1 of 1