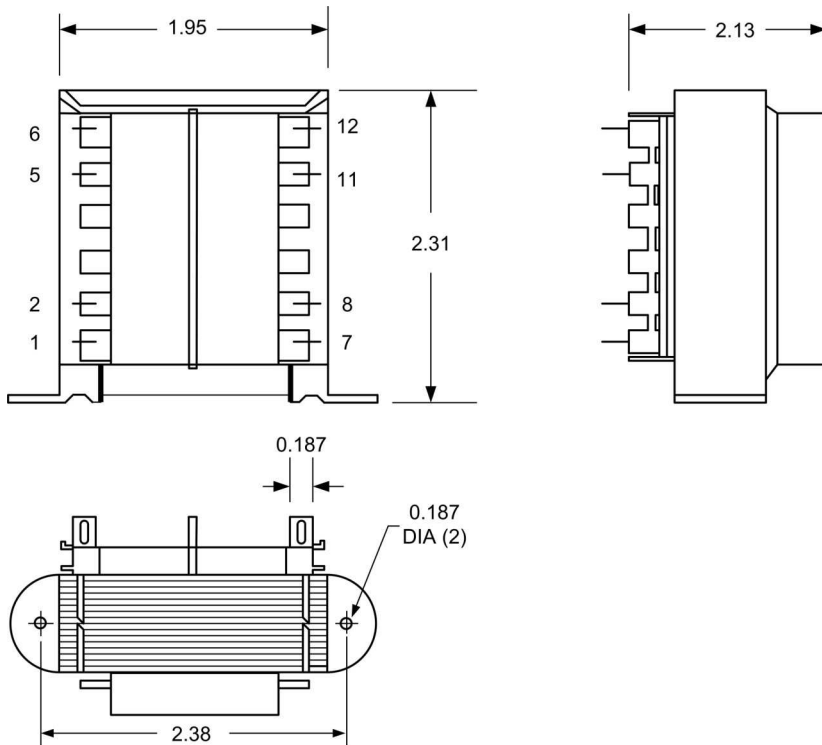
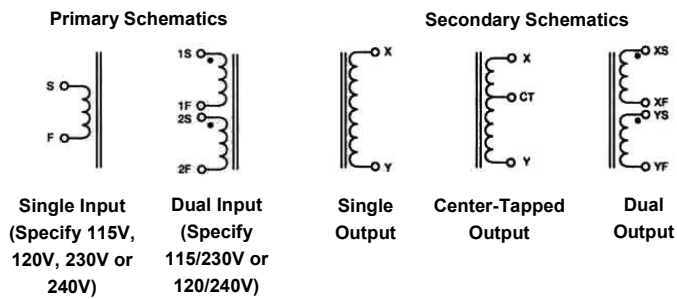


# ADMIRAL CLASS - INTERNATIONAL QUICK-CONNECT TERMINALS, POWER TRANSFORMER



1. Electrical Specifications
  - A. Maximum Power: 25VA
  - B. Input Voltage and Frequency: 115V, 115/230V, 230V 50/60Hz
  - C. Voltage Regulation: \_\_\_% TYP @ full load to no load
  - D. Temperature Rise: \_\_\_°C TYP
  - E. Insulation Resistance: \_\_\_
  - F. Hi-Pot: 4000Vrms 1 minute @ Pri to Sec  
 \_\_\_ Vrms 1 minute @ Pri to Core  
 \_\_\_ Vrms 1 minute @ Sec to Core
2. Marking: Ensign Corp, part number (see table), date code, terminal numbers
3. Safety:
  - UL/cUL 5085-2 Recognized (File E47299)
  - UL 60950 Recognized (File E144070)
  - VDE 0805 Licensed (File 19019-3336-9002/A1C)
  - UL 1446 Recognized Insulation System (File E95662)



Part Number			Series Connection	Parallel Connection
115V	115/230V	230V		
IT025-1-010X	IT025-2-010X	IT025-3-010X	10VCT @ 2.5A	5V @ 5.0A
IT025-1-012X	IT025-2-012X	IT025-3-012X	12.6VCT @ 2.0A	6.3V @ 4.0A
IT025-1-016X	IT025-2-016X	IT025-3-016X	16VCT @ 1.6A	8V @ 3.2A
IT025-1-020X	IT025-2-020X	IT025-3-020X	20VCT @ 1.25A	10V @ 2.5A
IT025-1-024X	IT025-2-024X	IT025-3-024X	24VCT @ 1.0A	12V @ 2.0A
IT025-1-028X	IT025-2-028X	IT025-3-028X	28VCT @ 0.9A	14V @ 1.8A
IT025-1-036X	IT025-2-036X	IT025-3-036X	36VCT @ 0.7A	18V @ 1.4A
IT025-1-230X	IT025-2-230X	IT025-3-230X	230VCT @ 0.11A	115V @ 0.22A

<p>THE FLAGSHIP OF CUSTOM MAGNETICS SINCE 1939</p>	<p><b>POWER TRANSFORMER</b></p> <p><b>ADMIRAL CLASS</b></p>	<p>IT025-1-XXXX</p> <p>IT025-2-XXXX</p> <p>IT025-3-XXXX</p>	
	<p>CONTENTS OF THIS DRAWING ARE SUBJECT TO CHANGE WITHOUT PRIOR NOTICE</p>	<p><b>Ensign Corporation</b></p> <p>201 ENSIGN RD., BELLEVUE, IA 52031</p>	<p>Dim: Inches</p>
<p>PROPRIETARY NOTICE: THIS DRAWING PRINT OR DOCUMENT AND SUBJECT MATTER DISCLOSED HEREIN ARE PROPRIETARY ITEMS TO WHICH ENSIGN RETAINS THE EXCLUSIVE RIGHT OF DISSEMINATION, MANUFACTURE AND SALE. THIS DRAWING, PRINT OR DOCUMENT IS SUBMITTED IN CONFIDENCE FOR CONSIDERATION BY THE RECIPIENT ALONE UNLESS PERMISSION FOR FURTHER DISCLOSURE IS EXPRESSLY GRANTED IN WRITING</p>			