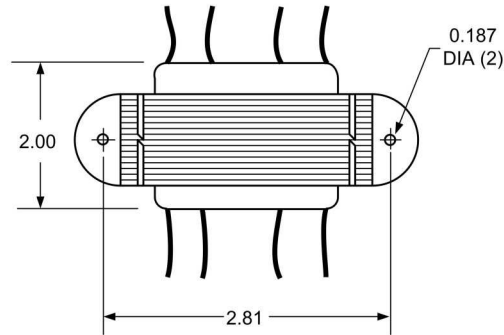
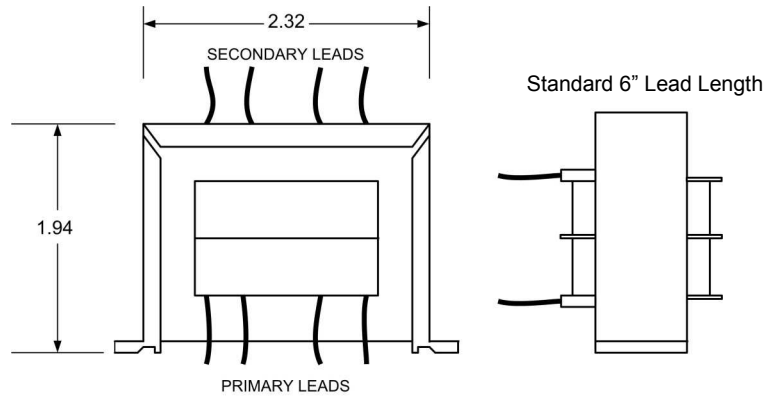
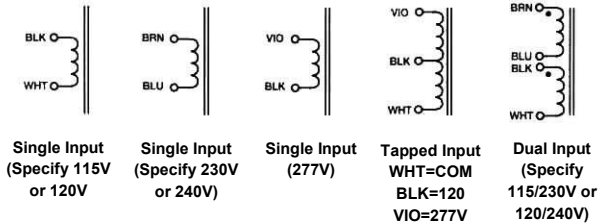


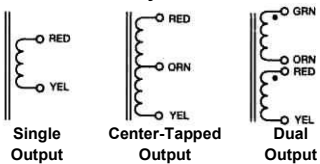
COMMANDER CLASS - CHASSIS MOUNT WITH LEAD WIRES POWER TRANSFORMER



Primary Schematics




Secondary Schematics



1. Electrical Specifications
 - A. Maximum Power: 30VA
 - B. Input Voltage and Frequency: 115V, 115/230V or 230V 50/60Hz
 - C. Voltage Regulation: 12% TYP @ full load to no load
 - D. Temperature Rise: 35°C TYP
 - E. Insulation Resistance: < 1 MEG ohm
 - F. Hi-Pot: 2500Vrms 1 minute @ Pri to Sec
2500Vrms 1 minute @ Pri to Core
1500Vrms 1 minute @ Sec to Core
2. Marking: Ensign Corp, part number (see table), date code
3. Safety:
 - UL/cUL 5085-2 Recognized (File E47299)
 - UL 1446 Recognized Insulation System (File E95662)



Part Number			
115V	115/230V	230V	Secondary
L030-1-510X	L030-2-510X	L030-3-510X	10VCT @ 3.0A
L030-1-512X	L030-2-512X	L030-3-512X	12.6VCT @ 2.5A
L030-1-516X	L030-2-516X	L030-3-516X	16VCT @ 2.0A
L030-1-520X	L030-2-520X	L030-3-520X	20VCT @ 1.5A
L030-1-524X	L030-2-524X	L030-3-524X	24VCT @ 1.25A
L030-1-528X	L030-2-528X	L030-3-528X	28VCT @ 1.0A
L030-1-536X	L030-2-536X	L030-3-536X	36VCT @ 850mA
L030-1-548X	L030-2-548X	L030-3-548X	48VCT @ 630mA
L030-1-556X	L030-2-556X	L030-3-556X	56VCT @ 540mA
L030-1-620X	L030-2-620X	L030-3-620X	120VCT @ 250mA

 <small>THE FLAGSHIP OF CUSTOM MAGNETICS SINCE 1939</small>	POWER TRANSFORMER COMMANDER CLASS	L030-1-XXXX L030-2-XXXX L030-3-XXXX
CONTENTS OF THIS DRAWING ARE SUBJECT TO CHANGE WITHOUT PRIOR NOTICE	Ensign Corporation 201 ENSIGN RD., BELLEVUE, IA 52031	Dim: Inches Sheet 1 of 1
PROPRIETARY NOTICE: THIS DRAWING PRINT OR DOCUMENT AND SUBJECT MATTER DISCLOSED HEREIN ARE PROPRIETARY ITEMS TO WHICH ENSIGN RETAINS THE EXCLUSIVE RIGHT OF DISSEMINATION, MANUFACTURE AND SALE. THIS DRAWING, PRINT OR DOCUMENT IS SUBMITTED IN CONFIDENCE FOR CONSIDERATION BY THE RECIPIENT ALONE UNLESS PERMISSION FOR FURTHER DISCLOSURE IS EXPRESSLY GRANTED IN WRITING		