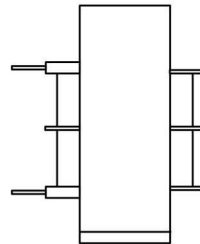
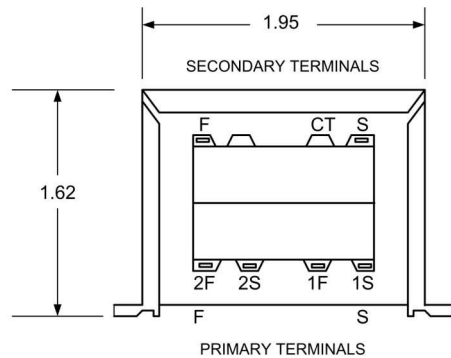
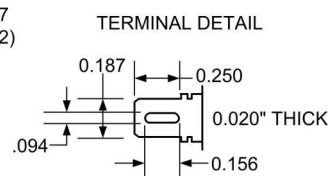
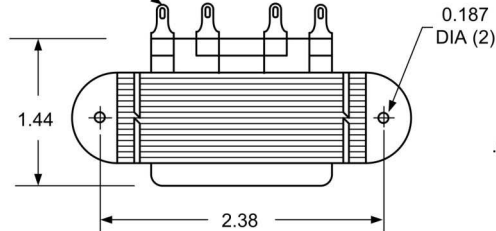


COMMODORE CLASS - CHASSIS MOUNT WITH QUICK-CONNECT TERMINALS POWER TRANSFORMER



0.187" QUICK-CONNECT OR SOLDER LUG TERMINALS



1. Electrical Specifications

- A. Maximum Power: 12VA
- B. Input Voltage and Frequency: 115V, 115/230V or 230V 50/60Hz
- C. Voltage Regulation: 18% TYP @ full load to no load
- D. Temperature Rise: 30°C TYP
- E. Insulation Resistance: < 1 MEG ohm
- F. Hi-Pot: 2500Vrms 1 minute @ Pri to Sec
2500Vrms 1 minute @ Pri to Core
1500Vrms 1 minute @ Sec to Core

2. Marking: Ensign Corp, part number (see table), date code, country, terminal number

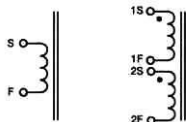
3. Safety:

UL/cUL 5085-2 Recognized (File 47299)

UL 1446 Recognized Insulation System (File 95662)



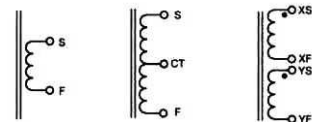
Primary Schematics



Single Input
(Specify 115V,
120V, 230V or
240V)

Dual Input
(Specify
115/230V or
120/240V)

Secondary Schematics



Single Output

Center-Tapped Output

Dual Output

Part Number			Secondary
115V	115/230V	230V	
T012-1-510X	T012-2-510X	T012-3-510X	10VCT @ 1.2A
T012-1-512X	T012-2-512X	T012-3-512X	12.6VCT @ 1.0A
T012-1-516X	T012-2-516X	T012-3-516X	16VCT @ 800mA
T012-1-520X	T012-2-520X	T012-3-520X	20VCT @ 600mA
T012-1-524X	T012-2-524X	T012-3-524X	24VCT @ 500mA
T012-1-528X	T012-2-528X	T012-3-528X	28VCT @ 420mA
T012-1-536X	T012-2-536X	T012-3-536X	36VCT @ 350mA
T012-1-548X	T012-2-548X	T012-3-548X	48VCT @ 250mA
T012-1-556X	T012-2-556X	T012-3-556X	56VCT @ 220mA
T012-1-620X	T012-2-620X	T012-3-620X	120VCT @ 100mA



**POWER TRANSFORMER
COMMODORE CLASS**

**T012-1-XXXX
T012-2-XXXX
T012-3-XXXX**

CONTENTS OF THIS DRAWING ARE SUBJECT TO CHANGE WITHOUT PRIOR NOTICE

Ensign Corporation
201 ENSIGN RD., BELLEVUE, IA 52031

Dim: Inches

Sheet 1 of 1

PROPRIETARY NOTICE: THIS DRAWING PRINT OR DOCUMENT AND SUBJECT MATTER DISCLOSED HEREIN ARE PROPRIETARY ITEMS TO WHICH ENSIGN RETAINS THE EXCLUSIVE RIGHT OF DISSEMINATION, MANUFACTURE AND SALE. THIS DRAWING, PRINT OR DOCUMENT IS SUBMITTED IN CONFIDENCE FOR CONSIDERATION BY THE RECIPIENT ALONE UNLESS PERMISSION FOR FURTHER DISCLOSURE IS EXPRESSLY GRANTED IN WRITING