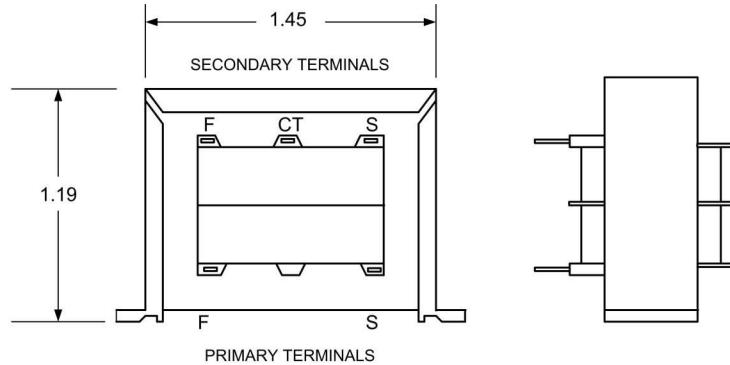
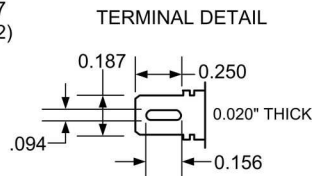
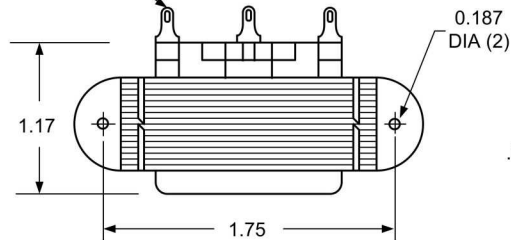


# COMMODORE CLASS - CHASSIS MOUNT WITH QUICK-CONNECT TERMINALS POWER TRANSFORMER



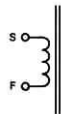
0.187" QUICK-CONNECT OR  
SOLDER LUG TERMINALS



1. Electrical Specifications
  - A. Maximum Power: 2.4VA
  - B. Input Voltage and Frequency: 115V, 230V  
50/60Hz
  - C. Voltage Regulation: 18% TYP @ full load to no load
  - D. Temperature Rise: 20°C TYP
  - E. Insulation Resistance: < 1 MEG ohm
  - F. Hi-Pot: 2500Vrms 1 minute @ Pri to Sec  
2500Vrms 1 minute @ Pri to Core  
1500Vrms 1 minute @ Sec to Core
2. Marking: Ensign Corp, part number (see table), date code, country, terminal number
3. Safety:
  - UL/cUL 5085-2 Recognized (File 47299)
  - UL 1446 Recognized Insulation System (File 95662)
  - UL/cUL 5085-3 Class 2 Recognized (File E43609), models marked (\*)

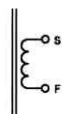


Primary Schematics



Single Input  
(Specify 115V,  
120V, 230V or  
240V)

Secondary Schematics



Single  
Output



Center-Tapped  
Output

Part Number			
115V	115/230V	230V	Secondary
T002-1-510X*	T002-2-510X*	T002-3-510X*	10VCT @ 250mA
T002-1-512X*	T002-2-512X*	T002-3-512X*	12.6VCT @ 200mA
T002-1-516X*	T002-2-516X*	T002-3-516X*	16VCT @ 150mA
T002-1-520X*	T002-2-520X*	T002-3-520X*	20VCT @ 120mA
T002-1-524X*	T002-2-524X*	T002-3-524X*	24VCT @ 100mA
T002-1-528X	T002-2-528X	T002-3-528X	28VCT @ 85mA
T002-1-536X	T002-2-536X	T002-3-536X	36VCT @ 65mA
T002-1-548X	T002-2-548X	T002-3-548X	48VCT @ 50mA
T002-1-556X	T002-2-556X	T002-3-556X	56VCT @ 45mA
T002-1-620X	T002-2-620X	T002-3-620X	120VCT @ 20mA



**POWER TRANSFORMER  
COMMODORE CLASS**

**T002-1-XXXX  
T002-2-XXXX  
T002-3-XXXX**

CONTENTS OF THIS DRAWING ARE SUBJECT TO  
CHANGE WITHOUT PRIOR NOTICE

**Ensign Corporation**  
201 ENSIGN RD., BELLEVUE, IA 52031

Dim: Inches

Sheet 1 of 1

PROPRIETARY NOTICE: THIS DRAWING PRINT OR DOCUMENT AND SUBJECT MATTER DISCLOSED HEREIN ARE PROPRIETARY ITEMS TO WHICH ENSIGN RETAINS THE EXCLUSIVE RIGHT OF DISSEMINATION, MANUFACTURE AND SALE. THIS DRAWING, PRINT OR DOCUMENT IS SUBMITTED IN CONFIDENCE FOR CONSIDERATION BY THE RECIPIENT ALONE UNLESS PERMISSION FOR FURTHER DISCLOSURE IS EXPRESSLY GRANTED IN WRITING