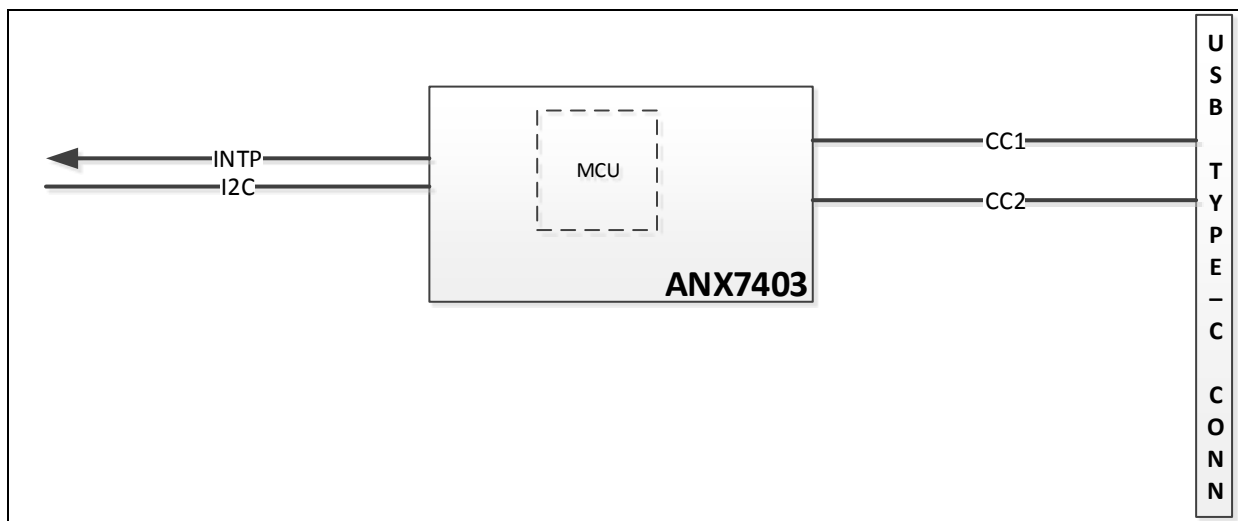


USB-C Channel Configuration (CC) Controller

ANX7403 is a USB Type-C (USB-C™) Channel Configuration (CC) Controller. The ANX7403 has an integrated microcontroller (MCU) to manage the cable detection and role configuration of a USB-C port as defined in the USB Type-C v1.1 specification. ANX7403 is designed as a companion IC to CPUs and application processors to enable notebook PCs, tablets, and smartphones to use the reversible USB Type-C receptacle as a Downstream Facing Port (DFP), Upstream Facing Port (UFP), or Dual-Role Port (DRP).

Features

- Embedded MCU to implement cable detection and role configuration
- 5V-tolerant CC signals
- Dead battery charging support
- I2C slave mode to support communication with AP/CPU/EC
- GPIOs to control external ICs
- 3.3V power supply (1.0V Core power generated by internal regulator)
- Compliant with the following
 - USB Type-C Cable and Connector Specification (rev 1.1)



Related Products

Part Number	Description
ANX7401	USB-PD and Channel Configuration Controller
ANX7408	USB3 Switch, USB-PD and Channel Configuration Controller
ANX7409	USB3 Switch and Channel Configuration Controller
ANX7418	DP Alternate Mode (up to 2L), USB3 Switch, USB-PD and Channel Configuration Controller
ANX7428	DP Alternate Mode (up to 4L), USB3 Switch, USB-PD and Channel Configuration Controller
ANX7802	SlimPort Transmitter (HD, 1080p30) with HDMI input
ANX7805	SlimPort Transmitter (Full-HD, 1080p60) with RGB-24, MIPI-DSI, SPDIF, I ² S and SLIMbus inputs
ANX7814	SlimPort Transmitter (Full-HD, 1080p60) with HDMI input
ANX7816	SlimPort Transmitter (Ultra-HD, 4Kp60) with HDMI input
ANX7730	SlimPort to HDMI (Full-HD, 1080p60 and 3D) converter
ANX7732	SlimPort to VGA (WUXGA, 1920x1080p60) converter
ANX7750	SlimPort to DisplayPort active lane converter

Copyright ©2015 Analogix Semiconductor, Inc.
 3211 Scott Blvd., Suite 103
 Santa Clara, CA 95054, USA
 +1 (408) 988-8848

<http://www.analogix.com/>

©2015 Analogix Semiconductor, Inc. All Rights reserved.

THE INFORMATION CONTAINED IN THIS DOCUMENT IS PROVIDED "AS IS" WITHOUT ANY EXPRESS REPRESENTATIONS OF WARRANTIES. IN ADDITION, ANALOGIX SEMICONDUCTOR INC. DISCLAIMS ALL IMPLIED REPRESENTATIONS AND WARRANTIES, INCLUDING ANY WARRANTY OF MERCHANTABILITY, FITNESS FOR A PARTICULAR PURPOSE, OR NON-INFRINGEMENT OF THIRD PARTY INTELLECTUAL PROPERTY RIGHTS.

This document contains proprietary information of Analogix Semiconductor, Inc. or under license from third parties. No part of this document may be reproduced in any form or by any means or transferred to any third party without the prior written consent of Analogix Semiconductor, Inc.

The information contained in this document is not designed or intended for use in on-line control of aircraft, aircraft navigation or aircraft communications; or in the design, construction, operation or maintenance of any nuclear facility. Analogix disclaims any express or implied warranty of fitness for such uses.

Analogix Semiconductor, Inc., the Analogix Logo, and WideEye™ SerDes, CoolHD™, and SlimPort® are trademarks of Analogix Semiconductor, Inc., in the United States and other countries.

HDMI, the HDMI logo and High-Definition Multimedia Interface are trademarks or registered trademarks of HDMI Licensing LLC.

DisplayPort and the DisplayPort logo are trademarks or registered trademarks of the Video Electronics Standards Association, VESA®.

USB and the USB logo are trademarks or registered trademarks of USB Implementers Forum, Inc., creators of USB technology.

All other trademarks and registered trademarks are the property of their respective owners.