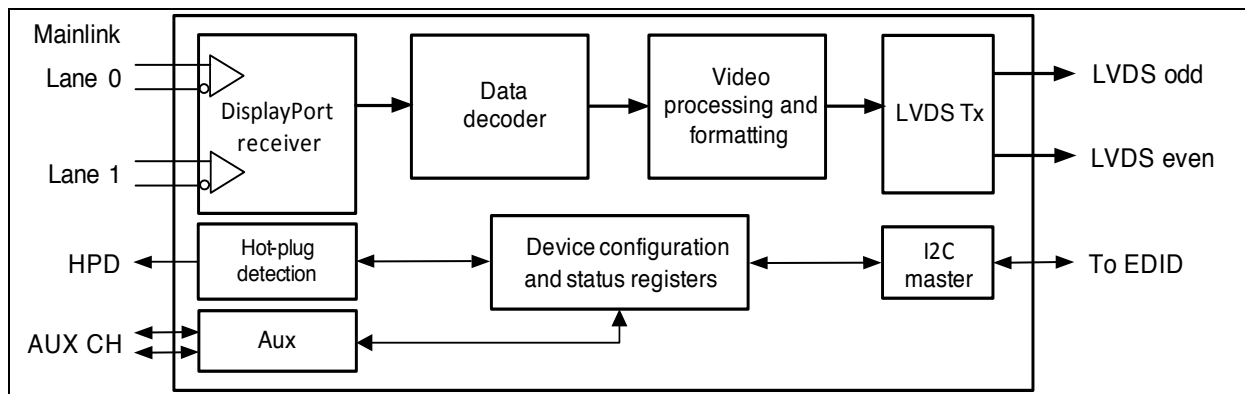


Low Cost DisplayPort™ to LVDS Converter

ANX1120AC is a low cost high quality DisplayPort to LVDS converter offering up to 24-bits per pixel and single/dual channel LVDS output support. It provides a bridge between DisplayPort-enabled next generation source devices such as GPUs and existing LVDS displays. Featuring low power and EMI reduction techniques along with its low cost and small form factor, the ANX1120AC is ideal for motherboards and systems with embedded displays.

Features

- VESA compliant DisplayPort 1.1a receiver
 - Configurable 1 or 2 lane operation
 - 1.62/2.7Gbps data rate
 - AUX channel link up to 1Mbps bandwidth
 - All DisplayPort receiver side registers accessible by the AUX channel and I2C slave interface
 - Spread spectrum clock (SSC) support for improved EMI performance
- Single/dual channel LVDS output
 - Single channel: up to 102.5MHz pixel clock
 - Dual channel: up to 205 MHz pixel clock
 - Up to 24-bits per pixel
- Video modes
 - up to 1920 x 1200 @ 60Hz (205MHz)
 - 18 / 24 bits per pixel support
- LVDS spread spectrum clocking for reduced EMI
- Low BOM cost, no local MCU required
 - Fully controllable via DisplayPort Tx through AUX channel
- Low power design supporting several power saving modes
- Selectable 3.3/1.2V or 2.5/1.2V operation
- JTAG supported for board level debug
- Package:
 - 64-pin QFN (9mm × 9mm)
 - RoHS compliant and Halogen free





Related Products

Part Number	Description
ANX1121	Single channel DP to LVDS translator
ANX1122	DisplayPort to LVDS translator with 24-bpp LVDS output

Copyright ©2014 Analogix Semiconductor, Inc.
3211 Scott Blvd., Suite 103
Santa Clara, CA 95054, USA
+1 (408) 988-8848

<http://www.analogix.com/>

©2014 Analogix Semiconductor, Inc. All Rights reserved.

THE INFORMATION CONTAINED IN THIS DOCUMENT IS PROVIDED "AS IS" WITHOUT ANY EXPRESS REPRESENTATIONS OF WARRANTIES. IN ADDITION, ANALOGIX SEMICONDUCTOR INC. DISCLAIMS ALL IMPLIED REPRESENTATIONS AND WARRANTIES, INCLUDING ANY WARRANTY OF MERCHANTABILITY, FITNESS FOR A PARTICULAR PURPOSE, OR NON-INFRINGEMENT OF THIRD PARTY INTELLECTUAL PROPERTY RIGHTS.

This document contains proprietary information of Analogix Semiconductor, Inc. or under license from third parties. No part of this document may be reproduced in any form or by any means or transferred to any third party without the prior written consent of Analogix Semiconductor, Inc.

The information contained in this document is not designed or intended for use in on-line control of aircraft, aircraft navigation or aircraft communications; or in the design, construction, operation or maintenance of any nuclear facility. Analogix disclaims any express or implied warranty of fitness for such uses.

Analogix Semiconductor, Inc., the Analogix Logo, and WideEye™ SerDes, SlimPort®, and CoolHD® are trademarks of Analogix Semiconductor, Inc., in the United States and other countries.

HDMI, the HDMI logo and High-Definition Multimedia Interface are trademarks or registered trademarks of HDMI Licensing LLC.

DisplayPort and the DisplayPort logo are trademarks or registered trademarks of the Video Electronics Standards Association, VESA®.

USB and the USB logo are trademarks or registered trademarks of USB Implementers Forum, Inc., creators of USB technology.

All other trademarks and registered trademarks are the property of their respective owners.