

Customer Information Sheet

DRAWING No.: M80-5T10000M3-XX-000-00-000

IF IN DOUBT - ASK

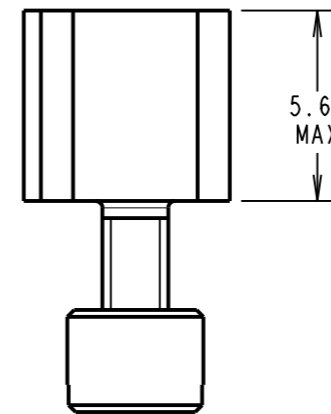
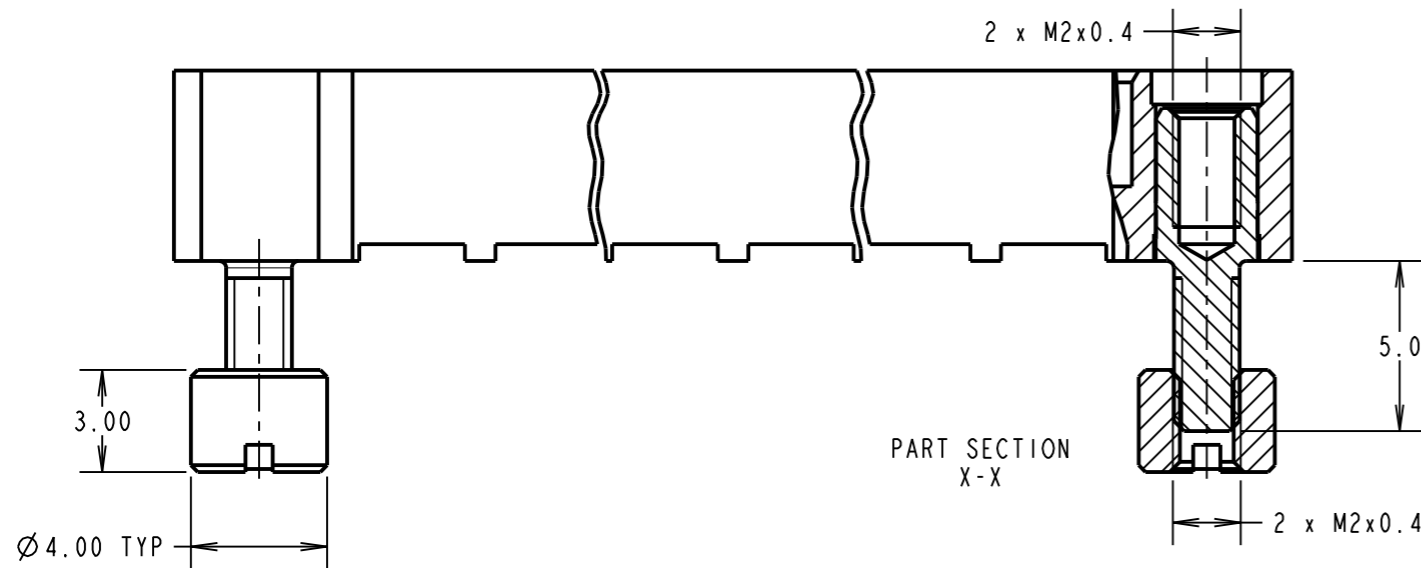
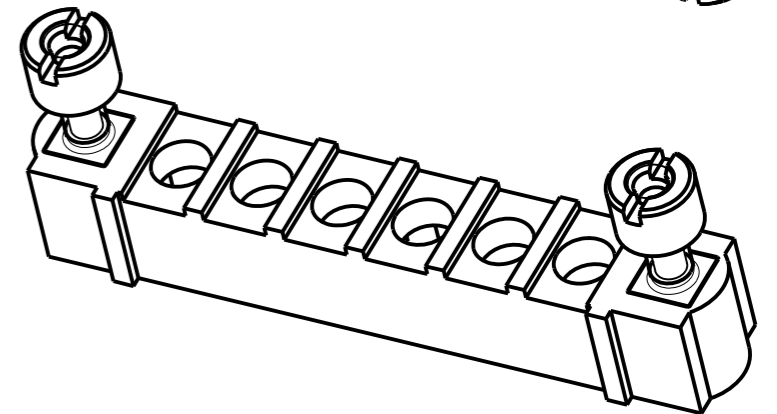
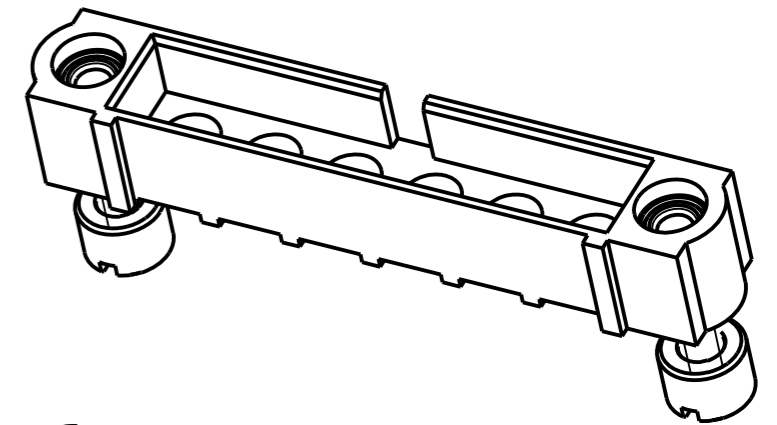
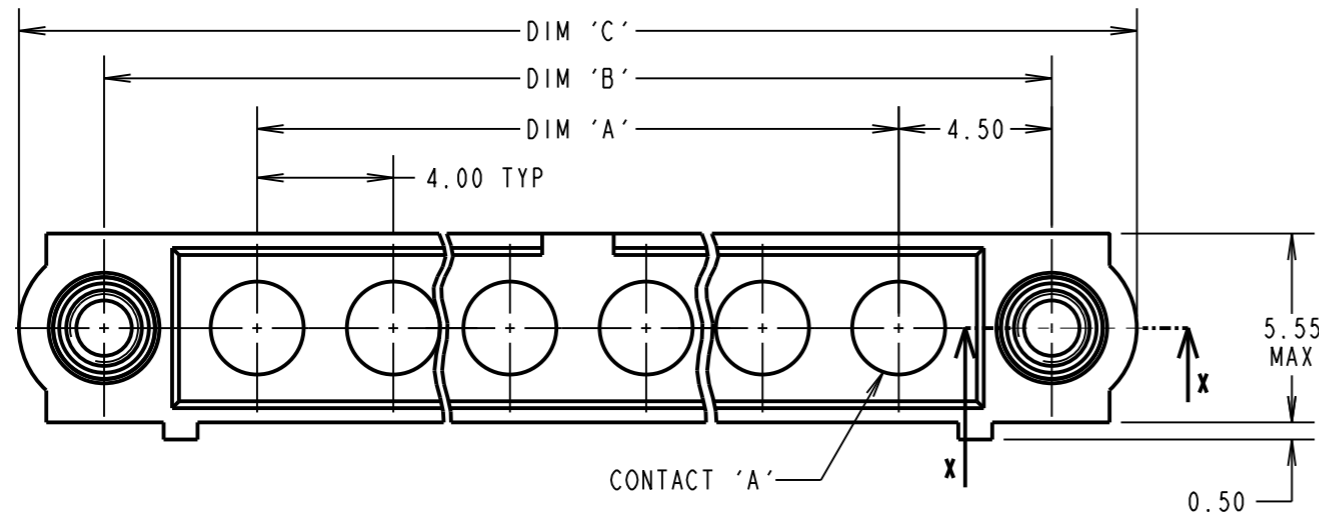
©

NOT TO SCALE

THIRD ANGLE PROJECTION

ALL DIMENSIONS IN mm

DESIGNED FOR HARWIN PC TAIL CONTACTS. FITTED BY HARWIN APPROVED CONTRACTOR ONLY.
(NOT SUPPLIED WITH THIS PART NUMBER.)



DIMENSION	CALCULATION
DIM 'A'	4 x No. OF POSITIONS - 4.00
DIM 'B'	4 x No. OF POSITIONS + 5.00
DIM 'C'	4 x No. OF POSITIONS + 10.00

EXAMPLE: CONNECTOR WITH 10 POSITIONS.
M80-5T10000M3-10-000-00-000
DIM 'A' = 36.00mm, DIM 'B' = 45.00mm, DIM 'C' = 50.00mm

MGP	I	27.11.13	-----
NAME	ISS.	DATE	C/NOTE
APPROVED: MGP			
CHECKED: SB			
DRAWN: MARK G PLESTED			
CUSTOMER REF.:			
ASSEMBLY DRG:			

SPECIFICATIONS:

MATERIAL:
MOULDING: GLASS FILLED PPS, UL94V-0, BLACK
JACKSCREW AND NUT: STAINLESS STEEL
ENVIRONMENTAL:
TEMPERATURE RANGE = -55°C TO +125°C
PACKING:
BAG
FOR COMPLETE SPECIFICATION SEE COMPONENT SPECIFICATION C005XX (LATEST ISSUE)

ORDER CODE:

M80-5T10000M3-XX-000-00-000

TOTAL No. OF POSITIONS
02 TO 12

HARWIN

www.harwin.com
technical@harwin.com

THIS DRAWING AND ANY INFORMATION OR DESCRIPTIVE MATTER SET OUT HEREON ARE CONFIDENTIAL AND COPYRIGHT PROPERTY OF THE HARWIN GROUP AND MUST NOT BE DISCLOSED, LOANED, COPIED OR USED FOR MANUFACTURING, TENDERING OR FOR ANY OTHER PURPOSE WITHOUT THEIR WRITTEN PERMISSION.

TOLERANCES
X. = ±1mm
X.X = ±0.25mm
X.XX = ±0.10mm
X.XXX = ±0.01mm
ANGLES = ±5°
UNLESS STATED

MATERIAL:
SEE ABOVE
FINISH: SEE ABOVE
S/AREA: mm²

TITLE: DATAMATE MIX-TEK MALE ASSEMBLY WITH BOARD MOUNT J/SCREW
DRAWING NUMBER: M80-5T10000M3-XX-000-00-000
SHT 2 OF 2