

Customer Information Sheet

DRAWING No.: M80-311 TO M80-312

SHEET 2 OF 2

IF IN DOUBT - ASK

©

NOT TO SCALE

THIRD ANGLE PROJECTION

ALL DIMENSIONS IN mm

SPECIFICATIONS:

MATERIALS:

BODY AND INNER CONTACT = COPPER ALLOY
INSULATOR = PTFE

FINISH:

BODY, INNER CONTACT = GOLD

ELECTRICAL:

FREQUENCY RANGE = 6GHz
IMPEDANCE = 50Ω
V.S.W.R. = $1.05 + (0.04 \times \text{FREQUENCY})$ GHz MAX
CONTACT RESISTANCE = $6m\Omega$ MAX

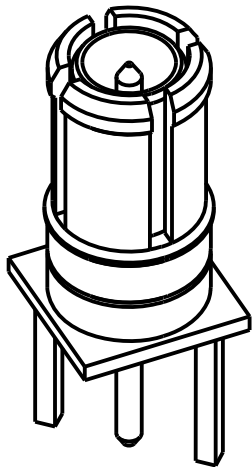
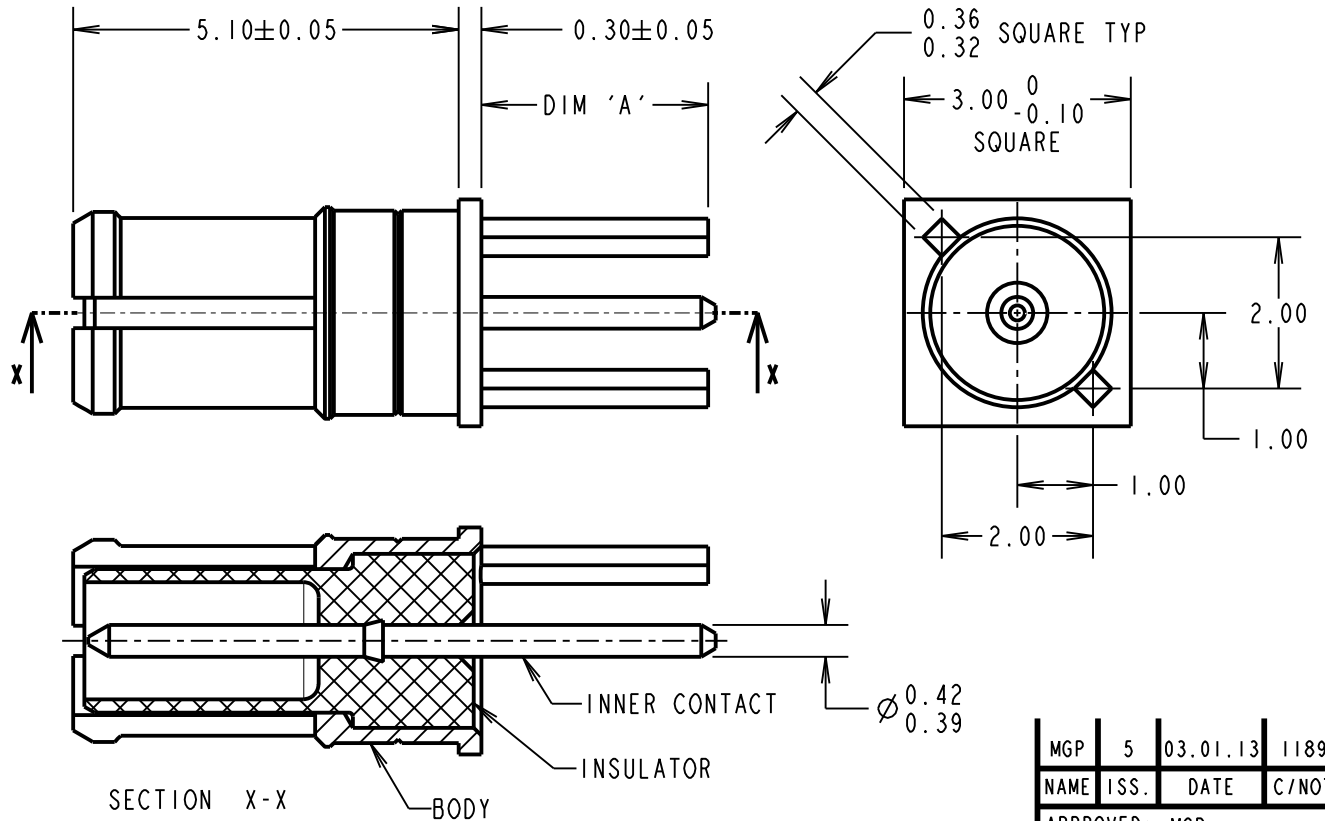
INSULATION RESISTANCE = $10^6 M\Omega$ @250V AC
OPERATING VOLTAGE = 180V AC @ 500mA
MAXIMUM VOLTAGE = 1,000V AC

MECHANICAL:

DURABILITY = 500 OPERATIONS
INSERTION FORCE = 8N MAX
WITHDRAWAL FORCE = 0.5N MIN
CONTACT REPLACEMENT IN INSULATOR = 5 TIMES

ENVIRONMENTAL:

TEMPERATURE RANGE = -55°C TO $+125^\circ\text{C}$



NOTES:

- CONNECTORS COMES SUPPLIED ASSEMBLED.
- RECOMMENDED PCB HOLE SIZE = $\varnothing 0.60\text{mm}$ MIN.
- FOR ALL OTHER ELECTRICAL/ MECHANICAL REQUIREMENTS, SEE COMPONENT SPECIFICATION C005XX (LATEST ISSUE).

PART No.	DIM 'A'
M80-311	3.00
M80-312	4.50

MGP	5	03.01.13	11898
NAME	ISS.	DATE	C/NOTE
APPROVED: MGP			
CHECKED: SB			
DRAWN: W. J. BOURNE			
CUSTOMER REF.:			
ASSEMBLY DRG:			

HARWIN

www.harwin.com
technical@harwin.com

THIS DRAWING AND ANY INFORMATION OR DESCRIPTIVE MATTER SET OUT HEREON ARE CONFIDENTIAL AND COPYRIGHT PROPERTY OF THE HARWIN GROUP AND MUST NOT BE DISCLOSED, LOANED, COPIED OR USED FOR MANUFACTURING, TENDERING OR FOR ANY OTHER PURPOSE WITHOUT THEIR WRITTEN PERMISSION.

TOLERANCES
X. = $\pm 1\text{mm}$
X.X = $\pm 0.25\text{mm}$
X.XX = $\pm 0.10\text{mm}$
X.XXX = $\pm 0.01\text{mm}$
ANGLES = $\pm 5^\circ$
UNLESS STATED

MATERIAL:

SEE ABOVE

FINISH: SEE ABOVE

S/AREA:

mm²

TITLE: DATAMATE MIX-TEK
COAX CONTACT
MALE VERTICAL PC-TAIL

DRAWING NUMBER:

M80-311 TO M80-312

SHT
2 OF 2