

# Customer Information Sheet

DRAWING No.: M22-55202XXR

SHEET 2 OF 2

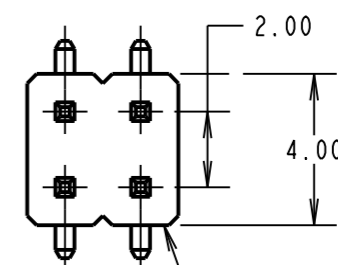
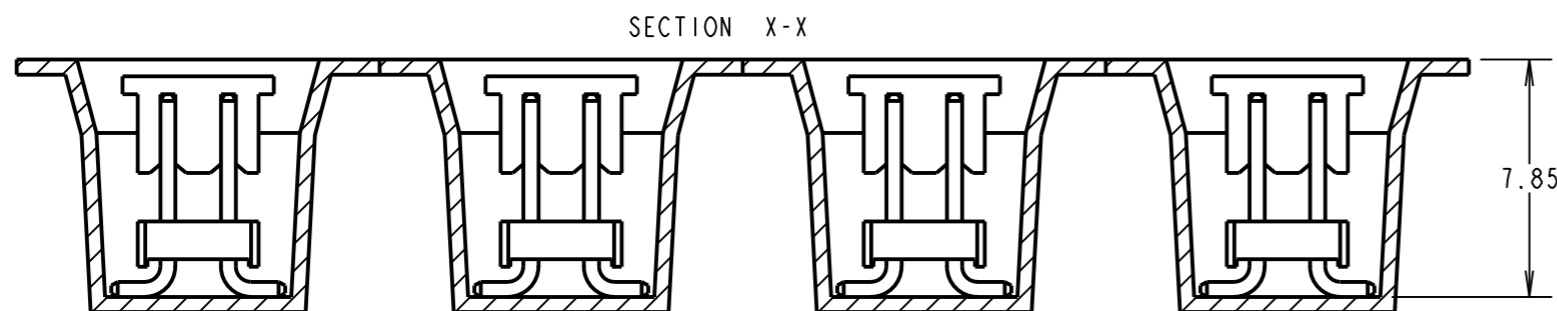
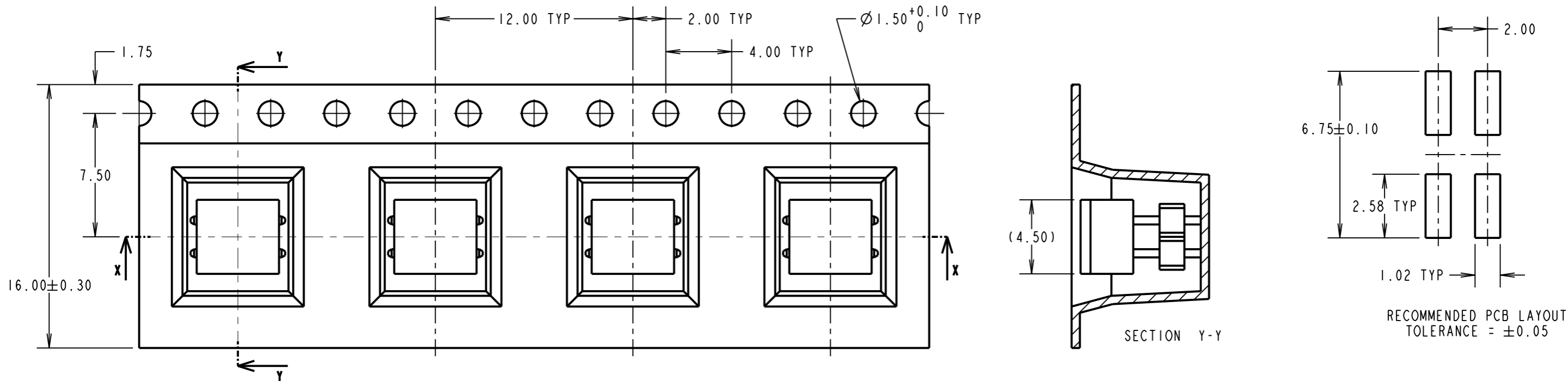
IF IN DOUBT - ASK

©

NOT TO SCALE

THIRD ANGLE PROJECTION

ALL DIMENSIONS IN mm



**NOTES:**

- SEE DRAWING M22-552XXXXP FOR TUBE PACKED VERSION OR M22-552XXXX FOR STANDARD PRODUCT.
- PICK AND PLACE CAP IS 5.00±0.15mm IN WIDTH AND 4.50±0.20mm IN LENGTH. CAP IS LOCATED CENTRALLY ON THE CONNECTOR.
- ALL PRODUCT IS LEAD-FREE.

**SPECIFICATIONS:**

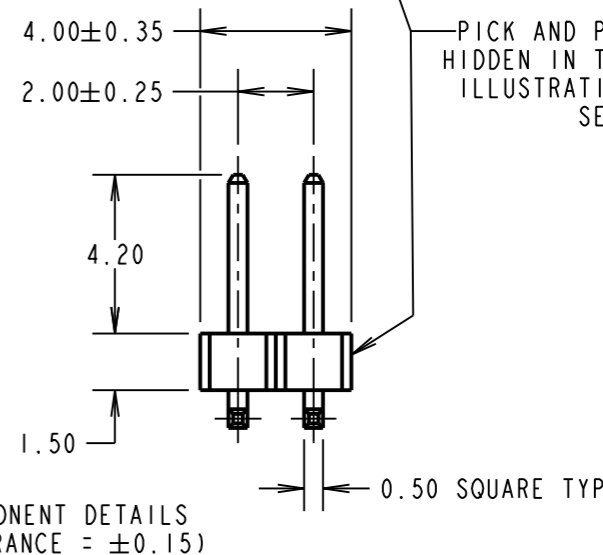
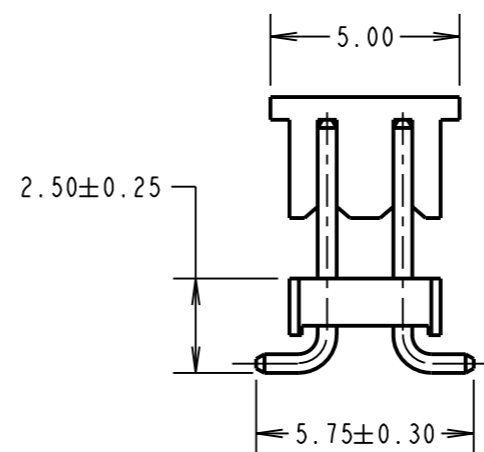
**MATERIAL:**  
 MOULDING, PICK & PLACE CAP = NYLON 6T, UL94V-0, BLACK  
 CONTACTS = PHOSPHOR BRONZE

**FINISH:**  
 05 = GOLD FLASH OVER NICKEL  
 46 = 100% TIN OVER NICKEL

**ELECTRICAL:**  
 CURRENT RATING = 2A  
 VOLTAGE PROOF = 500V AC FOR ONE MINUTE  
 CONTACT RESISTANCE = 20mΩ MAX  
 INSULATION RESISTANCE:  
 INITIAL = 1,000MΩ MIN

**MECHANICAL:**  
 DURABILITY = 300 OPERATIONS MIN  
**ENVIRONMENTAL:**  
 TEMPERATURE RANGE = -40°C TO +105°C  
 FOR COMPLETE SPECIFICATION, SEE  
 COMPONENT SPECIFICATION C018XX (LATEST ISSUE)

ORDER CODE:	<b>M22-55202XXR</b>
No. OF CONTACTS PER ROW	02
FINISH	05 - GOLD FLASH OVER NICKEL 46 - 100% TIN OVER NICKEL



COMPONENT DETAILS  
 (TOLERANCE = ±0.15)

SB	2	11.12.13	12305
NAME	ISS.	DATE	C/NOTE
APPROVED:		S.BENNETT	
CHECKED:		S.FLOWER	
DRAWN:		S.BENNETT	
CUSTOMER REF.:			
ASSEMBLY DRG:			

**HARWIN**

www.harwin.com  
 technical@harwin.com

THIS DRAWING AND ANY INFORMATION OR DESCRIPTIVE MATTER SET OUT HEREON ARE CONFIDENTIAL AND COPYRIGHT PROPERTY OF THE HARWIN GROUP AND MUST NOT BE DISCLOSED, LOANED, COPIED OR USED FOR MANUFACTURING, TENDERING OR FOR ANY OTHER PURPOSE WITHOUT THEIR WRITTEN PERMISSION.

**TOLERANCES**  
 X. = ±1mm  
 X.X = ±0.25mm  
 X.XX = ±0.10mm  
 X.XXX = ±0.01mm  
 ANGLES = ±5°  
 UNLESS STATED

**MATERIAL:**  
 SEE ABOVE  
**FINISH:** SEE ABOVE  
**S/AREA:** mm<sup>2</sup>

**TITLE:** 2.00mm PITCH DIL  
 SMT PIN HEADER ASSEMBLY  
 (IN TAPE AND REEL)

**DRAWING NUMBER:**  
**M22-55202XXR**

SHT  
 2 OF 2