

# Customer Information Sheet

DRAWING No.: M22-5330305R

SHEET 2 OF 2

IF IN DOUBT - ASK

©

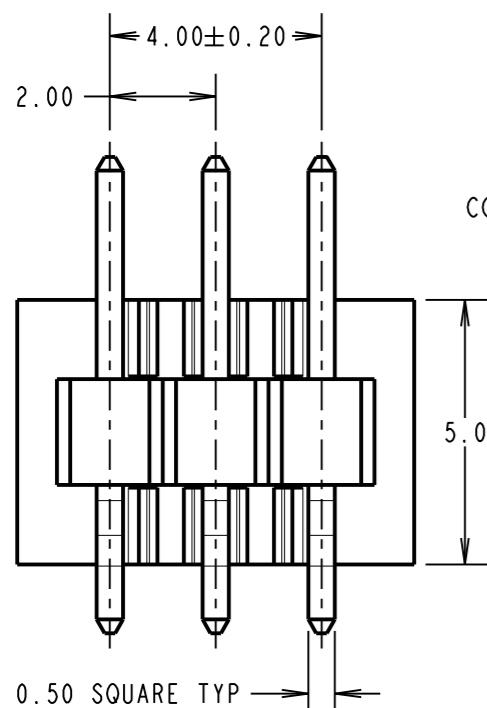
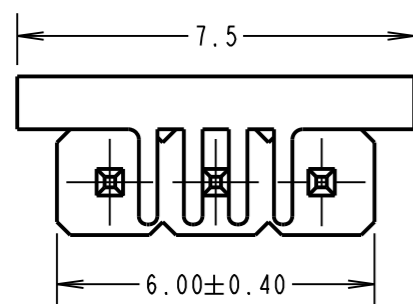
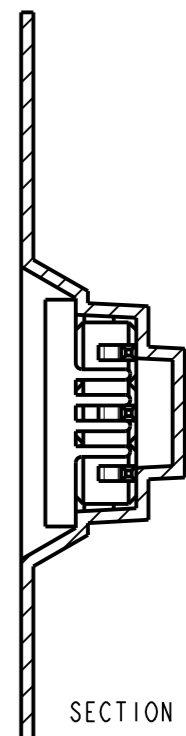
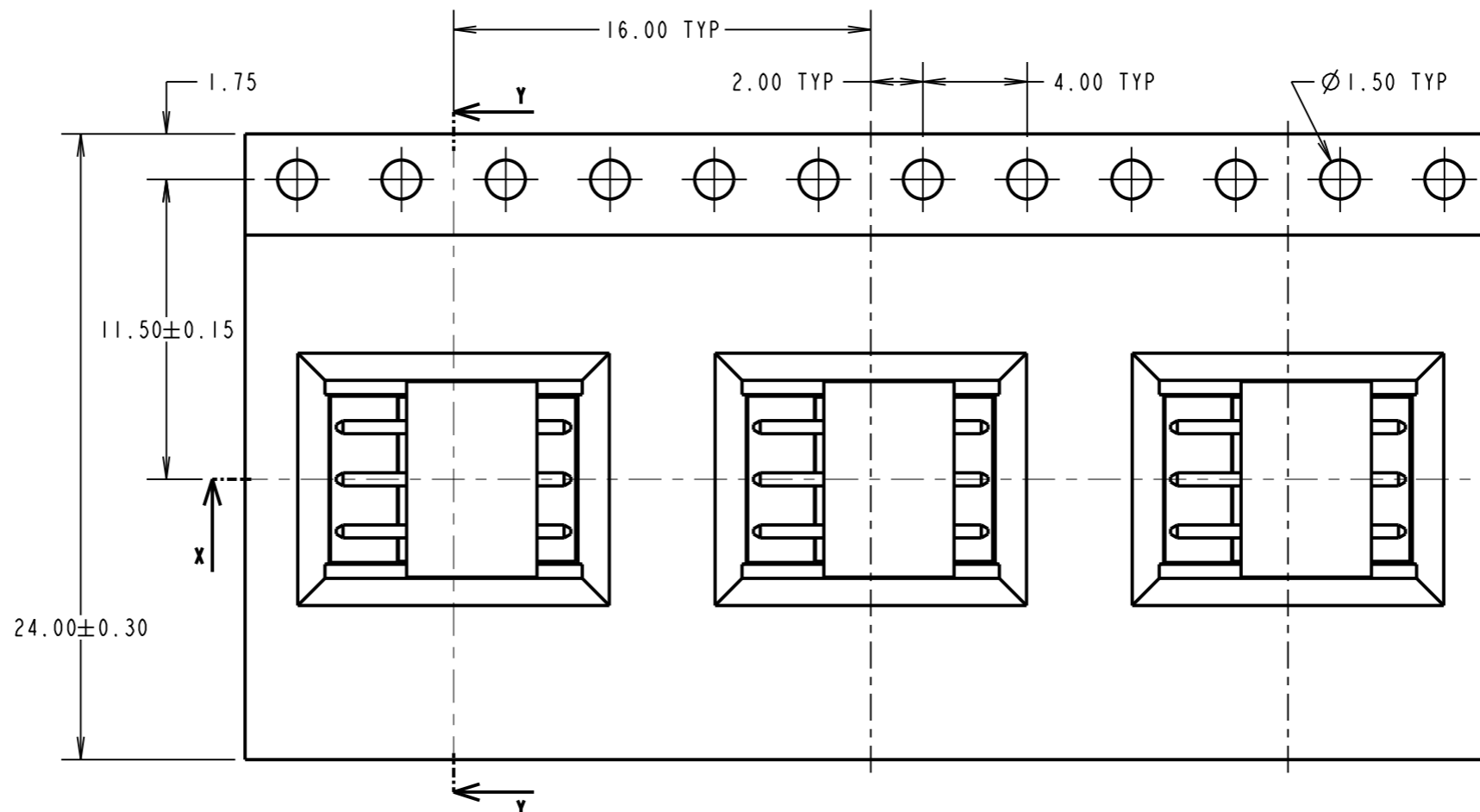
NOT TO SCALE

THIRD ANGLE PROJECTION

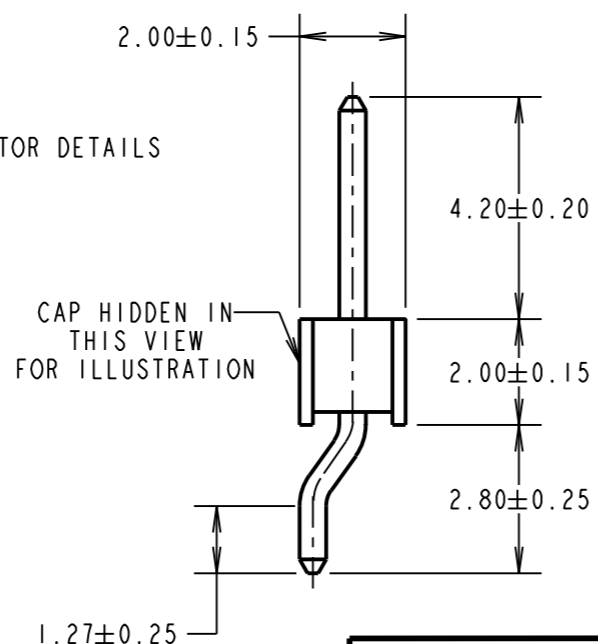
ALL DIMENSIONS IN mm

ORDER CODE:  
**M22-5330305R**  
No. OF CONTACTS:  
03

SPECIFICATION:  
MATERIAL:  
MOULDING = PA6T UL94V-0, BLACK  
CONTACT = BRASS  
FINISH:  
CONTACT = GOLD FLASH OVER NICKEL  
ELECTRICAL:  
CURRENT RATING = 1.5A  
CONTACT RESISTANCE = 20mΩ MAX  
INSULATION RESISTANCE = 1000 MΩ MIN  
DIELECTRIC STRENGTH = 500V AC/DC MINUTE  
ENVIRONMENTAL:  
TEMPERATURE RANGE = -40°C TO +105°C  
FOR COMPLETE SPECIFICATION, SEE COMPONENT SPECIFICATION C018XX (LATEST ISSUE)

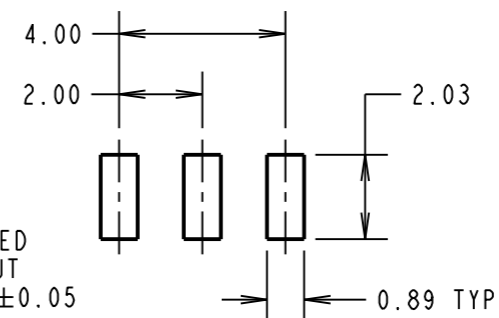


CONNECTOR DETAILS



SECTION X-X

RECOMMENDED  
PAD LAYOUT  
TOLERANCE = ±0.05



NOTES:  
1. FOR LOOSE PACKED PART, SEE DRAWING M22-533XX05.

SB	1	21.03.14	-----
NAME	ISS.	DATE	C/NOTE
APPROVED:		S.BENNETT	
CHECKED:		M.PLESTED	
DRAWN:		S.BENNETT	
CUSTOMER REF.:			
ASSEMBLY DRG:			

**HARWIN**

www.harwin.com  
technical@harwin.com

THIS DRAWING AND ANY INFORMATION OR DESCRIPTIVE MATTER SET OUT HEREON ARE CONFIDENTIAL AND COPYRIGHT PROPERTY OF THE HARWIN GROUP AND MUST NOT BE DISCLOSED, LOANED, COPIED OR USED FOR MANUFACTURING, TENDERING OR FOR ANY OTHER PURPOSE WITHOUT THEIR WRITTEN PERMISSION.

TOLERANCES  
X. = ±1mm  
X.X = ±0.25mm  
X.XX = ±0.10mm  
X.XXX = ±0.01mm  
ANGLES = ±5°  
UNLESS STATED

MATERIAL:  
SEE ABOVE  
FINISH: SEE ABOVE  
S/AREA: mm<sup>2</sup>

TITLE:  
2.00mm PITCH SIL HORIZONTAL  
SMT PIN HEADER ASSEMBLY IN T&R

DRAWING NUMBER:  
**M22-5330305R**

SHT  
2 OF 2