

Customer Information Sheet

DRAWING No.: M20-787XXXXR

SHEET 3 OF 4

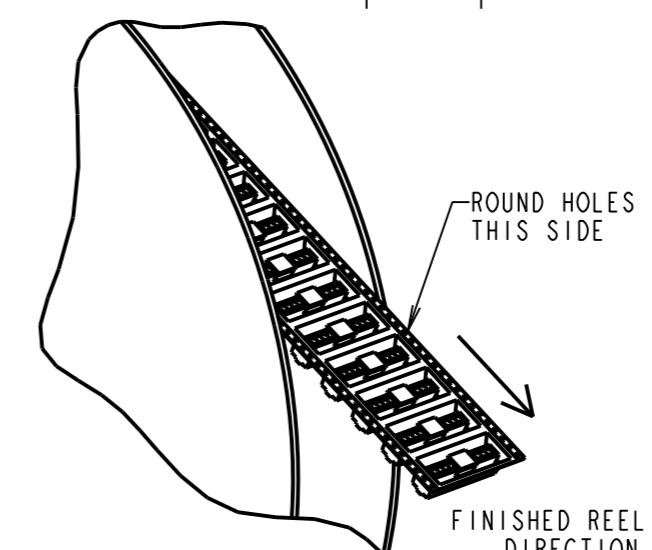
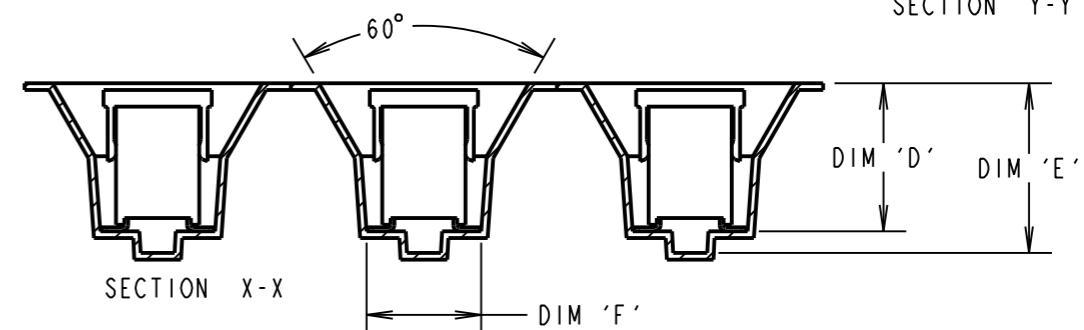
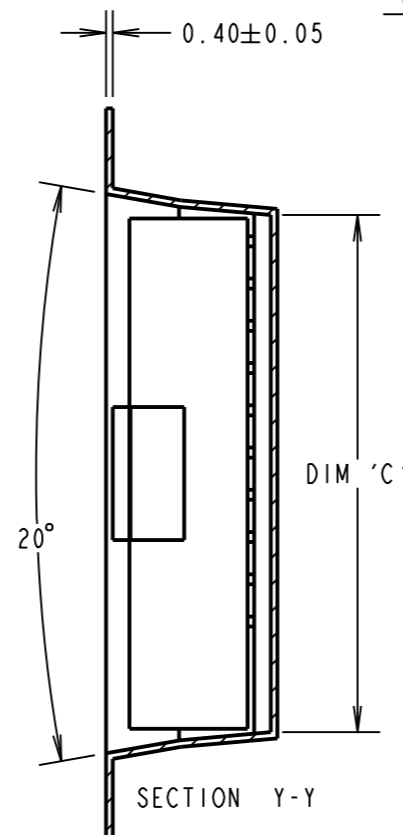
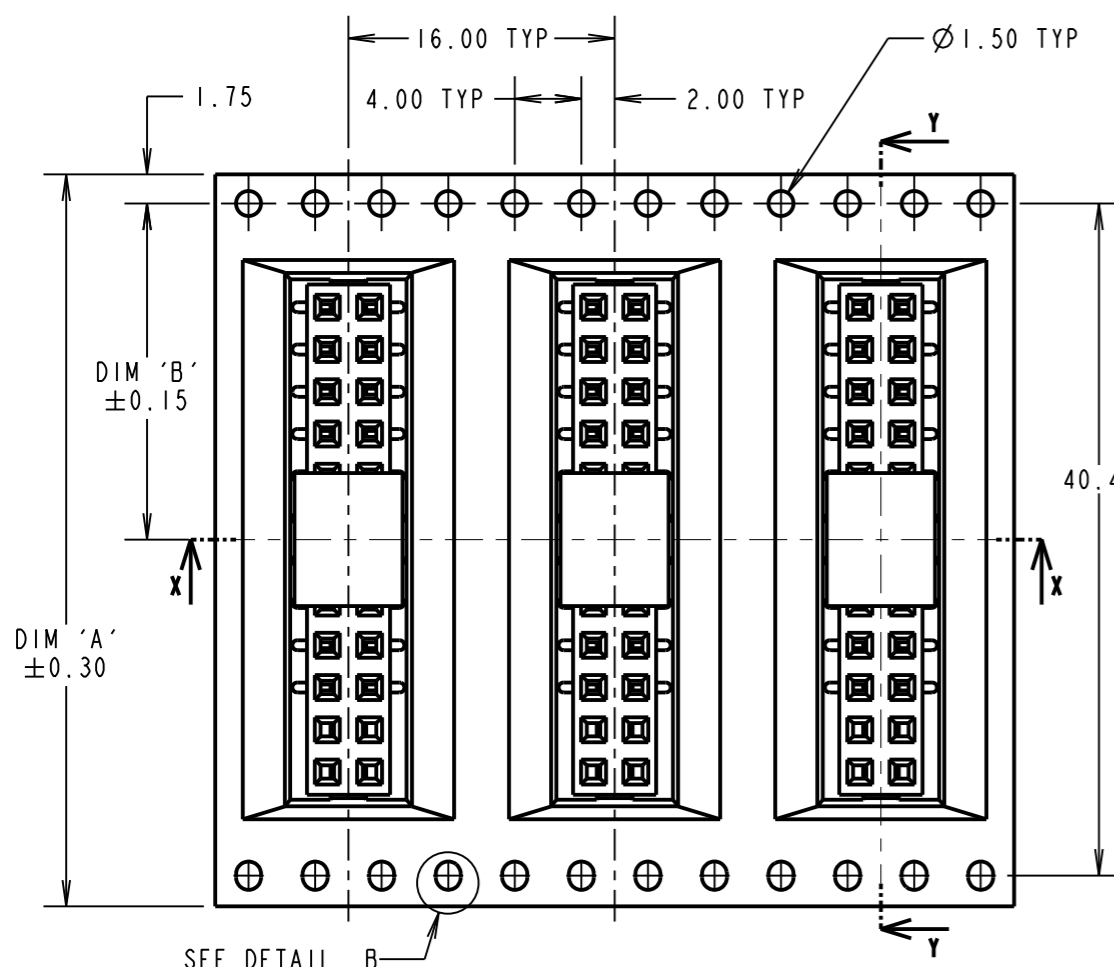
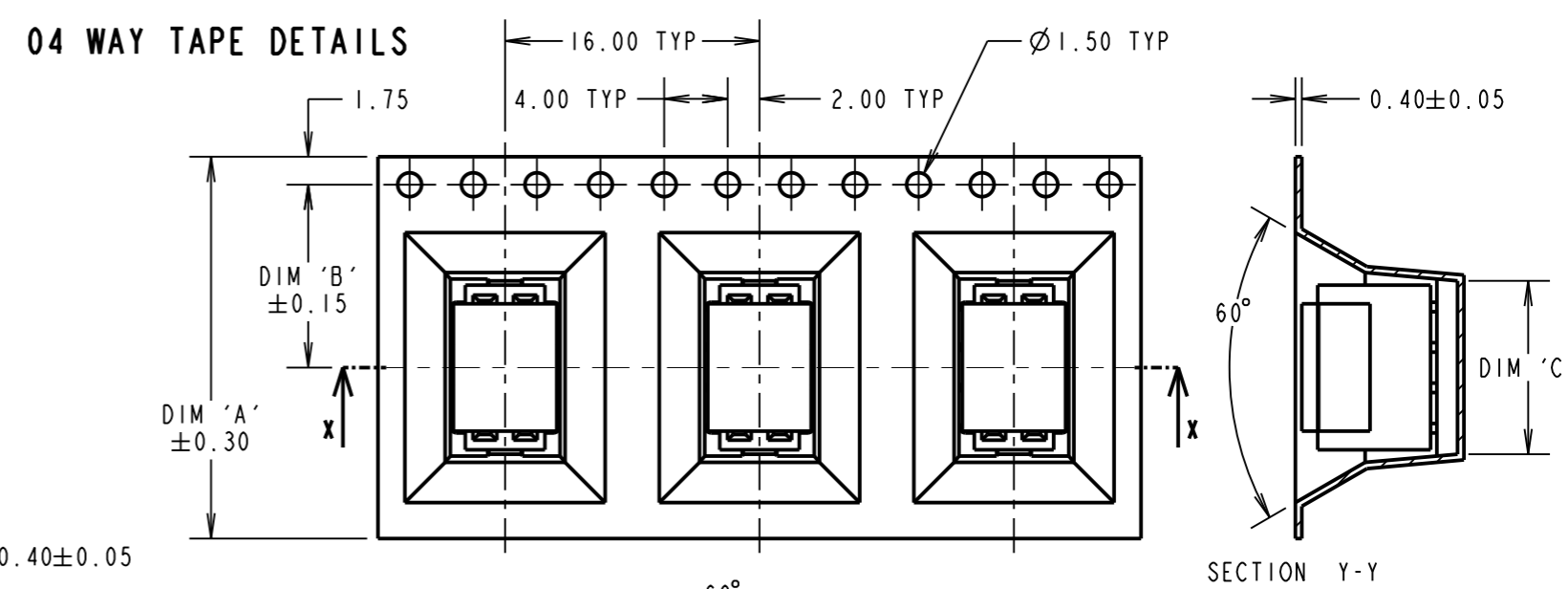
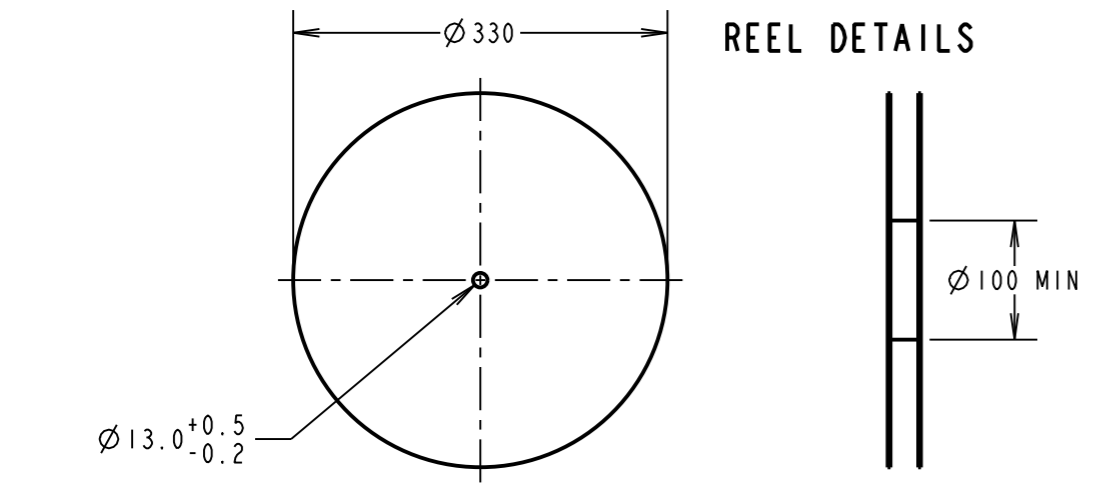
IF IN DOUBT - ASK

(C)

NOT TO SCALE

THIRD ANGLE PROJECTION

ALL DIMENSIONS IN mm



ORDER CODE:

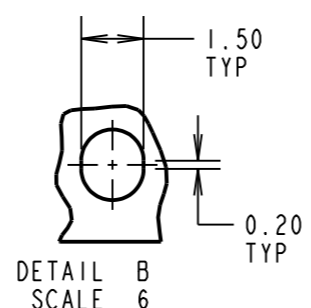
M20-787XX42R

No. OF CONTACTS PER ROW: 04, 08, 12

FINISH: 42 = 100% TIN WITH GOLD FLASH

SB	6	06.03.13	11951
NAME	ISS.	DATE	C/NOTE
APPROVED: S.BENNETT			
CHECKED: M.PLESTED			
DRAWN: R.ADE			
CUSTOMER REF.:			
ASSEMBLY DRG:			

PART NO.	DIM 'A'	DIM 'B'	DIM 'C'	DIM 'D'	DIM 'E'	DIM 'F'
M20-7870442R	24.00	11.50	10.90	8.90	10.20	6.90
M20-7870842R	44.00	20.20	20.80	8.85	9.95	7.12
M20-7871242R	44.00	20.20	31.10	8.90	9.90	7.00



08 & 12 WAY TAPE DETAILS

NOTES:
1. FOR CONNECTOR DIMENSIONS, SEE SHEET 4.
2. QUANTITY OF COMPONENTS PER REEL = 400.

HARWIN

www.harwin.com
technical@harwin.com

THIS DRAWING AND ANY INFORMATION OR DESCRIPTIVE MATTER SET OUT HEREON ARE CONFIDENTIAL AND COPYRIGHT PROPERTY OF THE HARWIN GROUP AND MUST NOT BE DISCLOSED, LOANED, COPIED OR USED FOR MANUFACTURING, TENDERING OR FOR ANY OTHER PURPOSE WITHOUT THEIR WRITTEN PERMISSION.

TOLERANCES
X. = $\pm 1\text{mm}$
X.X = $\pm 0.25\text{mm}$
X.XX = $\pm 0.10\text{mm}$
X.XXX = $\pm 0.01\text{mm}$
ANGLES = $\pm 5^\circ$
UNLESS STATED

MATERIAL: SEE SHEET 1
FINISH: SEE SHEET 1
S/AREA: mm²

TITLE: 2.54mm PITCH DIL VERTICAL FEMALE SMT SKT ASSY DUAL ENTRY
DRAWING NUMBER: **M20-787XX42R**
SHT 3 OF 4

Customer Information Sheet

DRAWING No.: M20-787XXXXR

SHEET 4 OF 4

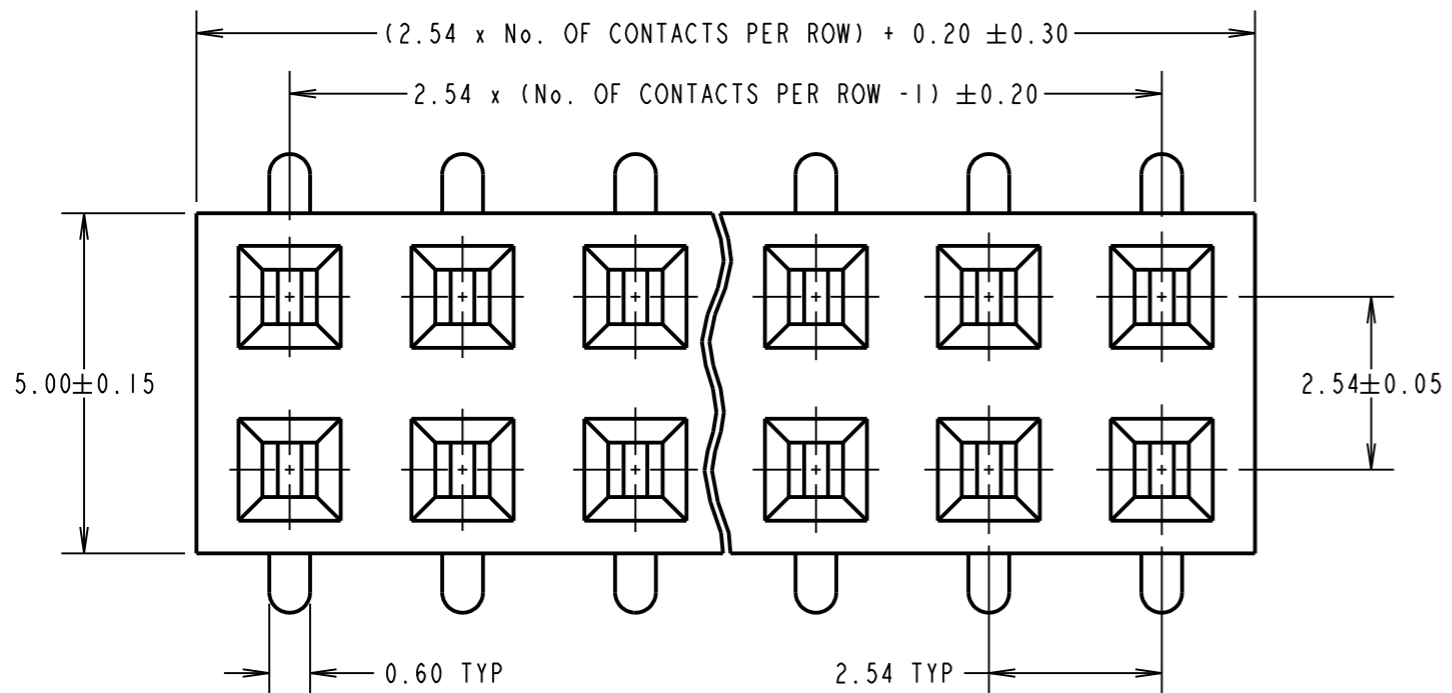
IF IN DOUBT - ASK

©

NOT TO SCALE

THIRD ANGLE PROJECTION

ALL DIMENSIONS IN mm

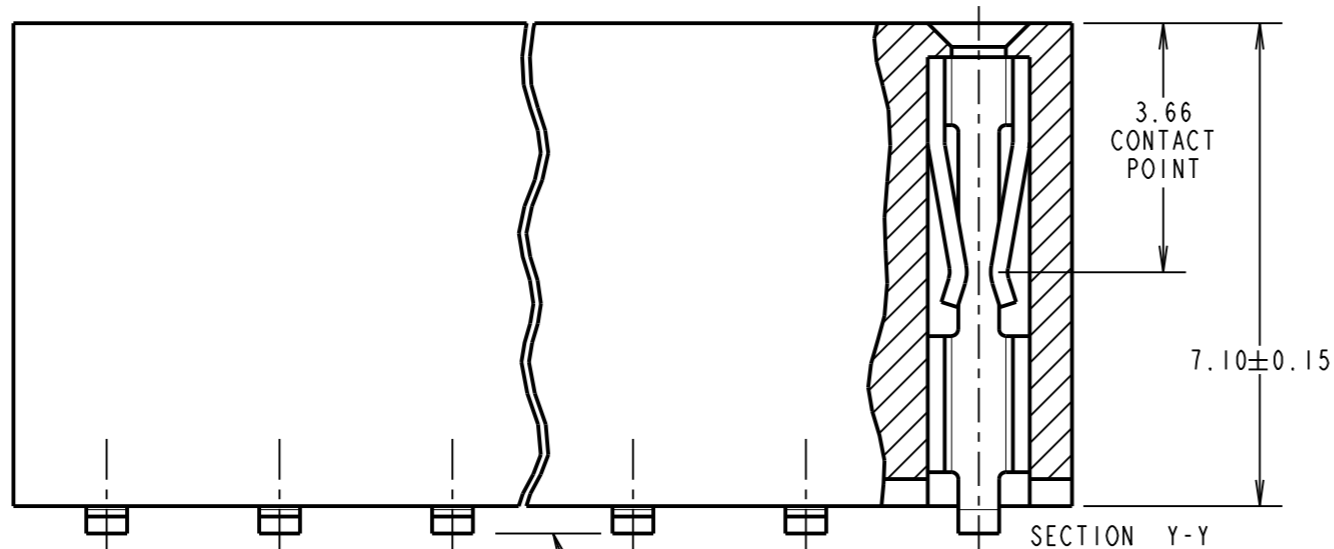


ORDER CODE:

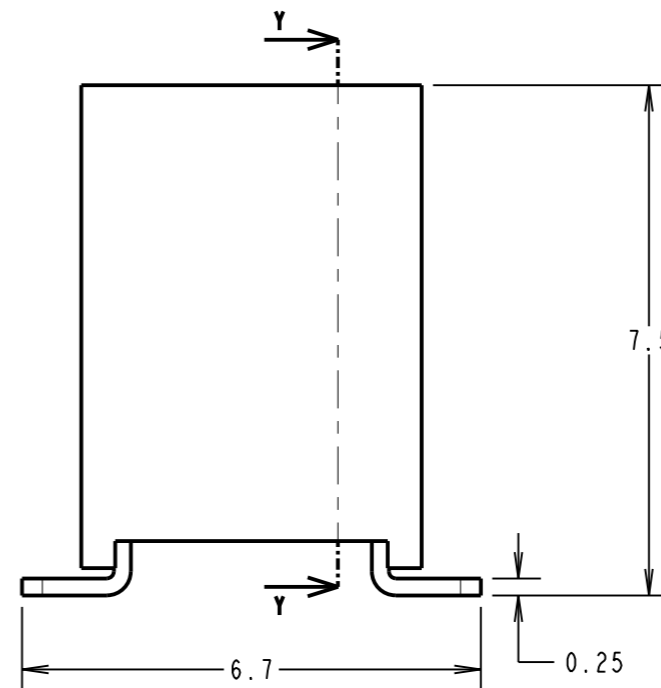
M20-787XX42R

No. OF CONTACTS PER ROW: 04, 08, 12

FINISH: 42 = 100% TIN WITH GOLD FLASH



COPLANAR SEE TABLE



No OF CONTACTS	COPLANARITY TOLERANCE
2 x 04	0.12mm MAX
2 x 08	0.12mm MAX
2 x 12	0.15mm MAX

SPECIFICATION:

MATERIAL:

MOULDING = NYLON 6T UL94V-0, BLACK
CONTACTS = PHOSPHOR BRONZE

FINISH (OVER NICKEL):

42 = GOLD ON CONTACT AREA, 100% TIN ON TAILS
46 = 100% TIN

ELECTRICAL:

CURRENT RATING = 3A
DIELECTRIC WITHSTANDING VOLTAGE = 800V AC FOR 1 MINUTE
CONTACT RESISTANCE = 20mΩ MAX
INSULATION RESISTANCE = 1,000MΩ MIN

MECHANICAL:

INSERTION FORCE = 2.0N MAX
WITHDRAWAL FORCE = 0.3N MIN

ENVIRONMENTAL:

TEMPERATURE RANGE = -40° TO +105°

PACKING:

REEL

FOR COMPLETE SPECIFICATION SEE COMPONENT SPECIFICATION C001XX (LATEST ISSUE).

NOTES:

- FOR TAPE AND REEL DETAILS, SEE SHEET 3.
- CO-PLANARITY: FLATNESS OF SMT TAILS MUST NOT EXCEED VALUES GIVEN IN TABLE.

SB	6	06.03.13	11951
NAME	ISS.	DATE	C/NOTE
APPROVED: S.BENNETT			
CHECKED: M.PLESTED			
DRAWN: R.ADDE			
CUSTOMER REF.:			
ASSEMBLY DRG:			

HARWIN

www.harwin.com
technical@harwin.com

THIS DRAWING AND ANY INFORMATION OR DESCRIPTIVE MATTER SET OUT HEREON ARE CONFIDENTIAL AND COPYRIGHT PROPERTY OF THE HARWIN GROUP AND MUST NOT BE DISCLOSED, LOANED, COPIED OR USED FOR MANUFACTURING, TENDERING OR FOR ANY OTHER PURPOSE WITHOUT THEIR WRITTEN PERMISSION.

TOLERANCES

X. = ±1mm
X.X = ±0.25mm
X.XX = ±0.10mm
X.XXX = ±0.01mm
ANGLES = ±5°
UNLESS STATED

MATERIAL:

SEE ABOVE

FINISH:

SEE ABOVE

S/AREA:

mm²

TITLE: 2.54mm PITCH DIL VERTICAL SKT ASSY DUAL ENTRY (PICK & PLACE, TAPE & REEL)

DRAWING NUMBER:

M20-787XX42R

SHT
4 OF 4