

Customer Information Sheet

DRAWING No.: D840XXB-XX

SHEET 2 OF 2

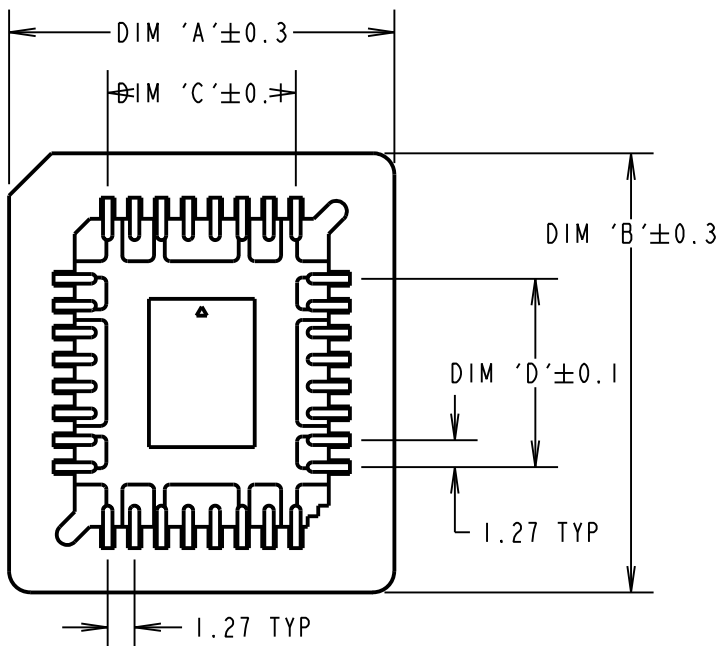
IF IN DOUBT - ASK

©

NOT TO SCALE

THIRD ANGLE PROJECTION

ALL DIMENSIONS IN mm



SPECIFICATION:

MATERIAL:

MOULDING = PPS (BROWN) UL94V-0

CONTACTS = PHOSPHOR BRONZE

FINISH:

46 = 100% TIN

ELECTRICAL:

CURRENT RATING = 1A

CONTACT RESISTANCE = 30mΩ MAX

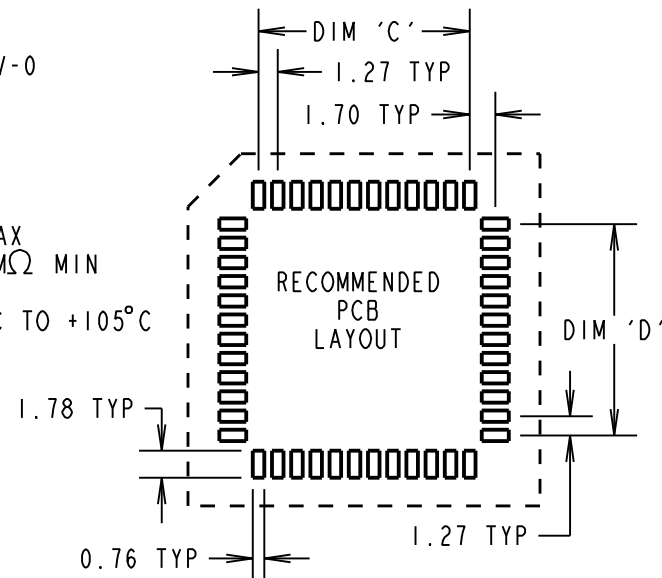
INSULATION RESISTANCE = 1000MΩ MIN

ENVIRONMENTAL:

OPERATING TEMPERATURE = -50°C TO +105°C

PACKING:

TUBE



NOTES:

- FOR ELECTRICAL AND MECHANICAL SPECIFICATION, SEE COMPONENT SPECIFICATION C020XX (LATEST ISSUE).
- ALL TOLERANCES ARE ±0.20 UNLESS OTHERWISE STATED.



No. OF CONTACTS	DIM 'A'	DIM 'B'	DIM 'C'	DIM 'D'
28	18.20	18.20	7.62	7.62
32	18.20	20.74	7.62	10.16
44	23.28	23.28	12.70	12.70
68	30.90	30.90	20.32	20.32
84	35.98	35.98	25.40	25.40

ORDER CODE:

D840XXB-XX

No. OF CONTACTS:

(SEE TABLE)

FINISH:

46 = 100% TIN

SB	6	24.05.12	11739
NAME	ISS.	DATE	C/NOTE
APPROVED: S.BENNETT			
CHECKED: M.PLESTED			
DRAWN: S.BENNETT			
CUSTOMER REF.:			
ASSEMBLY DRG:			

HARWIN

www.harwin.com
technical@harwin.com

THIS DRAWING AND ANY INFORMATION OR DESCRIPTIVE MATTER SET OUT HEREON ARE CONFIDENTIAL AND COPYRIGHT PROPERTY OF THE HARWIN GROUP AND MUST NOT BE DISCLOSED, LOANED, COPIED OR USED FOR MANUFACTURING, TENDERING OR FOR ANY OTHER PURPOSE WITHOUT THEIR WRITTEN PERMISSION.

TOLERANCES

X. = ±1mm
X.X = ±0.25mm
X.XX = ±0.10mm
X.XXX = ±0.01mm

ANGLES = ±5°

UNLESS STATED

MATERIAL:

SEE ABOVE

FINISH: SEE ABOVE

S/AREA:

mm²

TITLE:

LOW PROFILE
PLCC SOCKET
NON-POLARIZED

DRAWING NUMBER:

D840XXB-XX

SHT
2
OF
2