

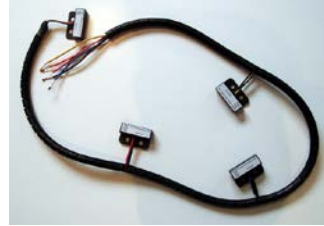
# The DEETER Group®



## Ferrous Proximity Switch



DELO10



Custom assemblies available

The Deeter Proximity switch, DEL010, can sense and switch contacts with the presence of steel or iron objects.

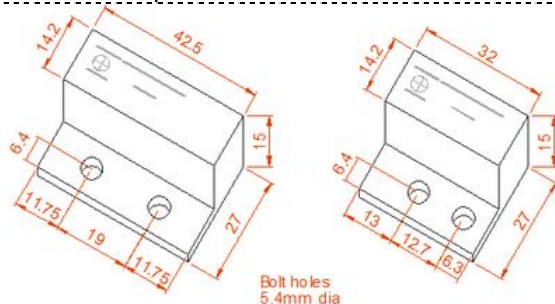
The switch does not require additional magnets and is completely sealed with epoxy resin.

The switch is completely passive and does not require any standby power.

This 2 wire device can switch signals or non inductive loads directly. See specification for maximum loads.

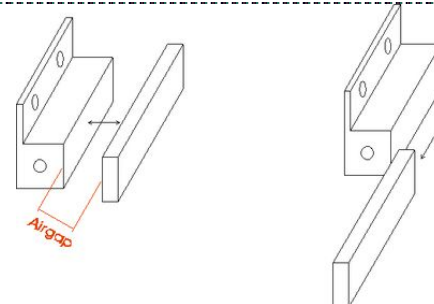
To assist fitting in confined spaces the 43mm case has centre or side cable entry and the 32mm case has base cable entry.

The switch can be purchased as a single sensor or more commonly as a custom sense loom to your requirements. Please call the sales office to discuss cable lengths and connectors options.



DE010-2-10A01  
DE010-2-10A02  
DE010-2-10A03

DE010-2-10A04



\* Airgap required may vary with different size and type of ferrous material used. Deeter recommends a mild steel plate 10mm wider than the sensor face for maximum range.

### Specification

<b>Maximum load</b>	0.5A	<b>Operating Temperature</b>	-5° to +70°C
<b>Maximum voltage</b>	100Vac/dc	<b>Environmental</b>	IP67.
<b>Maximum power</b>	10 Watts	<b>Life expectancy</b>	10 Operations
<b>Breakdown voltage</b>	200V	<b>Cable</b>	24/0.2mm PVC 1 Metre
<b>Switch form</b>	SPST Normally open	<b>Sensor to ferrous material airgap</b>	Contact make >5mm * Contact break <12mm*
<b>Dimensions (mm)</b>	Height 42.5 / 32 Depth 27 Width 14.2		

### Ordering Info

Description	Ordering Code
DEL010 Left side cable entry	DE010-2-10A01
DEL010 Right side cable entry	DE010-2-10A02
DEL010 Central cable entry	DE010-2-10A03
DEL010 Under side cable entry	DE010-2-10A04

All electrical equipment should be installed by a qualified electrician.

## DEETER ELECTRONICS LTD

Deeter House, Valley Road, Hughenden Valley, Bucks. HP14 4LW  
UK. Tel: 44 (0)1494 566 046 Fax: 44 (0)1494 563 961  
Email: sales@deeter.co.uk Website www.deeter.co.uk

Distributed by: