



# The DEETER Group®



## T66 Stainless Steel Load Cell

Cantilever beam load cell for harsh industrial environments  
*capacities 10kg to 300kg*



<b>Stainless steel load sensor</b>	<b>3000 divisions OIML R60 Class C</b>
<b>Hermetically sealed, fully welded construction</b>	<b>5 year warranty</b>
<b>Ease of installation</b>	<b>High integrity cable entry</b>
<b>Sealed to IP68</b>	<b>available in  and high temperature versions</b>

This fully welded stainless steel load cell is hermetically sealed to IP68 and can be used in the harshest industrial environments. It is suitable for weighing platforms, bag fillers, belt weighers and tank weighing in the Food Processing, Chemical, Pharmaceutical and general Bulk Handling industries.

T66 load cells are available with intrinsically safe certification ATEX EEx ia IIC T6 for both Dust and Gas in all zones. ATEX certification for use in dust zones 20, 21 and 22 without safety barriers is also available. For applications in aggressive environments where stress corrosion or acid attack is an issue, a special parylene coating can be specified as an option. High temperature variants for operation in environments up to 150°C are also available.

All electrical equipment should be installed by a qualified electrician.

### DEETER ELECTRONICS LTD

Deeter House, Valley Road, Hughenden Valley, Bucks. HP14 4LW  
UK. Tel: +44 (0)1494 566 046 Fax: +44 (0)1494 563 961  
Email: sales@deeter.co.uk Website www.deeter.co.uk

Distributed by:

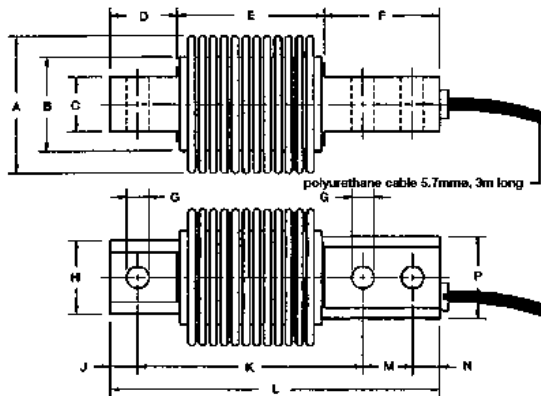


# The DEETER Group®



	Load Cell Capacities	Units
	10, 20, 50, 100, 150, 200, 250, 300	kg
Rated Output	2	mV/V±0.1%
Accuracy Class	3000	n.OIML
Combined Error	<±0.017	%*
Non-repeatability	<±0.015	%*
Creep (30 minutes)	<±0.016	%*
Temperature Effect on Zero Balance	<±0.002	%*/°C
Temperature Effect on Span	<±0.0012	%*/°C
Compensated Temperature Range	-10 to +40	°C
Operating Temperature Range	-20 to +50	°C
Safe Overload	150	%*
Ultimate Overload	200	%*
Zero Balance	<±1	%*
Input Resistance	400	Ω ± 20
Output Resistance	350	Ω ± 3
Insulation Resistance	>5000	MΩ @ 100v
Recommended Supply Voltage	10	V
Maximum Supply Voltage	15	V

*\*With respect to rated output*



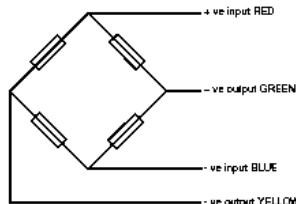
Range (kg)	aA	aB	C	D	E	F	aG	aH	J	K	L	M	N	aP
10 - 300	42	34	20	24.5	53.5	42	8.2	27	10	82	120	18	10	30

All dimensions in mm.

### Electrical Connections

Via 4 core, 3m, 5.7mm dia., screened polyurethane cable

Screen not connected electrically to load cell.



Nominal shipping weight = 1kg

### Construction

Load cell manufactured from 17-4PH stainless steel heat treated to H900 condition -1379N/mm<sup>2</sup> UTS.

### Options

Anti Vibration Loading Assembly  
LeverMount®Lite Loading Assembly  
Tension accessories

### Fitting/Mounting Options

#### LeverMount®Lite



All electrical equipment should be installed by a qualified electrician.

## DEETER ELECTRONICS LTD

Deeter House, Valley Road, Hughenden Valley, Bucks. HP14 4LW  
UK. Tel: +44 (0)1494 566 046 Fax: +44 (0)1494 563 961  
Email: sales@deeter.co.uk Website www.deeter.co.uk

Distributed by: